

Project Name:	Part Number:	Type:
---------------	--------------	-------

CONVERTAFLOOD - MEDIUM



407-478-3759
www.ilp-inc.com

FEATURES

- Architectural die cast aluminum housing available in Bronze (BRZ), Black (BLK) & White (WHT)
- Tempered glass lens and silicon gaskets
- Embedded Photocell
- NEMA 7x6 (HxV) Type Optic included, other options:
 - 5x5, 4x4 & 3x3
- Pushbutton convertible top provides toolless access:
 - Easily swap optics
 - Adjust lumen output via internal control
 - Photocell override switch
- Mounting:
 - CFM Housings = 1/2" Knuckle
- Hood & Wire Guard Kit options available
- 3ft Cord included
- 500HR Salt Spray Tested
- Vandal Resistant latch
- Ambient operating temp: -40°F - 104°F
- 4000K & 5000K std., contact factory for 3000K
- 120V-277V Universal Voltage
- IP66 Rated
- 5 Year Warranty
- ETL Wet Location Rated suitable for ground mounting
- DesignLights Consortium® Qualified Luminaire



SUITABLE APPLICATIONS

- Landscape
- Signage
- Flag Pole
- Spot and Flood Light
- Wall Wash
- Elevation Illumination

52WLED SYSTEMS INFO		4000K				5000K			
		7X6	5X5	4X4	3X3	7X6	5X5	4X4	3X3
Calculated L ₇₀ (TM-21) Hours		>100K	>100K	>100K	>100K	>100K	>100K	>100K	>100K
Delivered Lumens		6,285 lm	6,245 lm	6,276 lm	6,183 lm	6,655 lm	6,612 lm	6,645 lm	6,547 lm
Total Input Watts		57 W	57 W	57 W	57 W	57 W	57 W	57 W	57 W
Luminaire Efficacy Rating (LER)		111 lm/W	110 lm/W	110 lm/W	109 lm/W	117 lm/W	116 lm/W	117 lm/W	115 lm/W
Correlated Color Temperature (CCT)		4000K	4000K	4000K	4000K	5000K	5000K	5000K	5000K
Color Rendering Index (CRI)		>70	>70	>70	>70	>70	>70	>70	>70
Ambient Temperature Range		-40°F-104°F	-40°F-104°F	-40°F-104°F	-40°F-104°F	-40°F-104°F	-40°F-104°F	-40°F-104°F	-40°F-104°F
Universal Driver		100-277 V	100-277 V	100-277 V	100-277 V	100-277 V	100-277 V	100-277 V	100-277 V

LED System data above based on CFM-52W-U-40 & CFM-52W-U-50 / LED Lumen Maintenance Estimates based on TM-21 projections for the light source at 25°C ambient.

85WLED SYSTEMS INFO		4000K				5000K			
		7X6	5X5	4X4	3X3	7X6	5X5	4X4	3X3
Calculated L ₇₀ (TM-21) Hours		>100K	>100K	>100K	>100K	>100K	>100K	>100K	>100K
Delivered Lumens		10,630 lm	10,370 lm	8,895 lm	7,959 lm	11,160 lm	10,886 lm	9,236 lm	8,391 lm
Total Input Watts		85 W	85 W	86 W	85 W	86 W	86 W	86 W	86 W
Luminaire Efficacy Rating (LER)		125 lm/W	122 lm/W	103 lm/W	94 lm/W	130 lm/W	127 lm/W	107 lm/W	98 lm/W
Correlated Color Temperature (CCT)		4000K	4000K	4000K	4000K	5000K	5000K	5000K	5000K
Color Rendering Index (CRI)		>70	>70	>70	>70	>70	>70	>70	>70
Ambient Temperature Range		-40°F-104°F	-40°F-104°F	-40°F-104°F	-40°F-104°F	-40°F-104°F	-40°F-104°F	-40°F-104°F	-40°F-104°F
Universal Driver		100-277 V	100-277 V	100-277 V	100-277 V	100-277 V	100-277 V	100-277 V	100-277 V

LED System data above based on CFM-85W-U-40 & CFM-85W-U-50 / LED Lumen Maintenance Estimates based on TM-21 projections for the light source at 25°C ambient.

ORDERING GUIDE:

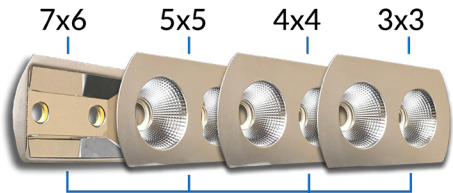
Series	Watts	Driver	Color	Finish	Options
CFM ConvertaFlood Medium	52W 85W	U 120-277V Driver	50K 40K	BRZ Bronze WHT White BLK Black	N33/M52 NEMA 3H x 3V N44/M52 NEMA 4H x 4V N44/M85 NEMA 4H x 4V N55/M NEMA 5H x 5V SP1 10kA Max Univolt Surge Protector HD/M/BRZ Hood Bronze HD/M/WHT Hood White HD/M/BLK Hood Black WG/M/BRZ Wire Guard Bronze WG/M/WHT Wire Guard White WG/M/BLK Wire Guard Black CF-TR/BRZ Tenon Reducer Cap Bronze CF-TR/WHT Tenon Reducer Cap White CF-TR/BLK Tenon Reducer Cap Black

DLC Premium includes:

CFM-52W-U-50-N76/M, CFM-52W-U-50-N55/M, CFM-52W-U-50-N44/M, CFM-85W-U-50-N33/M, CFM-85W-U-40-N76/M, CFM-85W-U-40-N55/M, CFM-85W-U-50-N76/M, CFM-85W-U-50-N55/M.

CONVERTAFLOOD - MEDIUM

INTERCHANGEABLE OPTICS

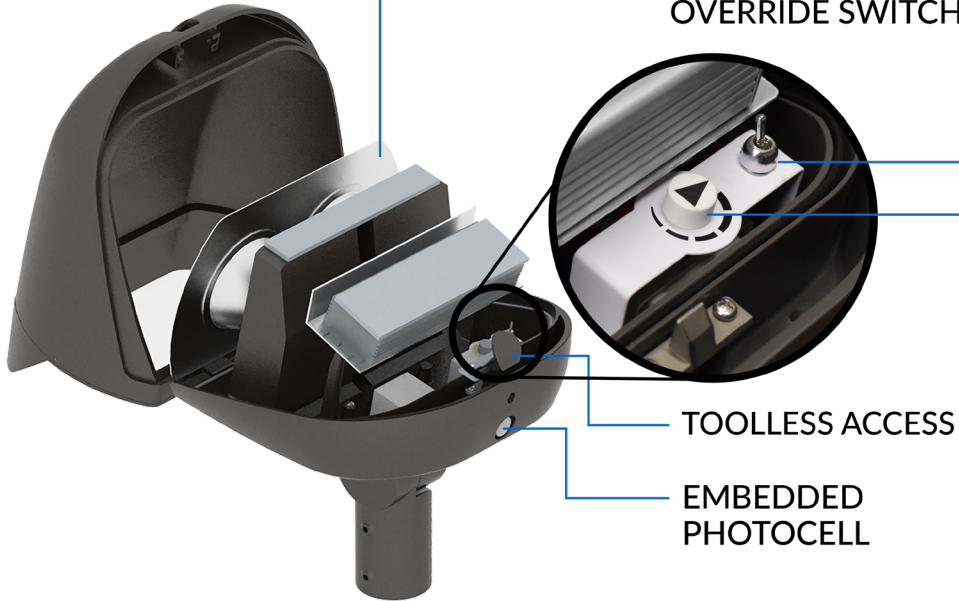


AVAILABLE IN:

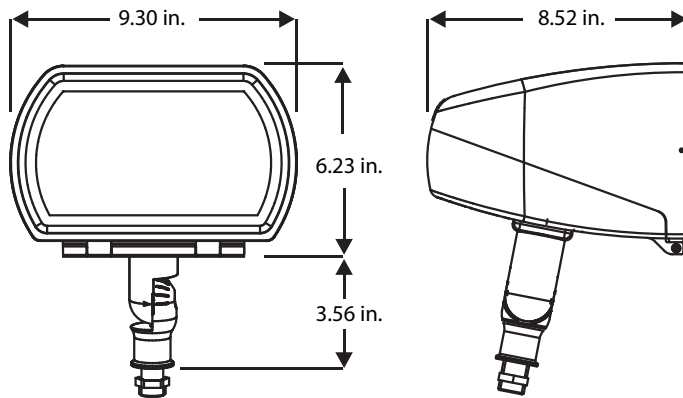


ADJUSTABLE DIMMER

PHOTOCELL OVERRIDE SWITCH



LINE DRAWING



MOUNTING OPTIONS

CF-TR - Tenon Reducer Cap Black

