

VAPOR TIGHT HIGH BAY RETROFIT KIT

HIGH BAY



FEATURES

- Easy Upgrade to LED
- Installs In Less Than 5 Mins.
- Reduce Power Consumption By 50%
- Durable Aluminum 1 Piece Kit
- Universal Voltage Driver
- Clear Acrylic, Frosted Acrylic, Or Polycarbonate Lens Options
- 0-10V Dimmable Driver (100%-10%)
- 5 Year Warranty
- ETL Listed
- DesignLights Consortium® Premium Qualified Luminaire



SUITABLE APPLICATIONS

- ILP Blizzard Series
- Lithonia FHE Series
- Cooper VT4 Series
- Columbia XEW4 Series
- Philips DayBrite CFI Series

REPLACES

3T5HO/4T8, 4T5HO/6T8, 6T5HO

LED SYSTEMS INFO	80W	80W FRAL	120W	120W FRAL	160W	160W FRAL
Calculated L ₇₀ (TM-21)	>100K	>100K	>100K	>100K	>100K	>100K
Delivered Lumens	12,884 lm	12,652 lm	16,500 lm	16,110 lm	23,110 lm	22,640 lm
Total Input Watts	84 W	84 W	116 W	117 W	160 W	160 W
Luminaire Efficacy Rating (LER)	154 lm/W	151 lm/W	142 lm/W	138 lm/W	144 lm/W	141 lm/W
Correlated Color Temperature (CCT)	5000K	5000K	5000K	5000K	5000K	5000K
Color Rendering Index (CRI)	>80	>80	>80	>80	>80	>80
Ambient Temperature Range	-40°F-130°F	-40°F-130°F	-40°F-130°F	-40°F-130°F	-40°F-125°F	-40°F-125°F
Universal Driver	120-277 V	120-277 V	120-277 V	120-277 V	120-277 V	120-277 V

LED System data above based on BLR-80WLED-UNIV-50, BLR-80WLED-UNIV-50-FRAL, BLR-120WLED-UNIV-50, BLR-120WLED-UNIV-50-FRAL, BLR-160WLED-UNIV-50, & BLR-160WLED-UNIV-50-FRAL
LED Lumen maintenance estimates based on TM-21 projections for the light source at 25°C ambient.

ORDERING GUIDE:

Series	Watts	Driver	Color	Options
BLR High Bay Retrofit	80WLED	UNIV 120-277V Driver	50	CAL
	120WLED		40	FRAL
	160WLED		35	PCL*
			30	WLOS
				USB
				BDxx
				BDxxPC
				EM5
				EM7
				EM10
				EM12
				LEDBBCT
				SD480
				SD347

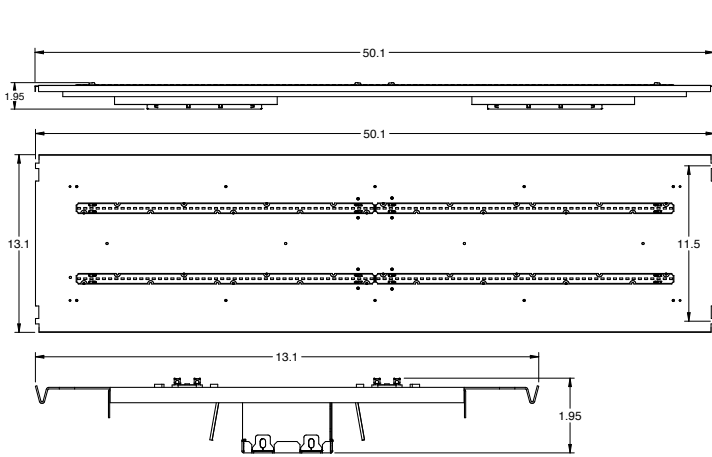
Clear Acrylic Lens
Frosted Acrylic Lens
Clear Polycarbonate Lens .125"
Wet Location Sensor
User Select Bi-level Dim w/ Occ. Sensor
Preset Bi-level Dim Sensor (xx=% eg. 20,30)
Preset Bi-level Dim Sensor w/ Photocell
5W LED Factory Installed Battery Backup
7W LED Factory Installed Battery Backup
10W LED Factory Installed Battery Backup
12W LED Factory Installed Battery Backup
-4°F Cold Temperature Battery Backup
480V Step Down Transformer
347V Step Down Transformer

*DLC Premium Listed Product, Not all versions of this product may be DLC Premium qualified. Please check the DLC Qualified Products List at www.designlights.org/QPL to confirm which versions are qualified.

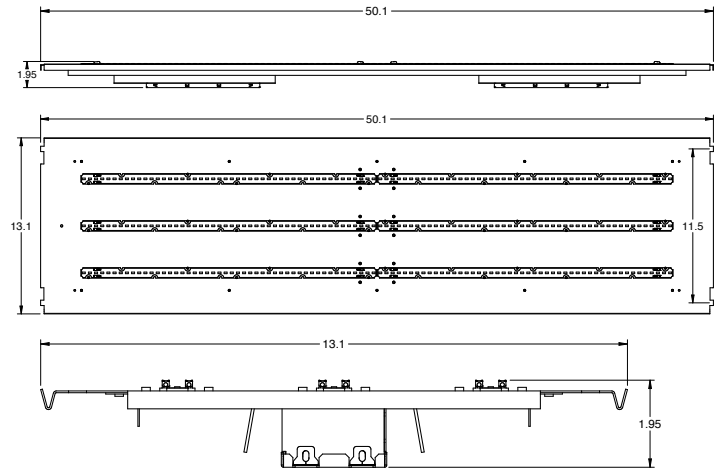
VAPOR TIGHT HIGH BAY RETROFIT KIT

HIGH BAY

LINE DRAWINGS

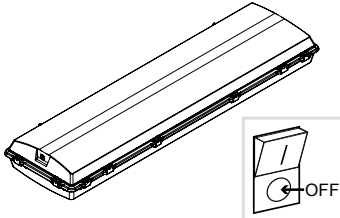
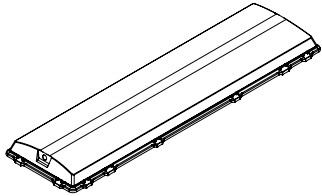
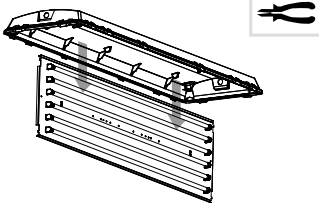
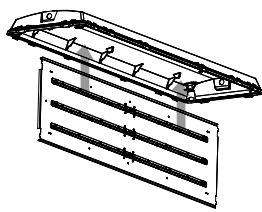
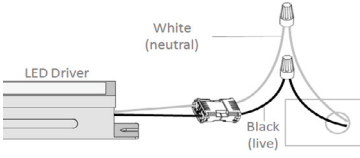
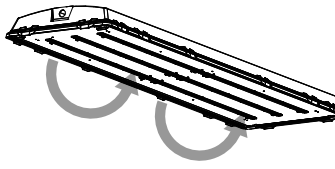
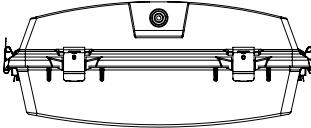
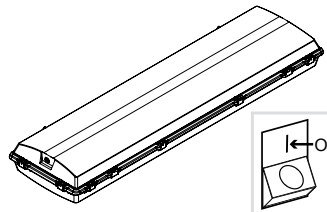


80W & 120W



160W

INSTALLATION INSTRUCTIONS

 <p>1 Shut off or disconnect power to fixture.</p>	 <p>2 Unhinge latches and remove the lens.</p>
 <p>3 Disconnect ballast and remove gear tray from fixture.</p>	 <p>4 Clip in Vapor Tight Retrofit Kit to two of the retainer clips.</p>
 <p>5 Connect the Retrofit Kit to AC power and ground.</p>	 <p>6 Rotate Vapor Tight Retrofit Kit up into the two remaining retainer clips.</p>
 <p>7 Reattach the lens to the fixture.</p>	 <p>8 Turn on or reconnect power to the fixture to complete the installation.</p>

VAPOR TIGHT HIGH BAY RETROFIT KIT

HIGH BAY

PHOTOMETRIC REPORTS

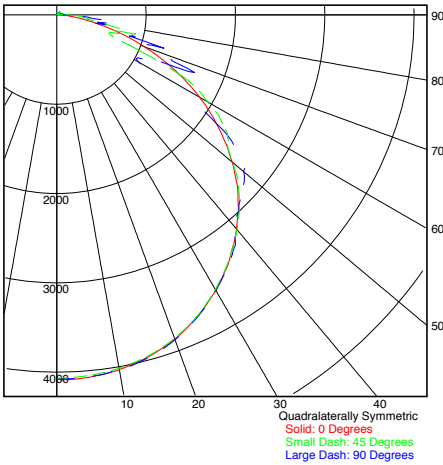
Photometric values based upon tests performed in compliance with LM-79. IES files can be downloaded at www.ilp-inc.com

BLR-80WLED-UNIV-50

SUMMARY DATA

HEMISPHERES TESTED:	BOTH
EFFICIENCY (Downlight):	98.8 %
EFFICIENCY (Uplight):	1.2 %
CIE CLASSIFICATION:	DIRECT
SPACING CRITERION (0-Deg.):	1.30
SPACING CRITERION (90-Deg.):	1.30
LUMENS:	12621.06
INPUT WATTS:	83.6

PLANE AND CONE DIAGRAM

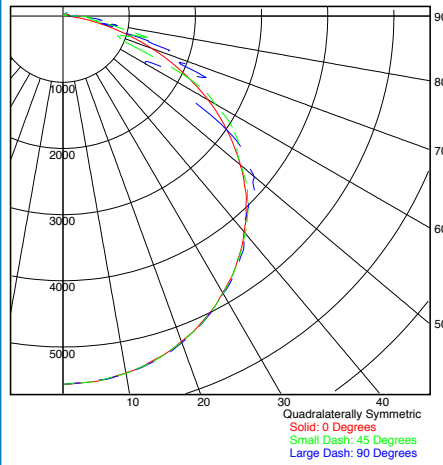


BLR-120WLED-UNIV-50

SUMMARY DATA

HEMISPHERES TESTED:	BOTH
EFFICIENCY (Downlight):	98.8 %
EFFICIENCY (Uplight):	1.2 %
CIE CLASSIFICATION:	DIRECT
SPACING CRITERION (0-Deg.):	1.29
SPACING CRITERION (90-Deg.):	1.30
LUMENS:	16504.36
INPUT WATTS:	116.5

PLANE AND CONE DIAGRAM

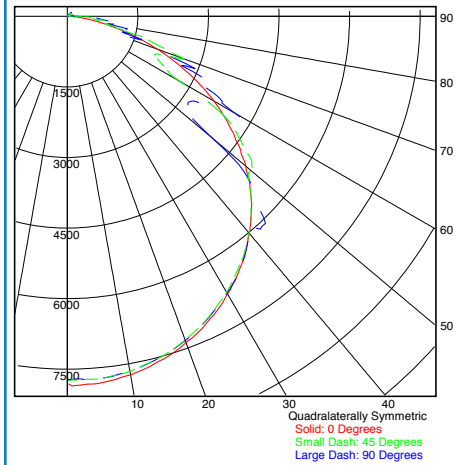


BLR-160WLED-UNIV-50

SUMMARY DATA

HEMISPHERES TESTED:	BOTH
EFFICIENCY (Downlight):	98.8 %
EFFICIENCY (Uplight):	1.2 %
CIE CLASSIFICATION:	DIRECT
SPACING CRITERION (0-Deg.):	1.30
SPACING CRITERION (90-Deg.):	1.30
LUMENS:	23107.21
INPUT WATTS:	160.29

PLANE AND CONE DIAGRAM

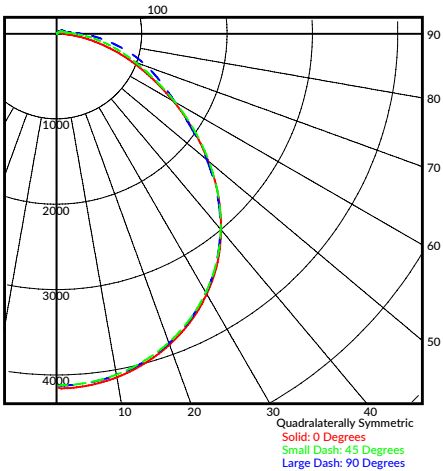


BLR-80WLED-UNIV-50-FRAL

SUMMARY DATA

HEMISPHERES TESTED:	BOTH
EFFICIENCY (Downlight):	96.9 %
EFFICIENCY (Uplight):	3.1 %
CIE CLASSIFICATION:	DIRECT
SPACING CRITERION (0-Deg.):	1.26
SPACING CRITERION (90-Deg.):	1.26
LUMENS:	11974.19
INPUT WATTS:	83.55

PLANE AND CONE DIAGRAM

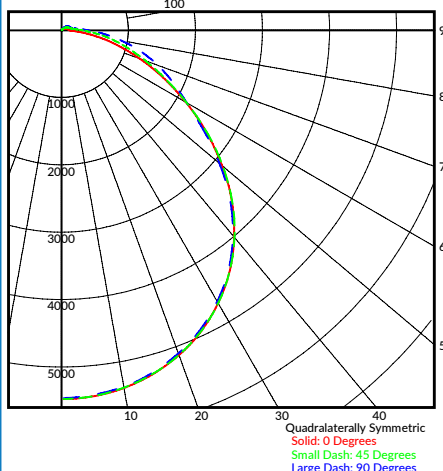


BLR-120WLED-UNIV-50-FRAL

SUMMARY DATA

HEMISPHERES TESTED:	BOTH
EFFICIENCY (Downlight):	96.5 %
EFFICIENCY (Uplight):	3.5 %
CIE CLASSIFICATION:	DIRECT
SPACING CRITERION (0-Deg.):	1.27
SPACING CRITERION (90-Deg.):	1.26
LUMENS:	16112.42
INPUT WATTS:	116.57

PLANE AND CONE DIAGRAM



BLR-160WLED-UNIV-50-FRAL

SUMMARY DATA

HEMISPHERES TESTED:	BOTH
EFFICIENCY (Downlight):	96.5 %
EFFICIENCY (Uplight):	3.5 %
CIE CLASSIFICATION:	DIRECT
SPACING CRITERION (0-Deg.):	1.26
SPACING CRITERION (90-Deg.):	1.26
LUMENS:	22646.54
INPUT WATTS:	160.13

PLANE AND CONE DIAGRAM

