

Project Name:	Part Number:	Type:
---------------	--------------	-------

BL

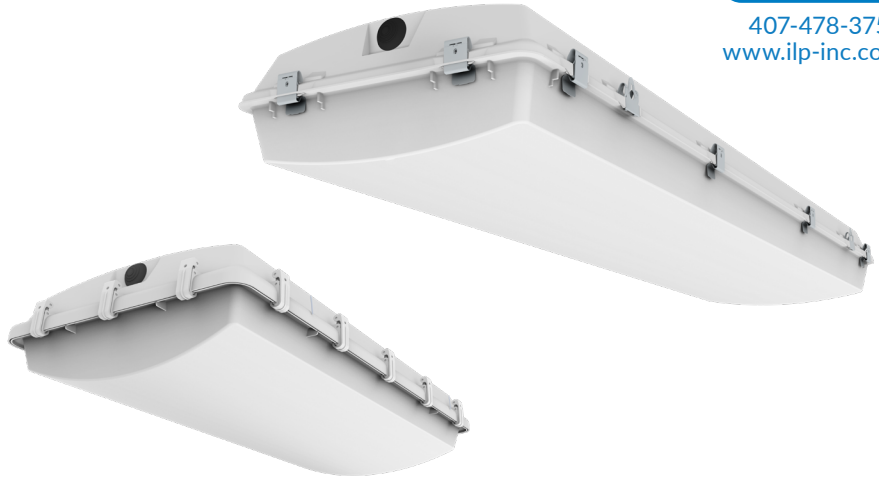
VAPOR TIGHT HIGH BAY



407-478-3759
www.ilp-inc.com

FEATURES

- Robust & Durable Wide Body Vapor Tight High Bay
- Industry Leading Max Ambient up to 140°F
- Ambient Range -40°F to 140°F (Select Models)
- Extremely High Efficacy up to 168 lm/W
- 2ft & 4ft Fixture Lengths
- Lumen Packages Ranging 12,000-40,000
- Wide & Best in Class Narrow Distribution Optics
- Surface, Pendant, or Suspended Mounting Options
- Wireless Grouping Controls Options
- IK10 Impact Rated Lens
- Fiberglass Body Attributes
- F1 Weatherability Rating, 1500 PSI High Pressure
Hosedown & 5VA Flame Rating
- IP65, IP66, IP67 & IP69 (2ft Only), NEMA4X, NSF
- 3000K-5000K CCT
- >80 Color Rendering Index (CRI)
- Calculated L70 >100,000 Hours
- 0-10V Dimmable Driver (100%-10%)
- 5 Year Warranty
- ETL Listed for Wet Locations
- DesignLights Consortium® Premium Qualified Luminaire



SUITABLE APPLICATIONS

- Coolers / Freezers
- Food & Beverage Preparation
- Industrial
- Hockey Rinks
- Saw Mills
- Education
- Healthcare

ORDERING GUIDE:

SERIES	LUMENS (select one)	DRIVER	CCT	LENS OPTIONS	DISTRIBUTION	TEMPERATURE ¹⁰
BL2 2ft Blizzard	12L	U 120-277V	50	CAL Clear Acrylic	BLANK Wide Distribution	BLANK Standard Ambient Temp
	18L		40	FRAL Frosted Acrylic	ND Narrow Distribution	HT High Ambient Temp
			35	PCL Clear Polycarbonate		
BL4 4ft Blizzard	12L		30	PFL ² Frosted Polycarbonate		
	18L		36L			
	24L		40L			

OPTIONS		CONTROLS	
Factory Installed		Basic	
SD347	347V Step Down Transformer	WLOS ^{5,7}	Wet Location On/Off Sensor Installed
SD480	480V Step Down Transformer	WLOSPC ^{5,7}	Wet Location On/Off Sensor w/ Photocell
SS	Stainless Steel Latches - standard on BL4	USBD ^{5,7}	User Select Bi-level Dimming Occ. Sensor
FI/ILBCP07 ⁸	7W Factory Installed Battery Backup	BDxx ^{5,7}	Preset Bi-Level Dim Sensor (xx=%eg.20,30)
FI/ILBCP07/HE ^{8,17}	7W Factory Installed Battery Backup	BDxxPC ^{5,7}	Preset Bi-level Dim Sensor w/ Photocell (xx=%eg.20,30)
FI/ILBCP10 ⁸	10W Factory Installed Battery Backup	MWS ^{4,6,7,9}	On/Off Microwave Sensor Installed Behind Lens
FI/ILBCP10/HE ^{8,17}	10W Factory Installed Battery Backup	MWUSBD ^{4,6,7,9,16}	User Selectable Bi-Level Dimming Microwave Sensor Installed Behind Lens
FI/ILBCP10/HE-SD ^{8,17}	10W Factory Installed Self-Diagnosing Battery Backup		
FI/ILBCP12 ⁸	12W Factory Installed Battery Backup	Advanced	
FI/ILBCP20 ^{3,8,17}	20W Factory Installed Battery Backup	ES/HB ^{4,5,14}	EasySense High-Bay Sensor
GTD ⁹	Factory Installed Generator Transfer Device	5S/HRW/IL ^{4,5}	Enlighted Ruggedized Individual Lighting (IL) Sensor w/ Control Unit
LEDBBCT ⁹	Factory Installed 10W Cold Temp Battery Backup	5S/HRW/CL ^{4,5}	Enlighted Ruggedized Connected Lighting (CL) Sensor w/ Control Unit
TPS	Tamper Proof Screws Installed	5S/HRW/IOT ^{4,5}	Enlighted Ruggedized Internet of Things (IOT) Sensor w/ Control Unit
SP10	10kA Surge Protector Installed	FSP-211B/L3 ^{5,7,15}	Legrand FSP-211 sensor for 20' mounting height
CORDW/xFT	Wet-location rated cord installed (xFT = Length)	FSP-211B/L7 ^{5,7,15}	Legrand FSP-211 sensor for 40' mounting height
CORDW/6FT/5WIRE	Wet-location rated 6ft 5-wire cord w/ 1 ground, 2 power, and 2 dimming leads	FSP-311B/L3 ^{5,7}	Legrand FSP-311 Bluetooth Programming sensor for 20' mounting height
		FSP-311B/L7 ^{5,7}	Legrand FSP-311 Bluetooth Programming sensor for 40' mounting height
3WMR ⁷	3-wire mini receptacle installed	Ship With Accessories	
3WMR/6 ⁷	3-wire mini receptacle installed with 6ft cord	ES/PCD ¹	EasySense Pre-Programmed Control Device
EMH1 ¹²	½" Hub installed on one end of housing for power entry	ES/IR ^{1,11}	EasySense Commissioning IR Blaster
EMH2 ¹³	½" Hub installed on both ends of housing for power entry	ES/WWS/DR	EasySense Dual Rocker Wireless Wall Switch
		FSIR-100 ¹	Programming Tool for FSP-211 sensor
		MW/RC ¹	Programming Tool for MWUSBD sensor

Mounting Options			
BL-RMBSS ^{5,20}	BL4 Rigid Mounting Beam for Surface or Dual Pendant Mounting	HUB 1/2 ¹⁸	Conduit Hub ½" For Dual Pendant Mount Only
BL2-RCMBKSS ^{5,21}	BL2 Center Bracket for Single Point Mounting	HUB 3/4 ¹⁹	Conduit Hub ¾" For Dual Pendant Mount Only
BL4-RCMBKSS ^{5,21}	BL4 Center Bracket for Single Point Mounting	HB-XX-18Y-PAD	Y-Toggle Cable System (xx = in)
SMB KIT BL	Surface Mount V-Clip Brackets		

¹One needed per project ³Doesn't qualify for NSF Standards ¹⁰Reference High Ambient Temperature Ratings by lumen package on page 3 ¹³Cannot be used w/ End Mounted sensor or power cord ¹⁸Must be used w/ RMBSS for dual pendant mounting
²Does not qualify for DLC ⁶IP67 Rated ¹¹Must be used with ES/PCD ¹⁴Must be used w/ ES/PCD & ES/IR for commissioning ¹⁹Must be used w/ BL-RMBSS & BL-RCMBKSS if single pendant mounting
⁹Not available on BL2 ⁷IP66 Rated ¹²Cannot be used in combination of End Mounted sensor & power cord ¹⁵Must be used with FSIR-100 for commissioning ²⁰Must be used w/ (2) HUB 1/2 if dual pendant mounting
⁴IP65 Rated ⁸Operating temp down to 32°F ¹⁷CEC Title 20 Compliant ²¹Use w/ BL-RMBSS & HUB 3/4 if single pendant mounting
⁵Operating temp down to -4°F

BL**VAPOR TIGHT HIGH BAY**

SYSTEMS INFO ¹	3000K		3500K		4000K		5000K		Watts ²	CRI	DLC Listings	Replaces
	Part Numbers	Lumens	Efficacy	Lumens	Efficacy	Lumens	Efficacy	Lumens				
BL2-12L-U-XX-CAL	12,062 lm	150 lm/W	12,465 lm	155 lm/W	12,887 lm	160 lm/W	13,150 lm	164 lm/W	80W	>80	Premium	250W MH, 4T8
BL2-12L-U-XX-CAL-ND	11,493 lm	142 lm/W	11,877 lm	147 lm/W	12,279 lm	152 lm/W	12,530 lm	155 lm/W	81W			
BL2-12L-U-XX-FRAL	11,869 lm	148 lm/W	12,124 lm	151 lm/W	12,534 lm	156 lm/W	12,790 lm	159 lm/W	80W			
BL2-12L-U-XX-FRAL-ND	11,271 lm	139 lm/W	11,422 lm	142 lm/W	11,809 lm	146 lm/W	12,050 lm	149 lm/W	81W			
BL2-12L-U-XX-PCL	11,980 lm	149 lm/W	12,238 lm	152 lm/W	12,652 lm	157 lm/W	12,910 lm	161 lm/W	80W			
BL2-12L-U-XX-PCL-ND	11,387 lm	141 lm/W	11,540 lm	143 lm/W	11,930 lm	148 lm/W	12,120 lm	150 lm/W	81W			
BL2-18L-U-XX-CAL	17,960 lm	147 lm/W	18,560 lm	152 lm/W	19,188 lm	157 lm/W	19,580 lm	160 lm/W	122W	>80	Premium	400W MH, 4T5HO, 6T8
BL2-18L-U-XX-CAL-ND	16,997 lm	140 lm/W	17,565 lm	145 lm/W	18,159 lm	150 lm/W	18,530 lm	153 lm/W	121W			
BL2-18L-U-XX-FRAL	17,364 lm	142 lm/W	17,944 lm	147 lm/W	18,551 lm	152 lm/W	18,930 lm	155 lm/W	122W			
BL2-18L-U-XX-FRAL-ND	16,410 lm	135 lm/W	16,958 lm	140 lm/W	17,532 lm	144 lm/W	17,890 lm	147 lm/W	122W			
BL2-18L-U-XX-PCL	17,478 lm	143 lm/W	18,063 lm	148 lm/W	18,674 lm	153 lm/W	19,055 lm	156 lm/W	122W			
BL2-18L-U-XX-PCL-ND	16,538 lm	135 lm/W	17,091 lm	140 lm/W	17,669 lm	145 lm/W	18,030 lm	148 lm/W	122W			
BL2-24L-U-XX-CAL	23,060 lm	145 lm/W	23,831 lm	150 lm/W	24,637 lm	155 lm/W	25,140 lm	158 lm/W	159W	>80	Premium	400W MH, 6T5HO
BL2-24L-U-XX-CAL-ND	22,611 lm	143 lm/W	23,366 lm	148 lm/W	24,157 lm	153 lm/W	24,650 lm	156 lm/W	158W			
BL2-24L-U-XX-FRAL	22,822 lm	144 lm/W	23,584 lm	149 lm/W	24,382 lm	154 lm/W	24,880 lm	157 lm/W	159W			
BL2-24L-U-XX-FRAL-ND	21,717 lm	138 lm/W	22,123 lm	140 lm/W	22,569 lm	143 lm/W	23,030 lm	146 lm/W	158W			
BL2-24L-U-XX-PCL	23,053 lm	145 lm/W	23,824 lm	150 lm/W	24,630 lm	155 lm/W	24,681 lm	158 lm/W	159W			
BL2-24L-U-XX-PCL-ND	22,077 lm	139 lm/W	22,697 lm	143 lm/W	23,465 lm	148 lm/W	23,944 lm	151 lm/W	159W			
BL4-12L-U-XX-CAL	12,145 lm	154 lm/W	12,550 lm	159 lm/W	12,975 lm	165 lm/W	13,240 lm	168 lm/W	79W	>80	Premium	250W MH, 4T8
BL4-12L-U-XX-CAL-ND	11,997 lm	152 lm/W	12,398 lm	157 lm/W	12,818 lm	163 lm/W	13,079 lm	166 lm/W	79W			
BL4-12L-U-XX-FRAL	11,787 lm	149 lm/W	12,181 lm	155 lm/W	12,593 lm	160 lm/W	12,850 lm	163 lm/W	79W			
BL4-12L-U-XX-FRAL-ND	11,156 lm	141 lm/W	11,529 lm	146 lm/W	11,919 lm	151 lm/W	12,162 lm	154 lm/W	79W			
BL4-12L-U-XX-PCL	11,989 lm	152 lm/W	12,389 lm	157 lm/W	12,809 lm	163 lm/W	13,070 lm	166 lm/W	79W			
BL4-12L-U-XX-PCL-ND	11,802 lm	150 lm/W	12,196 lm	155 lm/W	12,609 lm	160 lm/W	12,866 lm	163 lm/W	79W			
BL4-18L-U-XX-CAL	19,308 lm	148 lm/W	19,954 lm	153 lm/W	20,629 lm	158 lm/W	21,050 lm	161 lm/W	131W	>80	Premium	400W MH, 4T5HO, 6T8
BL4-18L-U-XX-CAL-ND	18,841 lm	146 lm/W	19,470 lm	151 lm/W	20,129 lm	156 lm/W	20,540 lm	159 lm/W	129W			
BL4-18L-U-XX-FRAL	18,740 lm	143 lm/W	19,366 lm	148 lm/W	20,021 lm	153 lm/W	20,430 lm	156 lm/W	131W			
BL4-18L-U-XX-FRAL-ND	17,520 lm	136 lm/W	18,105 lm	140 lm/W	18,718 lm	145 lm/W	19,100 lm	148 lm/W	129W			
BL4-18L-U-XX-PCL	19,061 lm	146 lm/W	19,698 lm	151 lm/W	20,364 lm	156 lm/W	20,780 lm	159 lm/W	131W			
BL4-18L-U-XX-PCL-ND	18,520 lm	143 lm/W	19,138 lm	148 lm/W	19,786 lm	153 lm/W	20,190 lm	157 lm/W	129W			
BL4-24L-U-XX-CAL	23,977 lm	151 lm/W	24,779 lm	156 lm/W	25,617 lm	162 lm/W	26,140 lm	165 lm/W	159W	>80	Premium	400W MH, 6T5HO
BL4-24L-U-XX-CAL-ND	23,686 lm	149 lm/W	24,478 lm	154 lm/W	25,306 lm	160 lm/W	25,823 lm	163 lm/W	159W			
BL4-24L-U-XX-FRAL	23,271 lm	147 lm/W	24,049 lm	152 lm/W	24,863 lm	157 lm/W	25,370 lm	160 lm/W	159W			
BL4-24L-U-XX-FRAL-ND	22,026 lm	139 lm/W	22,762 lm	144 lm/W	23,532 lm	148 lm/W	24,012 lm	151 lm/W	159W			
BL4-24L-U-XX-PCL	23,670 lm	149 lm/W	24,461 lm	154 lm/W	25,289 lm	159 lm/W	25,805 lm	163 lm/W	159W			
BL4-24L-U-XX-PCL-ND	23,301 lm	147 lm/W	24,079 lm	152 lm/W	24,894 lm	157 lm/W	25,402 lm	160 lm/W	159W			
BL4-30L-U-XX-CAL	31,618 lm	151 lm/W	32,675 lm	156 lm/W	33,781 lm	162 lm/W	34,470 lm	165 lm/W	209W	>80	Premium	575W MH, 10T8, 8T5HO
BL4-30L-U-XX-CAL-ND	28,105 lm	135 lm/W	29,044 lm	140 lm/W	30,027 lm	144 lm/W	30,640 lm	147 lm/W	208W			
BL4-30L-U-XX-FRAL	31,068 lm	148 lm/W	32,106 lm	154 lm/W	33,193 lm	159 lm/W	33,870 lm	162 lm/W	209W			
BL4-30L-U-XX-FRAL-ND	29,196 lm	140 lm/W	30,172 lm	145 lm/W	31,193 lm	150 lm/W	31,830 lm	153 lm/W	208W			
BL4-30L-U-XX-PCL	31,213 lm	149 lm/W	32,256 lm	154 lm/W	33,347 lm	160 lm/W	34,028 lm	163 lm/W	209W			
BL4-30L-U-XX-PCL-ND	30,726 lm	147 lm/W	31,753 lm	152 lm/W	32,827 lm	157 lm/W	33,497 lm	160 lm/W	209W			
BL4-36L-U-XX-CAL	35,874 lm	149 lm/W	37,073 lm	154 lm/W	38,328 lm	159 lm/W	39,110 lm	162 lm/W	241W	>80	Premium	750W MH, 10T8, 8T5HO
BL4-36L-U-XX-CAL-ND	33,563 lm	140 lm/W	34,684 lm	145 lm/W	35,858 lm	150 lm/W	36,590 lm	153 lm/W	240W			
BL4-36L-U-XX-FRAL	34,562 lm	143 lm/W	35,718 lm	148 lm/W	36,926 lm	153 lm/W	37,680 lm	156 lm/W	241W			
BL4-36L-U-XX-FRAL-ND	32,334 lm	135 lm/W	33,414 lm	139 lm/W	34,545 lm	144 lm/W	35,250 lm	147 lm/W	240W			
BL4-36L-U-XX-PCL	35,414 lm	147 lm/W	36,597 lm	152 lm/W	37,836 lm	157 lm/W	38,608 lm	159 lm/W	241W			
BL4-36L-U-XX-PCL-ND	34,862 lm	145 lm/W	36,027 lm	150 lm/W	37,246 lm	155 lm/W	38,007 lm	159 lm/W	241W			
BL4-40L-U-XX-CAL	38,929 lm	153 lm/W	40,230 lm	158 lm/W	41,591 lm	164 lm/W	42,440 lm	167 lm/W	254W	>80	Premium	1000W MH, 12T8, 10T5HO
BL4-40L-U-XX-CAL-ND	37,195 lm	146 lm/W	38,438 lm	151 lm/W	39,739 lm	156 lm/W	40,550 lm	159 lm/W	255W			
BL4-40L-U-XX-FRAL	38,066 lm	150 lm/W	39,339 lm	155 lm/W	40,670 lm	160 lm/W	41,500 lm	164 lm/W	254W			
BL4-40L-U-XX-FRAL-ND	35,608 lm	139 lm/W	36,798 lm	144 lm/W	38,044 lm	149 lm/W	38,820 lm	152 lm/W	255W			
BL4-40L-U-XX-PCL	38,429 lm	151 lm/W	39,714 lm	156 lm/W	41,058 lm	162 lm/W	41,896 lm	165 lm/W	254W			
BL4-40L-U-XX-PCL-ND	37,830 lm	149 lm/W	39,094 lm	154 lm/W	40,418 lm	159 lm/W	41,243 lm	162 lm/W	254W			

¹Values are nominal, see IES file for more detail²Electrical data at 25C (77F). Actual wattage may differ by +/-10%.

AMBIENT TEMPERATURE RANGE

Part Numbers	Suspended (18 in.)		Surface Mount	
	Standard	High-Temp	Standard	High-Temp
BL2-12L-U-XX-CAL	122°F	131°F	113°F	122°F
BL2-18L-U-XX-CAL	113°F	122°F	104°F	113°F
BL2-24L-U-XX-CAL	104°F	113°F	90°F	99°F
BL4-12L-U-XX-CAL	131°F	140°F	122°F	131°F
BL4-18L-U-XX-CAL	131°F	140°F	122°F	131°F
BL4-24L-U-XX-CAL	125°F	131°F	114°F	120°F
BL4-30L-U-XX-CAL	122°F	131°F	111°F	120°F
BL4-36L-U-XX-CAL	122°F	131°F	111°F	120°F
BL4-40L-U-XX-CAL	113°F	122°F	102°F	111°F

SPECIFICATIONS

CONSTRUCTION

Injection molded one piece 5VA rated fiberglass body with chemical resistant finish for rigidity, durability and prolonged life in rough environments. F1 weatherability and 1500 PSI hosedown rated housing. Toolless hinged removable gear tray for quick and easy access to electrical. Captive latches fastened to housing to safely secure lens to housing. Designed to achieve maximum performance and improved aesthetics.

ELECTRICAL

Class 2 LED light engine for high efficacy and long life. Calculated L70 > 100,000hrs. LED Lumen Maintenance Estimates based on TM-21 projections for the light source at 25°C ambient. Power Factor > 0.90. Standard 120-277 Vac 0-10V dimmable (10% - 100%) with optional 347V - 480Vac step down transformer. Optional emergency battery backups and generator transfer device available to meet critical life safety lighting requirements. Fixture reduced maximum ambient for emergency battery backup and step down options.

INSTALLATION

Designed for a variety of mounting applications including surface, single and dual pendant, and suspended. Pre-drilled holes on each side of fixture for electrical access and wiring. Holes plugged from factory with rubber IP rated seal. 1/2" HUBs available for threaded power entry from both ends. Toolless hinged removable gear tray for quick and easy access to electrical.

WARRANTY

5 Year Warranty (Terms and Conditions apply)

OPTICS

Robust injection molded and impact resistant PMMA lens options for durability and LED glare reduction. Standard Clear Acrylic and optional Frosted Acrylic, Clear & Frosted Polycarbonate lens options available. All lens options are IK10 rated; highest impact rating available. Field removeable lens for easy access to LED boards, drivers & maintenance.

THERMAL

Ambient temperature range -40°F up to 140°F (-40°C to 60°C) on select models with high ambient temperature options. Fixture to be mounted at a minimum plenum height of 18" for suspended mounting. Reduced maximum ambient for surface mounting. Reference High Ambient Temperature Ratings by lumen package on page (3) for more detail.

CONTROLS

Factory installed Advanced & Basic integral occupancy sensor options available. Fully control light levels for both occupied and unoccupied areas with user selectable bi-level dimming options to meet critical life safety lighting requirements. Advanced controls available for grouping capabilities & BAS operation. See controls page for more detail (pg. 4).

CERTIFICATIONS

ETL Listed to US and Canadian safety standards. Suitable for Wet Locations. American Recovery and Reinvestment Act Funding Compliant. BAA Compliant. IP65, IP66, IP67, & IP69 Rated. NSF Listed. NEMA 4X Rated. 1500 PSI Hose Down Rated. DLC (DesignLights Consortium) Premium Qualified. Please refer to the DLC Qualified Products List at www.Designlights.org/QPL to confirm specific product qualifications.

CONTROLS OPTIONS

BASIC

WLOS

Standard on/off wet location rated PIR occupancy sensor. Comes with 360 degree high bay lens. Sensor mounted off end of fixture.

WLOSPC

Standard on/off wet location rated PIR occupancy sensor with photocell control. When installed, fixture will not activate unless 1. motion is detected and 2. light levels are below the preset level. When activated, fixture will turn on to 100% light output and will only shut off when one of the two levels listed above are met. If no motion is detected and light levels fall below preset level the fixture remains off. Sensor mounted off end of fixture.

USBD

User Selectable Bi-Level Dimming wet location rated PIR occupancy sensor. Allows the end user to manually select the unoccupied dimming level. Once motion is detected, the fixture will return to 100% light output. Sensor mounted off end of fixture.

BDxx

Factory set Bi-Level Dimming wet location rated PIR occupancy sensor. Sensor is set to dim level, as indicated in the "xx" portion of the part number, when the area is unoccupied. Example: BD20 sets the fixture to dim down to 20% lumen output when the area is unoccupied. Once motion is detected, the fixture will return to 100% light output. Sensor mounted off end of fixture.

BDxxPC

Factory set Bi-Level Dimming wet location rated PIR occupancy sensor with photocell. Sensor is set to dim level as indicated in the "xx" portion of the part number, when the area is unoccupied and will not return to 100% light output unless 1. motion is detected and 2. the light level is below the preset level. Example: BD20PC sets the fixture to dim down to 20% lumen output when the area is unoccupied and will not return to 100% light output unless the above conditions are met for both motion light level readings. Sensor mounted off end of fixture.

MWS

Standard on/off wet location rated microwave occupancy sensor. Sensor installed on LED gear tray behind lens.

MWUSBD

User Selectable Bi-Level Dimming wet location rated microwave occupancy sensor. Allows the end user to manually select the unoccupied dimming level. Once motion is detected, the fixture will return to 100% light output. Requires use of MW/RC programming tool; one needed per project. Sensor installed on LED gear tray behind lens.

ADVANCED

Philips ES/HB

EasySense wet location rated PIR occupancy sensor combines occupancy sensing, daylight harvesting and institutional tuning in one solution. This is an ideal control for any high bay location. Each device allows you to turn on/off occupancy and/or daylight harvesting functions as well as set the full light output, background light level, occupancy prolong time, occupancy grace fading time and occupancy time out/hold time. Requires use of EasySense Pre-Programmed Control Device (ES/PCD) and Commissioning IR Blaster (ES/IR); one of each needed per project. Sensor mounted off end of fixture.

Legrand FSP-211B

FSP-211 wet location rated PIR occupancy sensor offers fully adjustable high and low dimmed light levels with optional photocell. Hold off setpoint with automatic calibration option. Adjustable time delay and cut off delay. Sensor adjustable programming with handheld wireless configuration tool; FSIR-100 - One needed per project. Sensor mounted off end of fixture.

Legrand FSP-311B

FSP-311 wet location rated PIR occupancy sensor offers fully adjustable high and low dimmed light levels with optional photocell. Hold off setpoint with automatic calibration option. Adjustable time delay and cut off delay. Sensor adjustable programming via iOS or Android 'Sensor Configuration' App. Sensor mounted off end of fixture.

Enlighted 5S/HRW/IL

Enlighted wet location rated PIR occupancy sensor bundled system with 5E sensor (SU-5S-HRW-IL), Control Unit (CU-4E-FM) and Cable (CBL-5E-CU4-30N). Fixtures are controlled based on occupancy and ambient light. Includes ability to group fixtures together and connect to a wireless wall switch to zone fixtures for group operation. Provided factory installed components only. Inquire for Enlighted system. Inquire with factory for customer supplied factory installed components. Contact factory for more information. Sensor mounted off end of fixture.

Enlighted 5S/HRW/CL

Enlighted wet location rated PIR occupancy sensor bundled system with 5E sensor (SU-5S-HRW-CL), Control Unit (CU-4E-FM) and Cable (CBL-5E-CU4-30N). Fixtures are controlled based on occupancy and ambient light. Includes individual lighting attributes plus connection to Enlighted Energy Manager. The Energy Manager provides data analysis for all data collected by the Enlighted Smart Sensors for energy, occupancy and environment. Inquire for Enlighted system. Inquire with factory for customer supplied factory installed components. Contact factory for more information. Sensor mounted off end of fixture.

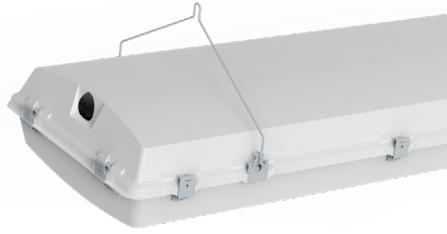
Enlighted 5S/HRW/IOT

Enlighted wet location rated PIR occupancy sensor bundled system with 5E sensor (SU-5S-HRW-IOT), Control Unit (CU-4E-FM) and Cable (CBL-5E-CU4-30N). Fixtures are controlled based on occupancy and ambient light. Includes individual lighting attributes plus connection to Enlighted Energy Manager. The Energy Manager provides data analysis for all data collected by the Enlighted Smart Sensors for energy, occupancy and environment. Additionally, the IOT functionality takes the data access and function beyond just lighting to a wide range of applications beyond the standard connected lighting controls. Inquire for Enlighted system. Inquire with factory for customer supplied factory installed components. Contact factory for more information. Sensor mounted off end of fixture.

BL

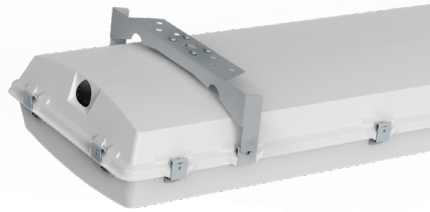
VAPOR TIGHT HIGH BAY

MOUNTING OPTIONS



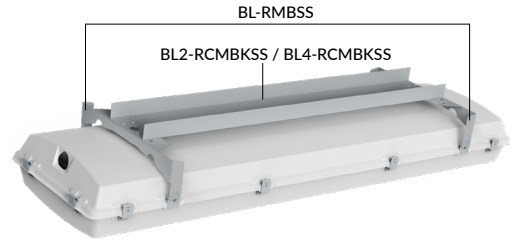
V-HOOKS

Provided standard for dual point chain or cable hanging



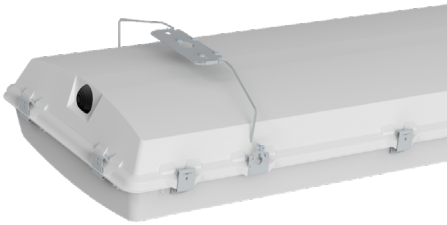
BL-RMBSS

Stainless Steel Rigid Mounting Beam for secure surface mounting or dual pendant mounting. (Two 1/2" Conduit Hubs required for dual pendant mounting, sold separately)



BL2-RCMBKSS / BL4-RCMBKSS

Stainless Steel Rigid Mounting Bracket for Single Point Mounting. Must be used in combination of BL-RMBSS and HUB 3/4 (One 3/4" Conduit Hub required for single point mounting, sold separately)



SMB KIT BL

Surface Mount V-Clip Brackets provides a 2" space above the fixture



HB-XXX-18Y-PAD

Includes 2 adjustable cable hangers. Available in 60", 120", 180" & 240"



HUB 1/2 & HUB 3/4

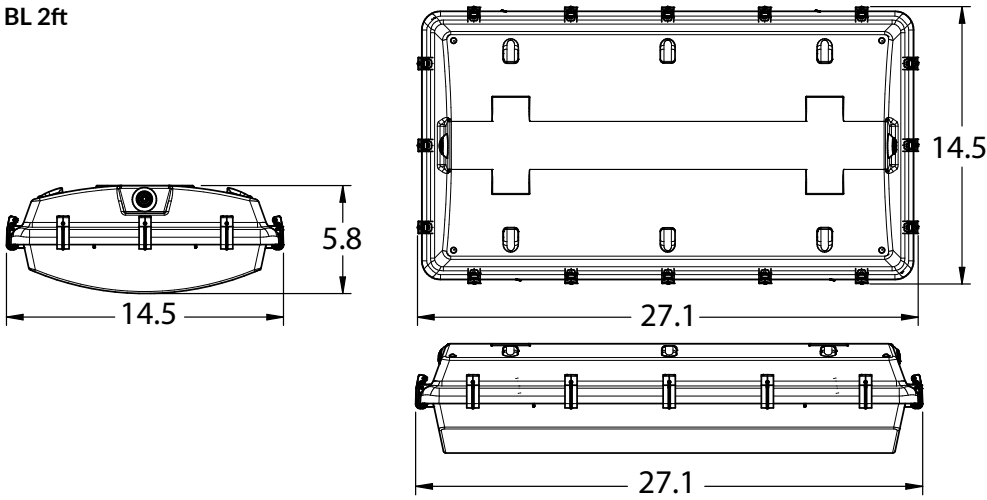
HUB 1/2 - 1/2" Conduit Hub for Dual Pendant Mounting. Requires use of BL-RMBSS.
HUB 3/4 - 3/4" Conduit Hub for Single Pendant Mounting. Requires use of BL-RCMBKSS and BL-RMBSS.

BL

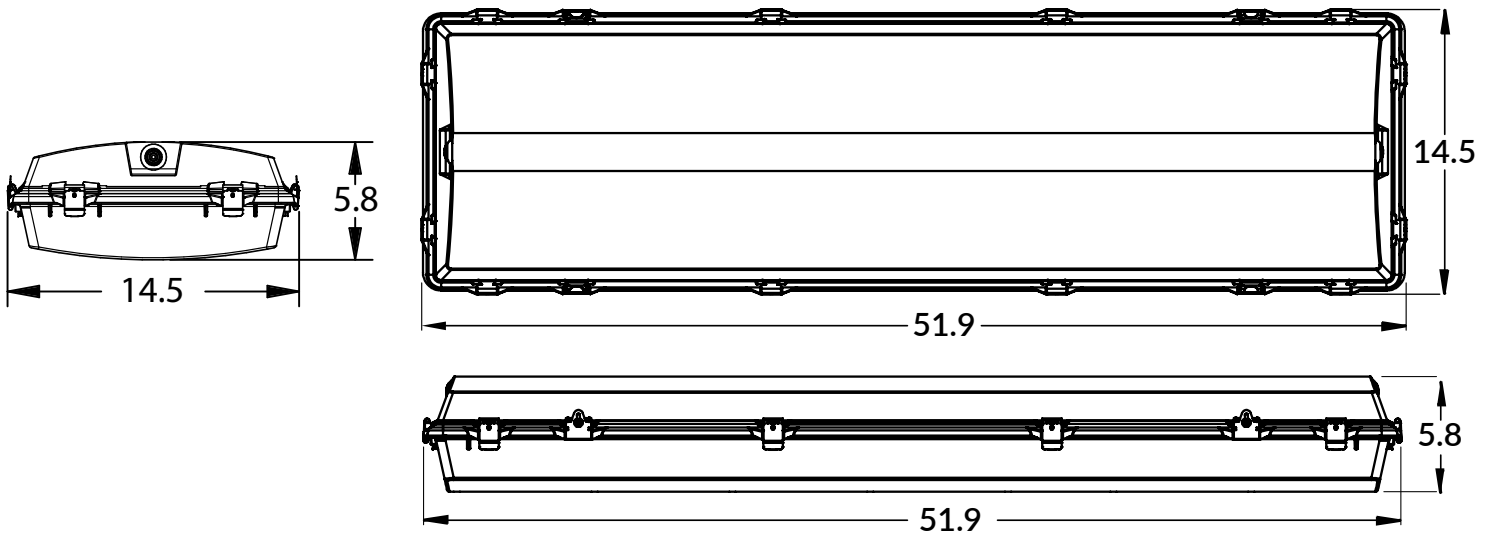
VAPOR TIGHT HIGH BAY

LINE DRAWING

BL 2ft



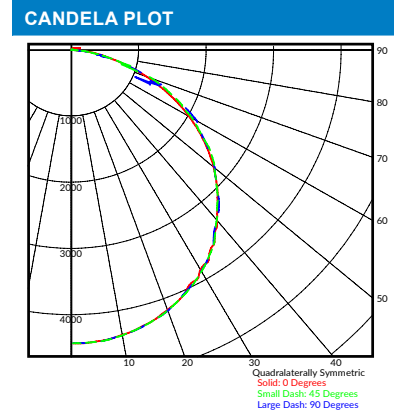
BL 4ft



BL**VAPOR TIGHT HIGH BAY****PHOTOMETRIC DATA**

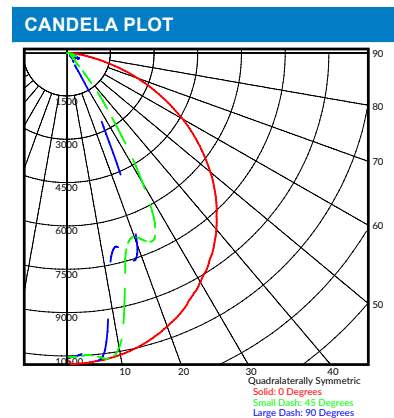
LUMINAIRE DATA	
Part Number	BL2-12L-U-50-CAL
Description	2ft Blizzard, 13,000 Lumens, Clear Acrylic Lens
Fixture Lumens (lm)	13,144 lm
Wattage (W)	80 W
Efficacy (lm/W)	164 lm/W
Mounting	Suspended
Spacing Criteria	0° = 1.30, 90° = 1.29

ZONAL LUMEN SUMMARY		
Zone	Lumens (lm)	% Fixture
0° - 40°	5,787	44%
0° - 60°	10,345	79%
0° - 90°	13,060	99%
90° - 180°	84	0%
0° - 180°	13,144	100%



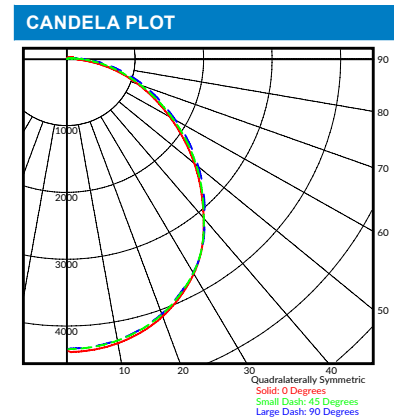
LUMINAIRE DATA	
Part Number	BL2-12L-U-50-CAL-ND
Description	2ft Blizzard, 13,000 Lumens, Clear Acrylic Lens, Narrow Distribution
Fixture Lumens (lm)	12,223 lm
Wattage (W)	80 W
Efficacy (lm/W)	152 lm/W
Mounting	Suspended
Spacing Criteria	0° = 1.29, 90° = 0.77

ZONAL LUMEN SUMMARY		
Zone	Lumens (lm)	% Fixture
0° - 40°	8,549	70%
0° - 60°	11,158	91%
0° - 90°	12,223	100%
90° - 180°	0	0%
0° - 180°	12,223	100%



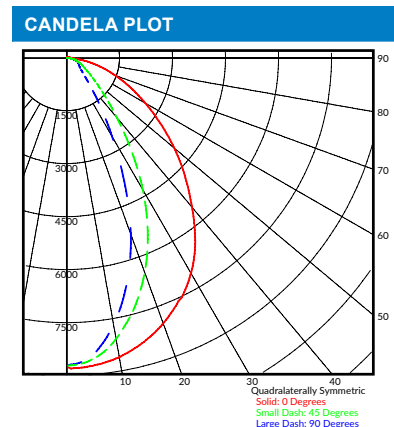
LUMINAIRE DATA	
Part Number	BL2-12L-U-50-FRAL
Description	2ft Blizzard, 13,000 Lumens, Frosted Acrylic Lens
Fixture Lumens (lm)	12,790 lm
Wattage (W)	80 W
Efficacy (lm/W)	159 lm/W
Mounting	Suspended
Spacing Criteria	0° = 1.26, 90° = 1.26

ZONAL LUMEN SUMMARY		
Zone	Lumens (lm)	% Fixture
0° - 40°	5,555	44%
0° - 60°	9,641	75%
0° - 90°	12,492	98%
90° - 180°	292	2%
0° - 180°	12,790	100%



LUMINAIRE DATA	
Part Number	BL2-12L-U-50-FRAL-ND
Description	2ft Blizzard, 13,000 Lumens, Frosted Acrylic Lens, Narrow Distribution
Fixture Lumens (lm)	12,050 lm
Wattage (W)	81 W
Efficacy (lm/W)	149 lm/W
Mounting	Suspended
Spacing Criteria	0° = 1.20, 90° = 0.74

ZONAL LUMEN SUMMARY		
Zone	Lumens (lm)	% Fixture
0° - 40°	7,685	64%
0° - 60°	10,466	88%
0° - 90°	11,820	99%
90° - 180°	129	1%
0° - 180°	11,949	100%



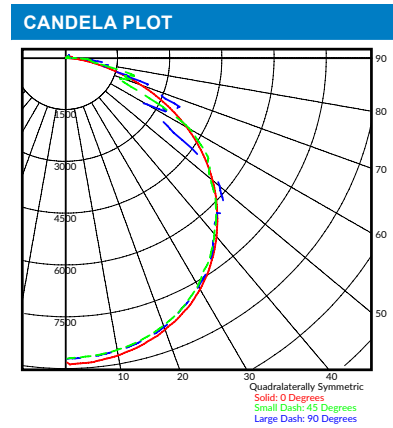
BL

VAPOR TIGHT HIGH BAY

PHOTOMETRIC DATA

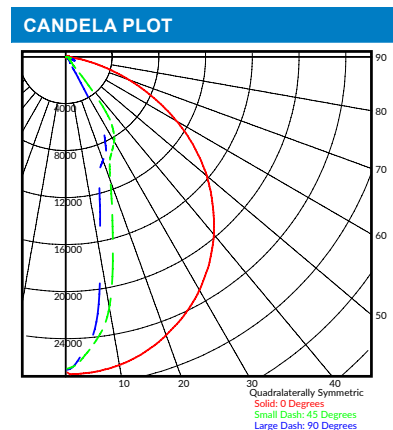
LUMINAIRE DATA	
Part Number	BL4-24L-U-50-CAL
Description	4ft Blizzard, 26,000 lumens, clear acrylic lens
Fixture Lumens (lm)	26,140 lm
Wattage (W)	159 W
Efficacy (lm/W)	165 lm/W
Mounting	Suspended
Spacing Criteria	0° = 1.30, 90° = 1.29

ZONAL LUMEN SUMMARY		
Zone	Lumens (lm)	% Fixture
0° - 40°	11,449	44%
0° - 60°	20,380	78%
0° - 90°	25,728	98%
90° - 180°	409	2%
0° - 180°	26,138	100%



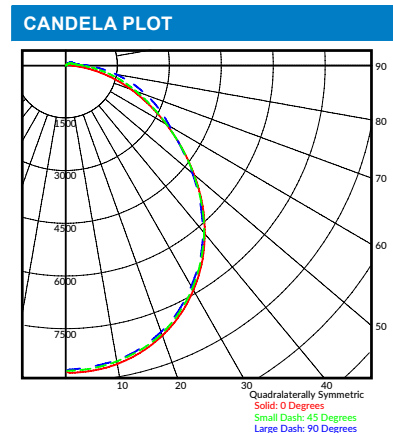
LUMINAIRE DATA	
Part Number	BL4-24L-U-50-CAL-ND
Description	4ft Blizzard, 26,000 lumens, clear acrylic lens with narrow distribution
Fixture Lumens (lm)	25,823 lm
Wattage (W)	159 W
Efficacy (lm/W)	163 lm/W
Mounting	Suspended
Spacing Criteria	0° = 1.28, 90° = 0.43

ZONAL LUMEN SUMMARY		
Zone	Lumens (lm)	% Fixture
0° - 40°	17,123	69%
0° - 60°	22,460	91%
0° - 90°	24,693	100%
90° - 180°	106	0%
0° - 180°	25,823	100%



LUMINAIRE DATA	
Part Number	BL4-24L-U-50-FRAL
Description	4ft Blizzard, 25,000 lumens, frosted acrylic lens
Fixture Lumens (lm)	25,370 lm
Wattage (W)	159 W
Efficacy (lm/W)	160 lm/W
Mounting	Suspended
Spacing Criteria	0° = 1.26, 90° = 1.24

ZONAL LUMEN SUMMARY		
Zone	Lumens (lm)	% Fixture
0° - 40°	11,050	44%
0° - 60°	19,024	75%
0° - 90°	24,505	97%
90° - 180°	865	3%
0° - 180°	25,370	100%



LUMINAIRE DATA	
Part Number	BL4-24L-U-50-FRAL-ND
Description	4ft Blizzard, 24,000 lumens, frosted acrylic lens with narrow distribution
Fixture Lumens (lm)	24,012 lm
Wattage (W)	159 W
Efficacy (lm/W)	151 lm/W
Mounting	Suspended
Spacing Criteria	0° = 1.19, 90° = 0.64

ZONAL LUMEN SUMMARY		
Zone	Lumens (lm)	% Fixture
0° - 40°	15,438	65%
0° - 60°	20,960	88%
0° - 90°	23,485	99%
90° - 180°	269	1%
0° - 180°	24,012	100%

