

4-Light Matte Black Caged Pendant

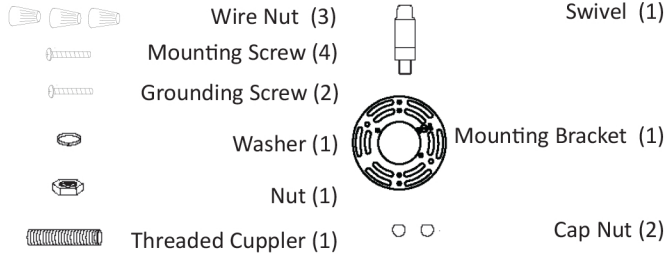
TOOLS AND MATERIALS REQUIRED



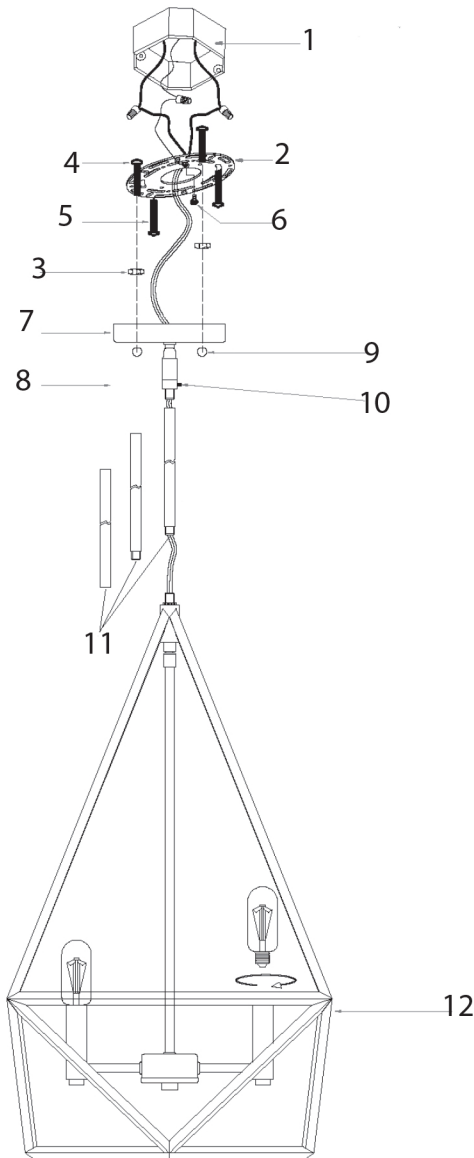
Phillips Head Screwdriver

Pliers

PARTS BAG



PRODUCT ILLUSTRATION



SAFETY INFORMATION AND PREPARATION

To reduce the risk of electric shock, ensure electricity has been turned off at the circuit breaker or fuse box before beginning. All electrical connections must be in accordance with local and National Electrical Code (N.E.C.) standards. All installation work should be done by an accredited professional. Use only the specified bulbs. Do not exceed the maximum wattage.

NOTE- The fixture body is pre-assembled. Remove all of the contents from the carton. See the important notes above. Make sure that no parts are missing by referencing the parts pack and content list.

1. ASSEMBLY

A. From the parts bag remove the mounting bracket assembly. Then attach one end of the canopy to mounting bracket with included screws/nuts as shown in illustration. The side of the mounting bracket marked "GND" must face out.

A1. ROD VARIATION

- Find the rods in the packaging and start threading the wire through the first rod and screw it onto the fixture before threading through the second rod. Repeat this step until a desired height is reached. Set aside the fixture.
- Attach the swivel to canopy facing down per illustration. Now, hold fixture with connected rods and attach rod top to swivel with threaded coupler and adjust as needed. Continue to step 2.

A2. CHAIN VARIATION

- If using chain, remove swivel and set aside. Instead, attach first chain loop to the fixture top and second chain loop to canopy bottom with threaded couplers.
- Thread the wire through every fourth link. Use pliers to attach chain ends to each of the chain loops and continue to step 2.

2. CONNECTING THE WIRES

- Connect the black supply wire to black fixture wire, white supply wire to white fixture wire. Connect the fixture ground wire with wire nut. Wrap all wire connections with electrical tape for secure connection.
- After wires are connected, tuck them carefully inside the junction box. Place the mounting bracket over the junction box and feed fixture screws through two holes of the fixture mounting bracket until they protrude out from the back plate approximately 1/4" and secure with two cap nuts.
- Raise canopy to the ceiling/wall and secure screws attaching canopy to junction box as shown in illustration.
- Install light bulbs (not included) in accordance with the fixture's specifications.

3. FINISHING THE INSTALLATION

- Match the threaded holes of mounting bracket to the spacing of the holes on the junction box as shown in illustration.
- Restore power at the circuit breaker and turn light switch on to activate this fixture.

Care and maintenance- Use damp and clean cloth to wipe the surface of the fixture.

Contact seller with any further questions regarding warranty or damaged product. Contact a licensed electrical professional for assistance with junction box or connection issues

CONTENTS LIST

- | | | |
|---------------------|--------------------|----------------------|
| 1. JUNCTION BOX | 5. MOUNTING SCREW | 9. CAP NUT |
| 2. MOUNTING BRACKET | 6. GROUNDING SCREW | 10. THREADED CUPPLER |
| 3. NUT | 7. CANOPY | 11. FIXTURE RODS |
| 4. MOUNTING SCREW | 8. SWIVEL | 12. FIXTURE |

REPLACEMENT BULB

1 x 60W (E27) Bulb