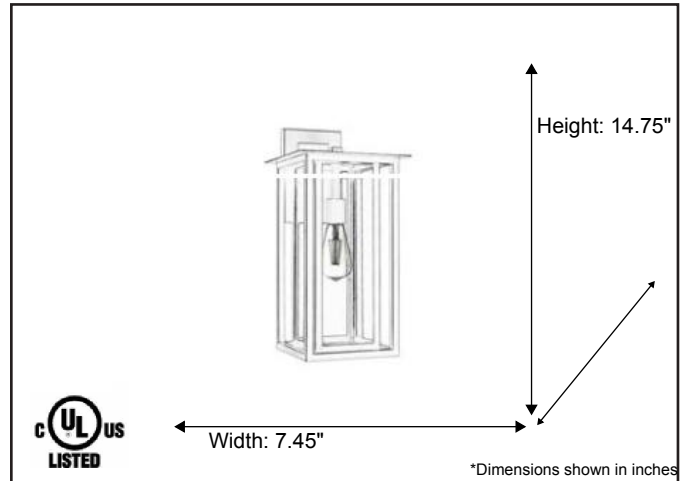


Model #	CL-3879-MB
SKU	20604
Description	Small Coach Light
Finish	Matte Black
Glass	Clear
Dimensions- HxW (Dimensions shown in inches)	14.75" x 7.45"
Lamp Info	1X60W (M)

Finish/Glass Shown: Textured Black/Clear



*Lamps not included



ELECTRICAL REQUIREMENTS: Fixture requires a grounded electrical supply line of 120 volts AC.

INSTALLATION REQUIREMENTS: Fixture attaches to electrical junction box securely anchored in wall or ceiling.

All mounting hardware included.

Product specifications subject to change without notice.

HOME enhancements/ 1505-A Kelly Blvd., Carrollton, TX. 75006

REFERENCE	QTY.	REMARKS	Project
			Location/Type
			Architect
			Engineer
			Contractor
			Submitted By: Date: