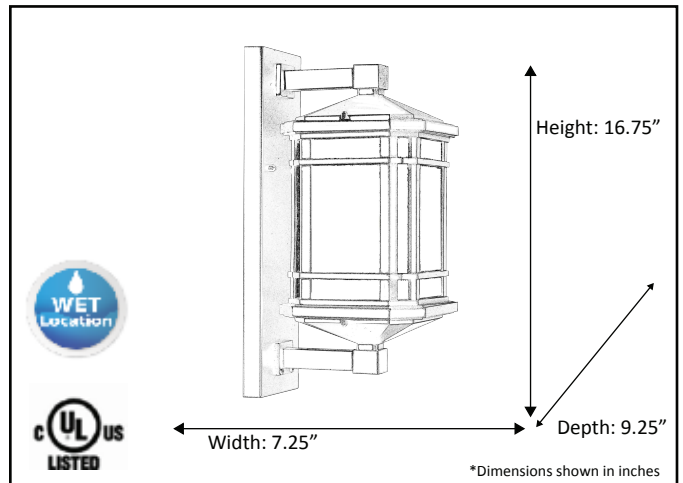


<b>Model #</b>	CL-2140-TBK
<b>Description</b>	Medium Coach 'O
<b>Dimensions- HxW(xD)</b>	16.75" x 7.25" x 9.25"
<b>CRI</b>	> 80
<b>†</b>	12W
<b>Lamping</b>	1 x 100W (E27)
<b>Dimmable</b>	No
<b>Finish Color</b>	Textured Black
<b>Glass Color</b>	Clear Seeded Glass



**ELECTRICAL REQUIREMENTS:** Fixture requires a grounded electrical supply line of 120 volts AC.

**INSTALLATION REQUIREMENTS:** Fixture attaches to electrical junction box securely anchored in wall or ceiling.  
**All mounting hardware included.**

HOMEnhancements.com / 1505-A Kelly Blvd., Carrollton, TX. 75006

*Product specifications subject to change without notice.*

REFERENCE	QTY.	REMARKS	Project
			Location/Type
			Architect
			Engineer
			Contractor
			Submitted By: <span style="float: right;">Date:</span>