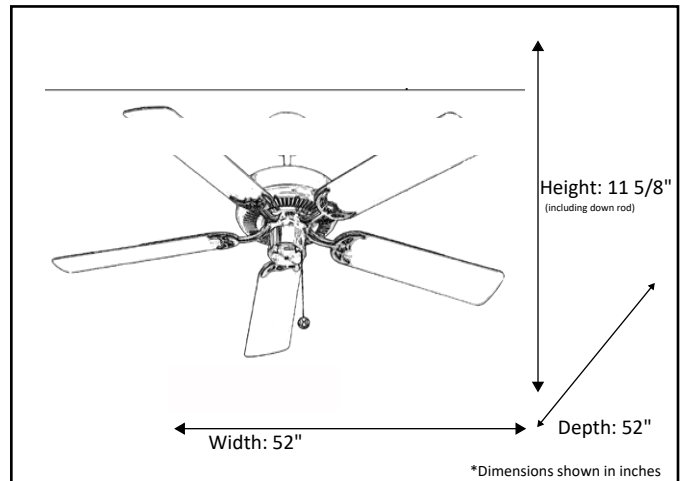
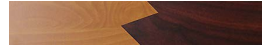


Model #	B552 ESNK5MP/WL
SKU	20327
Metal Finish	Brushed Nickel
Blade Finish	Maple/Walnut
Glass Finish	N/A
Blade Span	52"
Motor Specs	153mm x 15mm
Wire Length (Shown in inches)	80"
Down Rod Included (Shown in inches)	4"
Blade Pitch	12
Speed	3
Forward/Reverse	Yes
Airflow (CFM High)	4500.31
Power Use (Watts)	46.73
Airflow Efficiency (CFM/Watt)	96.30
Light Kit Included	No
Lamp Info	N/A
Location Use	Indoor Only
Wall Control	Not Included

Finish Shown: Brushed Nickel/Maple



ELECTRICAL REQUIREMENTS: Fixture requires a grounded electrical supply line of 120 volts AC.

INSTALLATION REQUIREMENTS: Fixture attaches to electrical junction box securely anchored in wall or ceiling.
All mounting hardware included.

HOMEnhancements / 1505-A Kelly Blvd., Carrollton, TX. 75006

Product specifications subject to change without notice.

REFERENCE	QTY.	REMARKS	Project
			Location/Type
			Architect
			Engineer
			Contractor
			Submitted By: Date: