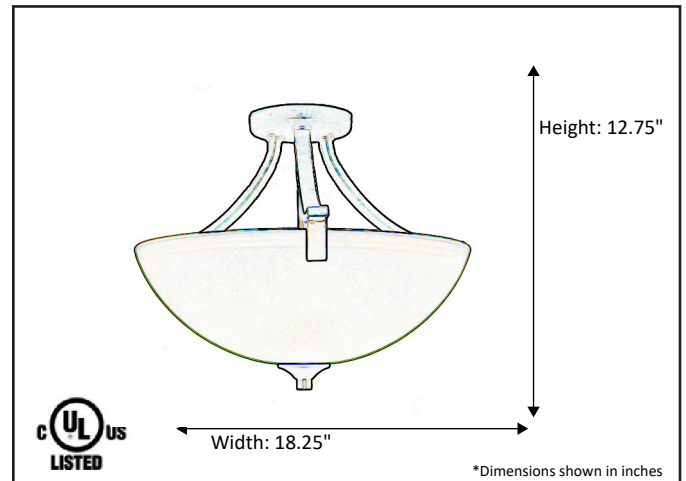


<b>Model #</b>	<b>VIC-SF3(WH)-MB</b>
SKU	19497
Description	3 Light Entry
Finish	Matte Black
Glass	White
Dimensions- HxW (Dimensions shown in inches)	12.75" x 18.25"
Lamp Info	3X60W (M)

Finish/Glass Shown: Matte Black/White



\*Lamps notincluded



**ELECTRICAL REQUIREMENTS:** Fixture requires a grounded electrical supply line of 120 volts AC.

**INSTALLATION REQUIREMENTS:** Fixture attaches to electrical junction box securely anchored in wall or ceiling.  
**All mounting hardware included.**

HOMEnhancements/ 1505-A Kelly Blvd., Carrollton, TX. 75006

*Product specifications subject to change without notice.*

REFERENCE	QTY.	REMARKS	Project
			Location/Type
			Architect
			Engineer
			Contractor
			Submitted By: <span style="float: right;">Date:</span>