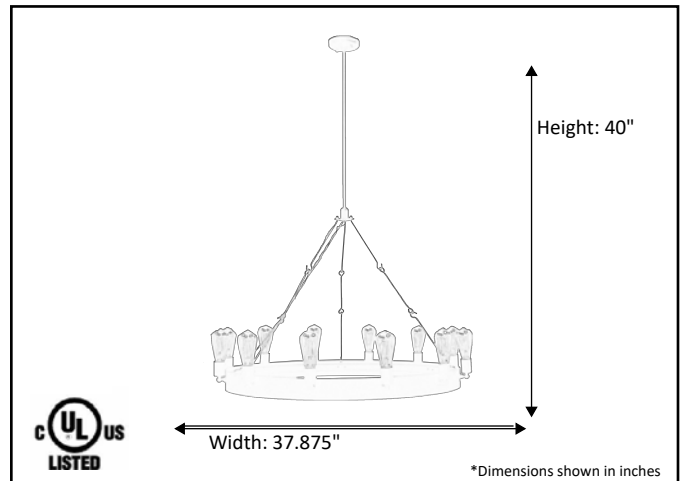


Model #	JSN-CH12-MB
SKU#	19491
Description	12 Light Chandelier
Finish	Matte Black
Glass	N/A
Replacement Glass	N/A
Dimensions- HxW (Dimensions shown in inches)	40" x 37.875"
Lamp Info	12X60W (M)
Chain/Wire Length	3' Chain/10' Wire

Finish/Glass Shown: Matte Black/N/A



\*Lamps not included



**ELECTRICAL REQUIREMENTS:** Fixture requires a grounded electrical supply line of 120 volts AC.

**INSTALLATION REQUIREMENTS:** Fixture attaches to electrical junction box securely anchored in wall or ceiling.  
**All mounting hardware included.**

HOMEnhancements / 1505-A Kelly Blvd., Carrollton, TX. 75006

**Product specifications subject to change without notice.**

REFERENCE	QTY.	REMARKS	Project
			Location/Type
			Architect
			Engineer
			Contractor
			Submitted By: _____ Date: _____