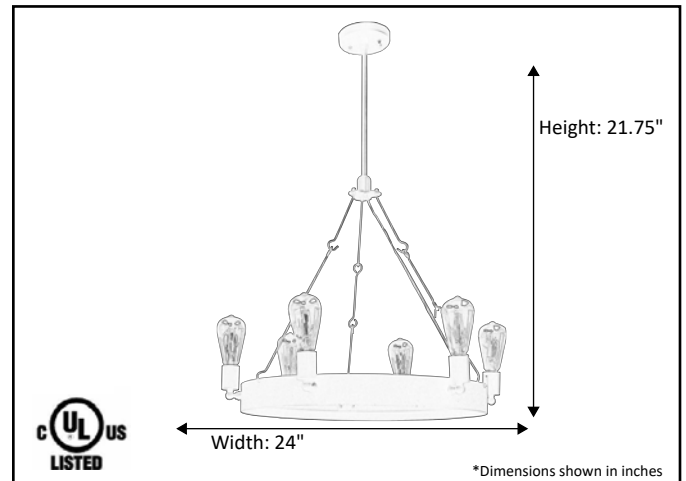


| | |
|---|--------------------|
| Model # | JSN-CH6-MB |
| SKU# | 19488 |
| Description | 6 Light Chandelier |
| Finish | Matte Black |
| Glass | N/A |
| Replacement Glass | N/A |
| Dimensions- HxW (Dimensions shown in inches) | 21.75" x 24" |
| Lamp Info | 6X60W (M) |
| Chain/Wire Length | 3' Chain/10' Wire |

Finish/Glass Shown: Matte Black/N/A



*Lamps not included



ELECTRICAL REQUIREMENTS: Fixture requires a grounded electrical supply line of 120 volts AC.

INSTALLATION REQUIREMENTS: Fixture attaches to electrical junction box securely anchored in wall or ceiling.
All mounting hardware included.

HOMEnhancements / 1505-A Kelly Blvd., Carrollton, TX. 75006

Product specifications subject to change without notice.

| REFERENCE | QTY. | REMARKS | Project |
|-----------|------|---------|--|
| | | | Location/Type |
| | | | Architect |
| | | | Engineer |
| | | | Contractor |
| | | | Submitted By: Date: |