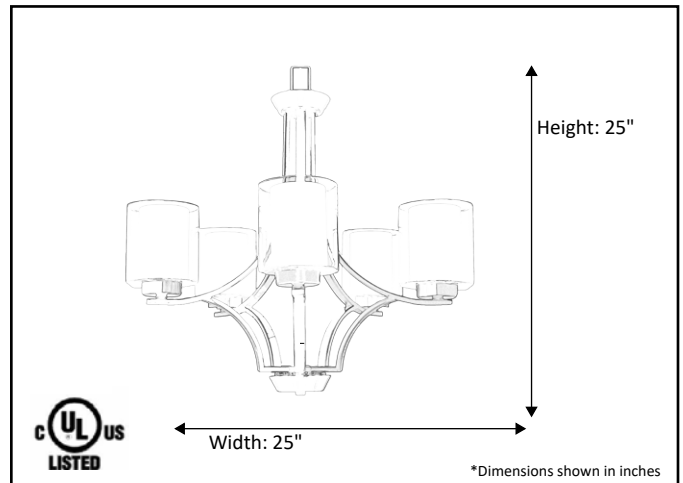


Model #	SNA-CH5-MB
SKU#	18788
Description	5 Light Chandelier
Finish	Matte Black
Glass	Clear/White
Replacement Glass	G-SNA-CL/WH
Dimensions- HxW (Dimensions shown in inches)	25" x 25"
Lamp Info	5X60W (M)
Chain/Wire Length	3' Chain/10' Wire

Finish/Glass Shown: Matte Black/Clear/White



*Lamps not included



ELECTRICAL REQUIREMENTS: Fixture requires a grounded electrical supply line of 120 volts AC.

INSTALLATION REQUIREMENTS: Fixture attaches to electrical junction box securely anchored in wall or ceiling.
All mounting hardware included.

HOMEnhancements / 1505-A Kelly Blvd., Carrollton, TX. 75006

Product specific subject to change without ce.

REFERENCE	QTY.	REMARKS	Project
			Location/Type
			Architect
			Engineer
			Contractor
			Submitted By: Date: