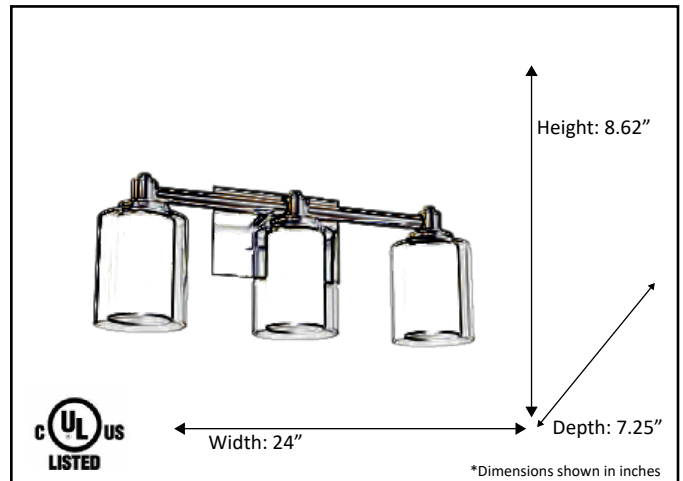


Model#	SNA-VS3-MB
SKU	18767
Fixture Series	Sonora
Description	3-Light Vanity
Finish	Matte Black
Glass	Clear Outer, White Inner
Dimensions- HxW(xD) (Dimensions shown in inches)	8.62" x 24" x 7.25"
Lamp Info	3 x 60W (M)

Finish/Glass Shown: Matte Black/Clear Outer, White Inner



*Lamps not included



ELECTRICAL REQUIREMENTS: Fixture requires a grounded electrical supply line of 120 volts AC.

INSTALLATION REQUIREMENTS: Fixture attaches to electrical junction box securely anchored in wall or ceiling.
All mounting hardware included.

HOMEnhancements.com / 1505-A Kelly Blvd., Carrollton, TX. 75006

Product specifications subject to change without notice.

REFERENCE	QTY.	REMARKS	Project
			Location/Type
			Architect
			Engineer
			Contractor
			Submitted By: Date: