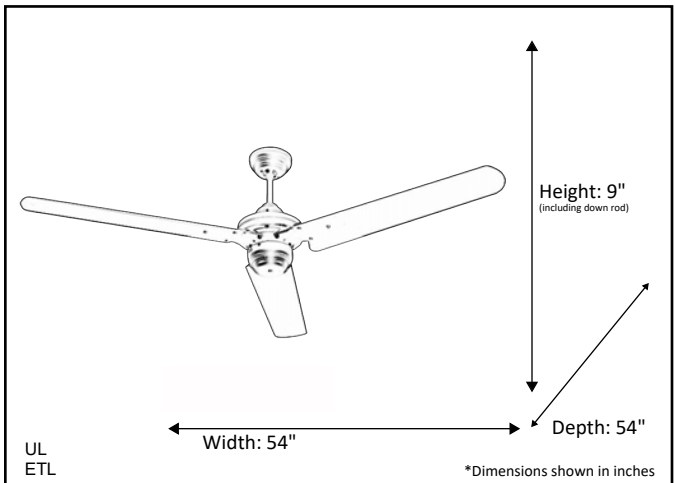


Model #	SUN543 MB3MB
SKU	16344
Metal Finish	Matte Black
Blade Finish	Metal-Black
Glass Finish	N/A
Blade Span	54"
Motor Specs	188mm x 22mm
Wire Length (Shown in inches)	80"
Down Rod Included (Shown in inches)	6"
Blade Pitch	12
Speed	3
Forward/Reverse	Yes
Airflow (CFM High)	7261.44
Power Use (Watts)	62.67
Airflow Efficiency (CFM/Watt)	115.87
Light Kit Included	No
Lamp Info	N/A
Location Use	Outdoor Only
Wall Control	Not Included

Finish/Glass Shown: Matte Black/N/A



ELECTRICAL REQUIREMENTS: Fixture requires a grounded electrical supply line of 120 volts AC.

INSTALLATION REQUIREMENTS: Fixture attaches to electrical junction box securely anchored in wall or ceiling.
All mounting hardware included.

HOMEnhancements / 1505-A Kelly Blvd., Carrollton, TX. 75006

Product specifications subject to change without notice.

REFERENCE	QTY.	REMARKS	Project
			Location/Type
			Architect
			Engineer
			Contractor
			Submitted By: Date: