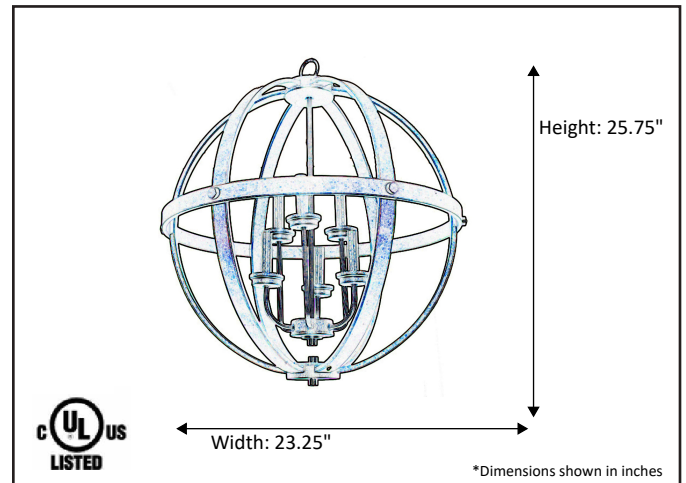


<b>Model #</b>	<b>HSP-24-RB</b>
SKU	16107
Description	6 Light Hanging Sphere
Finish	Rubbed Bronze
Glass	N/A
Dimensions- HxW (Dimensions shown in inches)	25.75" x 23.25"
Lamp Info	6X60W (C)
Chain/ Wire Length	3' Chain/10' Wire
Dual Mount	No

Finish/Glass Shown: Rubbed Bronze/N/A



\*Lamps not included



**ELECTRICAL REQUIREMENTS:** Fixture requires a grounded electrical supply line of 120 volts AC.

**INSTALLATION REQUIREMENTS:** Fixture attaches to electrical junction box securely anchored in wall or ceiling.  
**All mounting hardware included.**

HOMEnhancements/ 1505-A Kelly Blvd., Carrollton, TX. 75006

*Product specifications subject to change without notice.*

REFERENCE	QTY.	REMARKS	Project
			Location/Type
			Architect
			Engineer
			Contractor
			Submitted By: _____ Date: _____