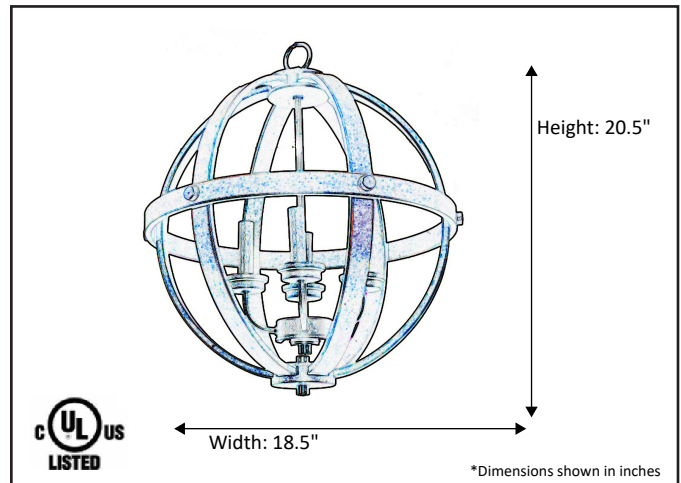


| | |
|---|------------------------|
| Model # | HSP-18-NK |
| SKU | 16098 |
| Description | 6 Light Hanging Sphere |
| Finish | Brushed Nickel |
| Glass | N/A |
| Dimensions- HxW (Dimensions shown in inches) | 20.5" x 18.5" |
| Lamp Info | 4X60W (C) |
| Chain/ Wire Length | 3' Chain/10' Wire |
| Dual Mount | No |

Finish/Glass Shown: Brushed Nickel/N/A



*Lamps not included



ELECTRICAL REQUIREMENTS: Fixture requires a grounded electrical supply line of 120 volts AC.

INSTALLATION REQUIREMENTS: Fixture attaches to electrical junction box securely anchored in wall or ceiling.
All mounting hardware included.

HOMEnhancements/ 1505-A Kelly Blvd., Carrollton, TX. 75006

Product specifications subject to change without notice.

| REFERENCE | QTY. | REMARKS | Project |
|-----------|------|---------|--|
| | | | Location/Type |
| | | | Architect |
| | | | Engineer |
| | | | Contractor |
| | | | Submitted By: Date: |