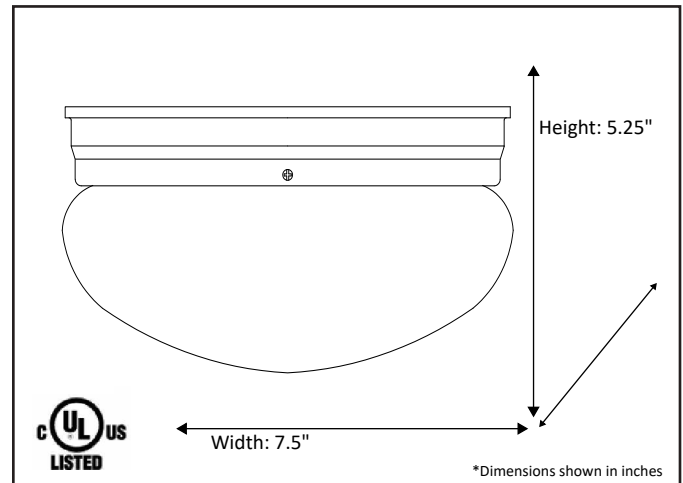


|  |                            |
|--|----------------------------|
| <b>Model #</b>   | <b>LF6-2-RB</b>            |
| <b>SKU</b>   | <b>15873</b>               |
| <b>Description</b>                                     | <b>1 Light Flush Mount</b> |
| <b>Finish</b>  | <b>Rubbed Bronze</b>       |
| <b>Glass</b>   | <b>White</b>               |
| <b>Dimensions- HxW</b><br>(Dimensions shown in inches) | <b>5.25" x 7.5"</b>        |
| <b>Lamp Info</b>                                       | <b>1X60W (M)</b>           |

Finish/Glass Shown: Rubbed Bronze/White



\*Lamps not included



**ELECTRICAL REQUIREMENTS:** Fixture requires a grounded electrical supply line of 120 volts AC.

**INSTALLATION REQUIREMENTS:** Fixture attaches to electrical junction box securely anchored in wall or ceiling.  
**All mounting hardware included.**

HOMEnhancements/ 1505-A Kelly Blvd., Carrollton, TX. 75006

*Product specifications subject to change without notice.*

| REFERENCE | QTY. | REMARKS | Project  |
|-----------|------|---------|--|
|           |      |         | Location/Type  |
|           |      |         | Architect  |
|           |      |         | Engineer   |
|           |      |         | Contractor   |
|           |      |         | Submitted By: <span style="float: right;">Date:</span> |