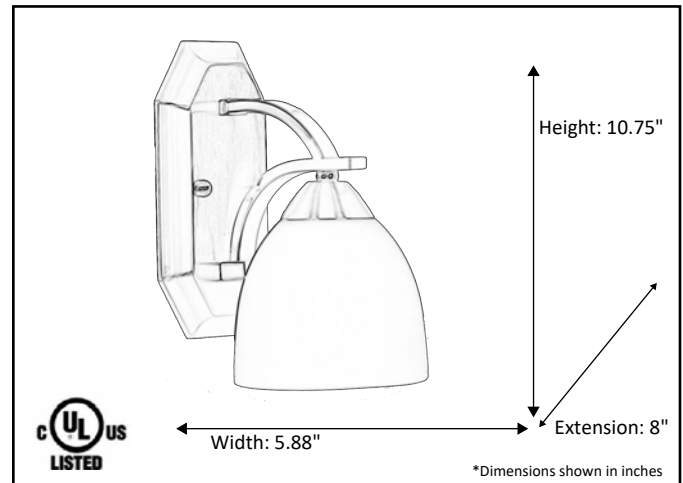


Model #	VIC-SC1(WH)-NK
SKU	15759
Fixture Series	Victoria
Description	1 Light Vanity
Metal Finish	Brushed Nickel
Glass Finish	White
Replacement Glass	GC-725-WH
Dimensions- HxW(xE) (Dimensions shown in inches)	10.75" X 5.88" X 8"
Lamp Info	1X60W (M)

Finish/Glass Shown: Brushed Nickel/White



*Lamps not included



ELECTRICAL REQUIREMENTS: Fixture requires a grounded electrical supply line of 120 volts AC.

INSTALLATION REQUIREMENTS: Fixture attaches to electrical junction box securely anchored in wall or ceiling.
All mounting hardware included.

HOMEnhancements / 1505-A Kelly Blvd., Carrollton, TX. 75006

Product specific subject to change without ce.

REFERENCE	QTY.	REMARKS	Project
			Location/Type
			Architect
			Engineer
			Contractor
			Submitted By: Date: