

Project Name:	Type:
Part Number:	Date:



SELECTFIT 4" RETROFIT DOWNLIGHT

SPECIFICATION FEATURES

- **Mechanical** - SELECTFIT, with integrated driver, retrofits existing commercial housings and is field accessible from below the ceiling. Stainless steel spring action clips accommodate 1/2" to 2" ceiling thicknesses.
- **Electrical** - Field select from three lumen outputs using SelectDrive technology. Universal 120-277V or 120V only, 50/60 Hz drivers available. Universal 0-10V drivers dimmable to 5% with low end cutoff. 120V drivers are dimmable to 10% using TRIAC or ELV dimmers.
- **Optical** - Self flanged spun aluminum reflector. High resistance polycarbonate optical lens, with smooth diffusion. 90° beam angle. Field select color temperature between either 3000K/3500K/4000K or 2700/5000K. Minimum 80CRI.
- **Thermal** - Die cast heat sink maximizes passive thermal management and achieves a L70 rated lifetime of 50,000 hours. Ambient temperature rated from -13°F to 95°F (-25°C to 35°C).
- **Compliance and Warranty** – ETL Classified and Listed for wet locations. Certified air-tight per ASTM 283-04. IC Rated for direct contact with insulation. 5 year parts warranty for complete fixture.



BENEFITS

- Field select lumen output
- Field select CCT
- Quick and easy installation
- 0-10V or 120V dimmable
- Long life time, L70 Rated for 50,000 hours

APPLICATIONS

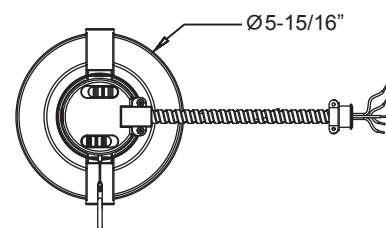
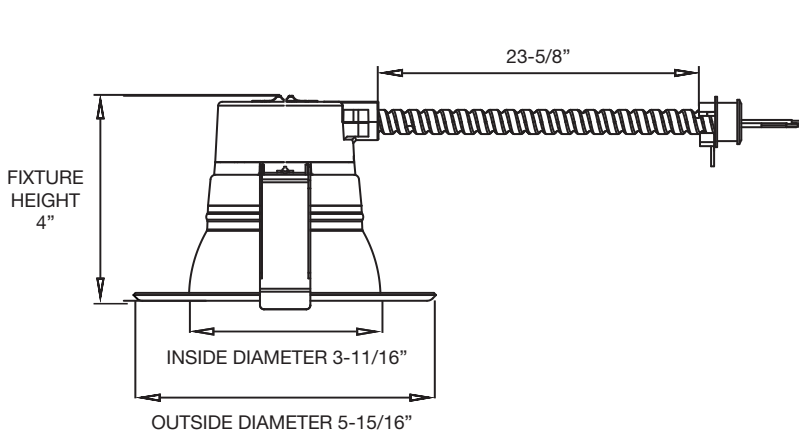
- Commercial
- Educational
- Retail
- Hospitality
- Outdoor Under Covered Ceilings

ORDERING INFORMATION

Series	Size	CRI	CCT	Dimming
<input checked="" type="checkbox"/> SLFT SELECTFIT	<input checked="" type="checkbox"/> 4 4" 550 / 750 / 1000lm	<input checked="" type="checkbox"/> 80 CRI 80	<input type="checkbox"/> CCTS Selectable CCT 3000 / 3500 / 4000K	<input type="checkbox"/> DIM120V 120V - Line voltage dimming
			<input type="checkbox"/> CCT2750* Selectable CCT 2700 / 5000K	<input type="checkbox"/> DIM010UNV 120-277V - 0-10V dimming

*Available in DIM010UNV only

LINE DRAWINGS



Ceiling Cutout	
Minimum	Maximum
Ø4"	Ø5-1/4"



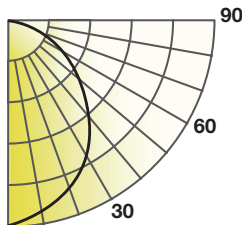
SELECTFIT 4" RETROFIT DOWNLIGHT

TECHNICAL INFORMATION

Dimming	Input Voltage	Input Frequency	Input Current	Input Power	THD Power	Power Factor
DIM120	120V	50 / 60Hz	0.06 / 0.08 / 0.11A	7 / 9 / 12W	<20%	>0.9
DIM010VUNV	120V	50 / 60Hz	0.06 / 0.07 / 0.10A	7 / 9 / 12W	<20%	>0.9
	277V		0.03 / 0.04 / 0.05A			

PHOTOMETRY

SLFT4/80CCTS/DIM120V (3500K Selected, High)



Lumens: 1037 lm
 Power: 12 W
 Efficacy: 87 lm/W
 CRI: 80+
 Spacing Criteria: 1
 Beam Angle: 85°

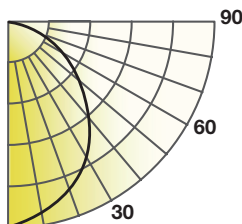
Candlepower Distribution	
Angle (°)	Average (cd)
0	549
5	546
15	519
25	450
35	355
45	249
55	146
65	59
75	27
85	2
90	0

Initial Footcandles		
Height (ft)	Fc	Diameter (ft)
8	9	14
9	7	16
10	6	18
12	4	21
15	2	27

Zonal Lumen Summary		
Zone	Lumens	%Fixt
0-30	405	39
0-40	627	60
0-60	943	91
0-90	1037	100

Lumen Output Coefficient			
CCT	3000K	3500K	4000K
Low Lumen output	0.53	0.57	0.55
Med Lumen output	0.70	0.74	0.71
High Lumen output	0.94	1.00	0.95

SLFT4/80CCTS/DIM010UNV (5000K Selected, High)



Lumens: 1014 lm
 Power: 12 W
 Efficacy: 86 lm/W
 CRI: 80+
 Spacing Criteria: 1
 Beam Angle: 85°

Candlepower Distribution	
Angle (°)	Average (cd)
0	535
5	532
15	505
25	440
35	350
45	241
55	136
65	57
75	27
85	3
90	0

Initial Footcandles		
Height (ft)	Fc	Diameter (ft)
8	8	14
9	7	16
10	5	18
12	4	21
15	2	26

Zonal Lumen Summary		
Zone	Lumens	%Fixt
0-30	395	39
0-40	611	60
0-60	921	91
0-90	1014	100

Lumen Output Coefficient		
CCT	2700K	5000K
Low Lumen output	0.54	0.57
Med Lumen output	0.70	0.73
High Lumen output	0.95	1.00



SELECTFIT 4" RETROFIT DOWNLIGHT

PERFORMANCE

SLFT4/80CCTS/DIMxxx – LOW/MEDIUM/HIGH – 7 / 9 / 12W - NOMINAL*

CCT	3000K			3500K			4000K		
Output	Low	Med	High	Low	Med	High	Low	Med	High
Lumens	541	714	959	581	755	1020	561	724	969
LPW	77	79	80	83	84	85	80	80	81

SLFT6/80CCT2750/DIMxxx – HIGH/MEDIUM/LOW – 7 / 9 / 12W - NOMINAL*

CCT2750	2700K			5000K		
Output	Low	Med	High	Low	Med	High
Lumens	540	700	950	570	730	1000
LPW	77	78	79	81	81	83

*The above values are nominal only and may vary slightly depending on the dimming and voltage applied

ACCESSORY ORDERING INFORMATION

Product	Model	Description	Pictures	Dimensions
98569	GOOFRING4	Goof ring for extending from 5-5/16" to 8-1/8" Maximum Ceiling Cutout 6-5/8"		
98501	NCPLATE/T4689	New Construction or Remodel Plate for T-grid Ceilings		
98502	NCPLATE468	New Construction Plate for Stud/Joist		
98583	NCPLATEJB	Additional J-Box for New Construction Installation For use with NCPLATE/T4689 and NCPLATE468 New Construction Plates		
58012	35EMINVERTER	Emergency Inverter 35W		