

TRACK HEAD INSTALLATION GUIDE – WARNING

WARNING – Read all product labels and instructions before installing the fixture.

WARNING – To prevent wiring damage or abrasion, do not expose wiring to edges of sheet metal or other sharp objects.

WARNING – Do not make or alter any open holes in an enclosure of wiring or electrical components during kit installation.

WARNING – The track luminaire is intended for mounting only in a covered ceiling where only the LED side of the luminaire will be exposed to dry or damp environments.

WARNING – INSTALLATION SHOULD ONLY BE PERFORMED AFTER POWER TO THE FIXTURE HAS BEEN DISCONNECTED.

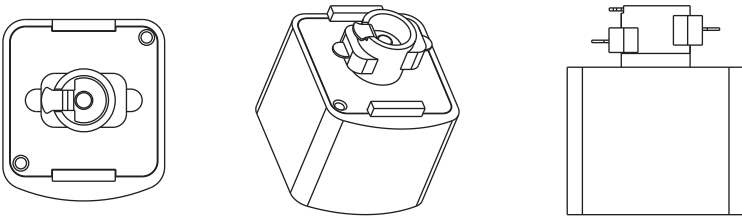
CAUTION – TO REDUCE THE RISK OF FIRE AND ELECTRIC SHOCK, USE WITH THE APPROPRIATE TRACK SYSTEM.

CAUTION – FOR USE WITH CEILING-MOUNTED TRACKS ONLY.

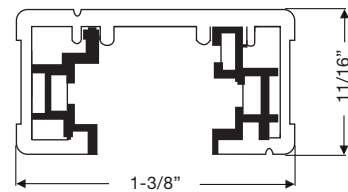
- Do not install any part of this system (TRACK) less than 7 feet (2.2m) above the floor.
- Test the compatibility of the track system and track lamp adapter before installing the track luminaire.

ADAPTER AND TRACK TYPE RECOGNITION

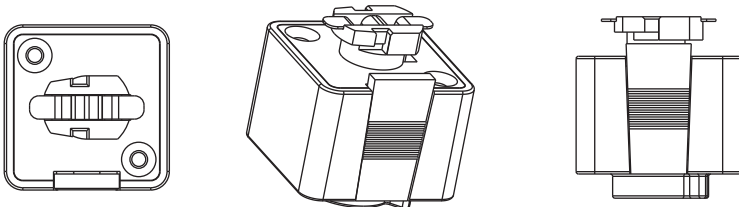
H TYPE ADAPTER



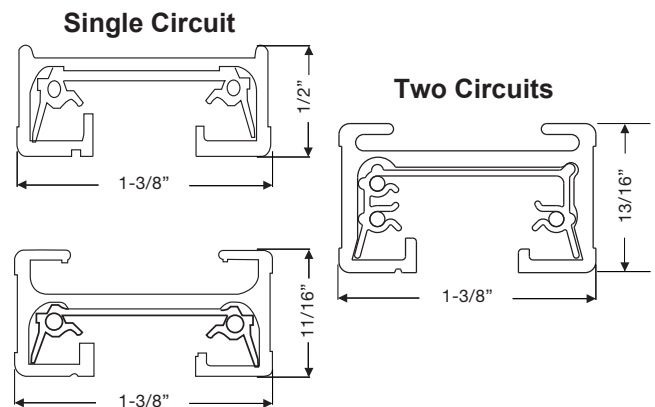
H TRACK TYPE



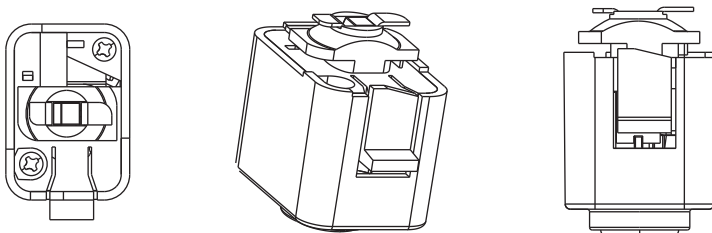
J TYPE ADAPTER



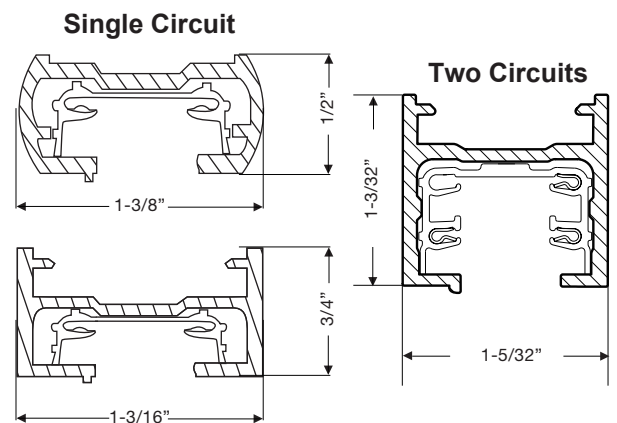
J TRACK TYPE



L TYPE ADAPTER



L TRACK TYPE



TRACK INSTALLATION GUIDE – H TYPE

1. Make sure the power is **TURNED OFF** at the source of the track system you are installing the fixture.
2. Make sure the fixture's adapter is an H type and compatible with the H track system. (fig. 1)
Note: the H type adapter is only compatible with single-circuit track types.
3. Insert the head of adapter into the slot of the track rail making sure Ground line is parallel with the ground pin. Note: the grounding contact direction. (fig. 2)
4. While holding the adapter aligned with the track, push the fixture upward. Then while pulling down on the adapter sleeve twist the body of the fixture 90 degrees until the locking tabs on both sides of the adapter snap into the track groove. (fig. 3 & 4)
Note: the ground pin needs to be touching the grounding line.
The adapter only rotates in one direction. Do not forcefully rotate the adapter in the wrong direction as it may damage it.
5. Restore power at the source and installation is complete.

fig. 1

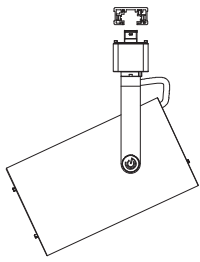


fig. 2

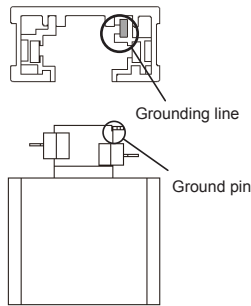


fig. 3

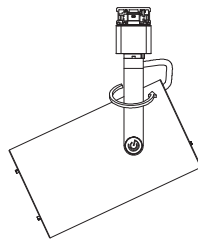
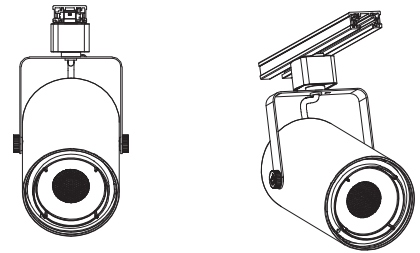


fig. 4



Removing the lamp

1. While holding the fixture in place, pull the adapter sleeve held down and gently twist the fixture 90 degrees until it can easily be removed from the track groove.

TRACK INSTALLATION GUIDE – J TYPE

1. Make sure the power is **TURNED OFF** at the source of the track system you are installing the fixture.
2. Make sure the fixture's adapter is a J type and compatible with the J track system. (fig. 1)
Note: the J type adapter is compatible with single or two-circuit track types. Simply lift the contact to its up position for two-circuit application. (fig. 2)
3. Insert the head of adapter into the slot of the track rail making sure the locking tab is parallel to the track's polarity line. Note: the Polarity contact direction. (fig. 3)
4. While holding down the lock tab with your thumb, push the fixture upward, then twist the body of the fixture 90 degrees until the locking tab on the adapter snaps into the track groove. (fig. 4 & 5)
The adapter only rotates in one direction. Do not forcefully rotate the adapter in the wrong direction as it may damage it.
5. Restore power at the source and installation is complete.

fig. 1

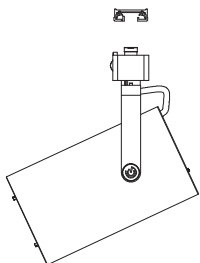


fig. 2

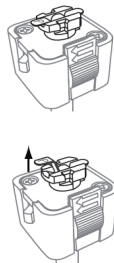


fig. 3

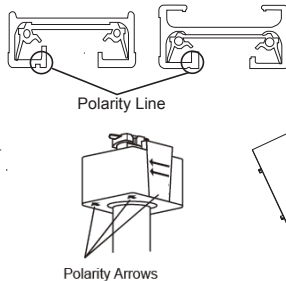


fig. 4

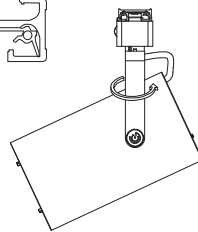
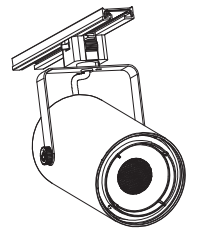


fig. 5



Removing the lamp

1. While holding the fixture in place, pull the lock tab down and gently twist the fixture 90 degrees until it can easily be removed from the track groove.

TRACK INSTALLATION GUIDE – L TYPE

1. Make sure the power is **TURNED OFF** at the source of the track system you are installing the fixture.
2. Make sure the lamp adapter is a L type and compatible with the L track system. (fig. 1)
Note: the L type adapter is compatible with single or two-circuit track types. Simply lift the contact to its up position for two-circuit application.
3. Insert the head of adapter into the slot of the track rail making sure the locking tab is parallel to the track's polarity line. (fig. 2)
4. While holding the adapter up to the track, push the fixture upward, then twist the body of the fixture 90 degrees until the locking tab on the adapter snaps into the track groove. (fig. 3 & 4)
The adapter only rotates in one direction, therefore do not forcefully rotate the adapter in the wrong direction as it may damage it.
5. Restore power at the source and installation is complete.

fig. 1

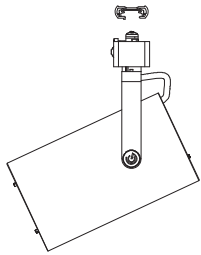


fig. 2

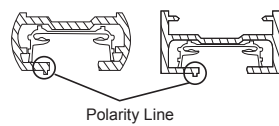


fig. 3

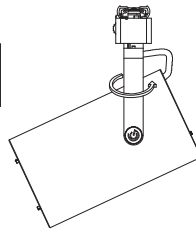
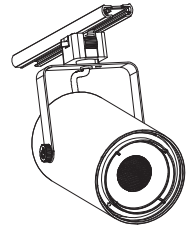
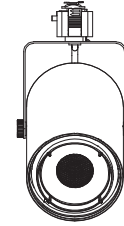


fig. 4



Removing the lamp

1. While holding the fixture in place, gently twist the fixture 90 degrees until it can easily be removed from the track groove.

TRACK INSTALLATION GUIDE – JBOX CANOPY MOUNT

1. Make sure the **POWER IS TURNED OFF** at the source to the J-Box in which you are installing the product.
2. Attach the mounting bracket to the J-box using two of the provided screws. (fig. 1)
3. Attach the safety clip to one of the holes in the mounting bracket. (fig. 2)
4. Wire the wires from the back of the fixture to power source inside the J-box (black to hot, white to neutral, green to ground and copper wires). Carefully tuck all the wires and connectors inside the J-box. (fig. 3)
5. Attach the canopy to the mounting bracket using the canopy screws (provided), screw in until the fixture is secured. (fig. 4)
6. Restore power at the source and installation is complete.

fig. 1

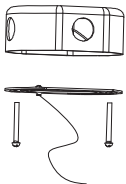


fig. 2

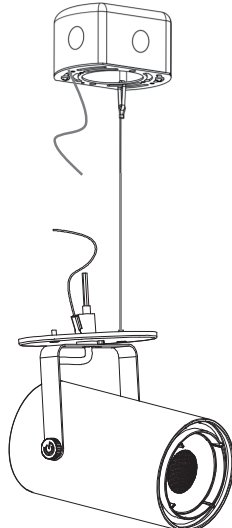


fig. 3

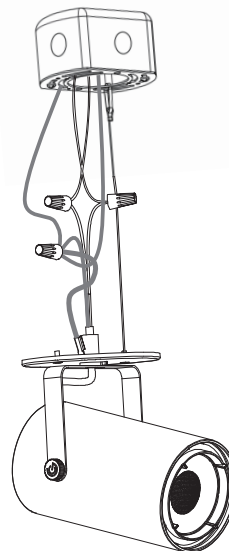
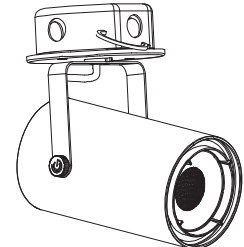


fig. 4



ACCESSORY INSTALLATION

1. Locate the accessory fastener and push-in around the lens holder until securely fastened

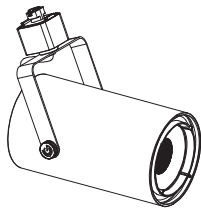


fig. 1

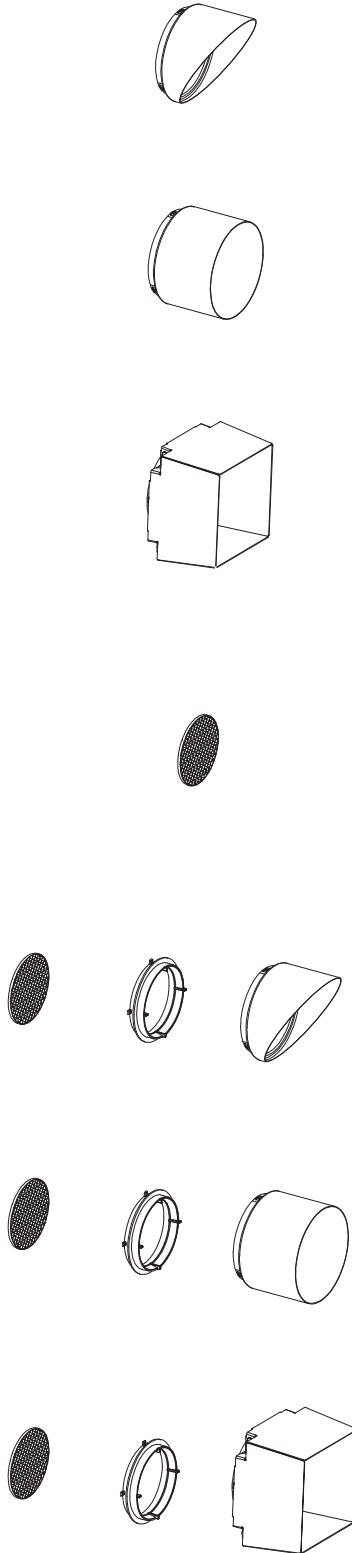


fig. 2

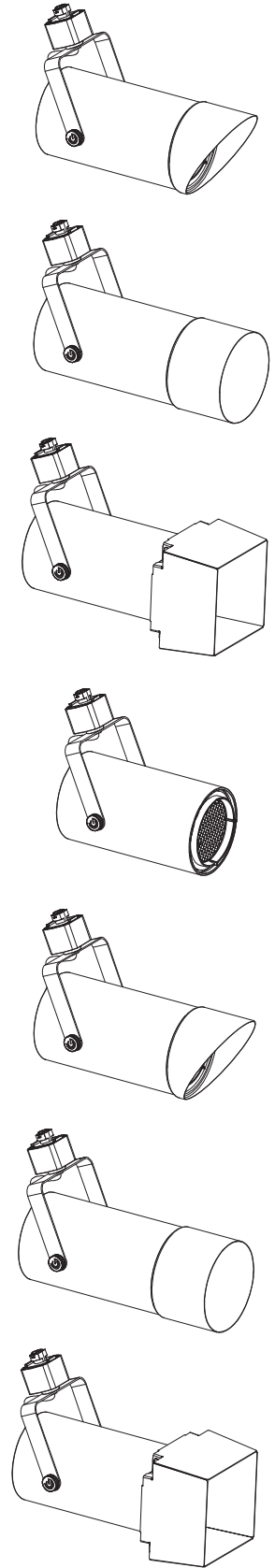


fig. 3

FIELD OPTIC REPLACEMENT INSTRUCTION

1. Grab and turn the optic holder counterclockwise until it releases. (fig. 1)
2. Pull to remove the optic holder from the fixture. (fig. 2)
3. Pull to remove the existing optic from the fixture. (fig. 3)
4. Note the pin holes at the bottom, and the notch at the edge, of the COB holder. Similarly note the pins and the bulge on the desired optic. (fig. 4 & 5)
5. Insert the desired optic in the fixture by making sure the pins and bulge are well aligned with the COB holder. (fig. 6)
6. Put back the optic holder on top of the optic. (fig. 7) Note the 2 alternative sets of hooks, with different height, on the COB holder. Ensure to engage the optic holder fasteners in the lower set of hooks. Turn the holder clockwise until the fasteners lock with lower hooks. The optic and holder should be tight and secure. If the lens holder is loose, remove and attach to lower set of hooks (fig. 8)
7. Lens installation is complete (fig. 9)

fig. 1

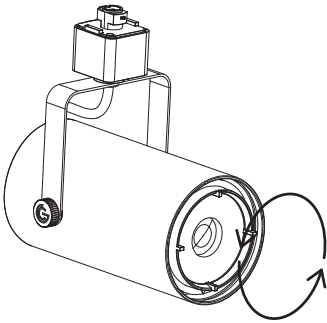


fig. 2

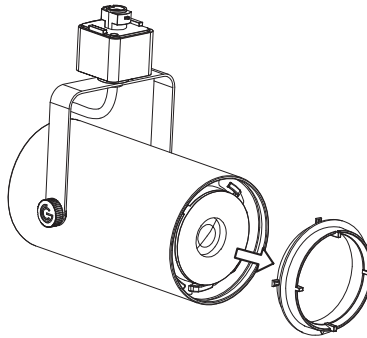


fig. 3

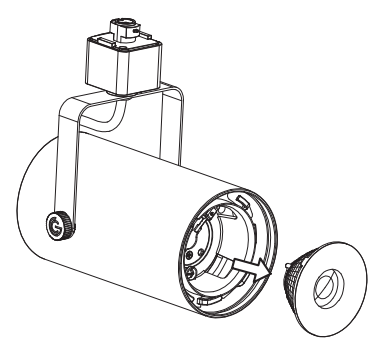


fig. 4

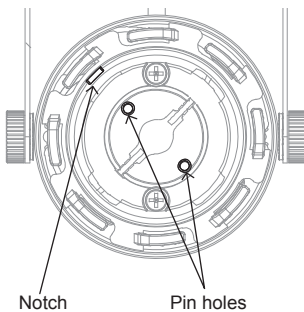


fig. 5

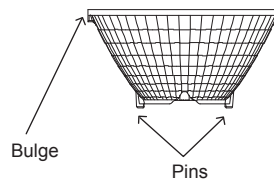


fig. 6

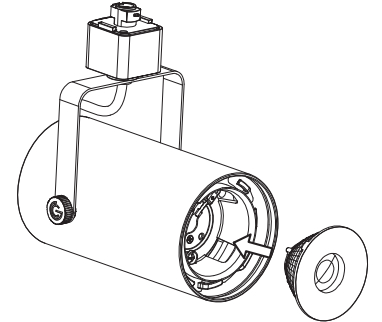


fig. 7

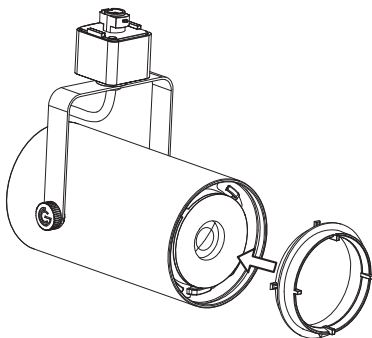


fig. 8

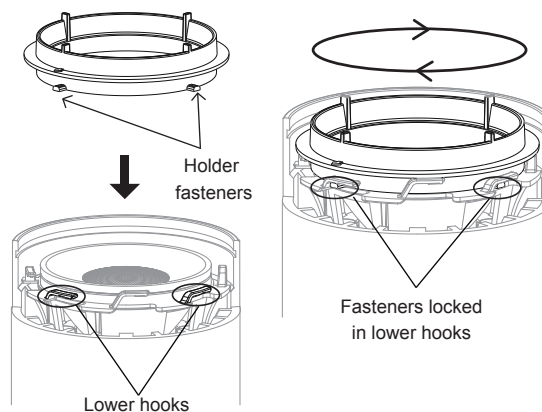
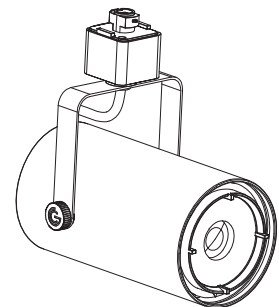


fig. 9



HONEYCOMB, LENSES, AND COLOR FILTERS INSTALLATION

1. Grab and turn the optic holder counterclockwise until it releases. (fig. 1)
2. Pull to remove the optic holder from the fixture. (fig. 2)
3. Insert the desired accessory on top of the optic. (fig. 3)
4. Put back the optic holder on top of the optic and newly placed accessory. (fig. 4) Note the 2 alternative sets of hooks, with different height, on the COB holder. Ensure to engage the optic holder fasteners in the higher set of hooks. Turn the holder clockwise until the fasteners lock with the higher hooks. The accessory, optic and holder should be tight and secure. (fig. 5)
5. Accessory installation is complete (fig. 6)

Note: The track can accept a maximum of one color-filter and one additional accessory (honeycomb or special lens) installed together. For a single color-filter use the lower hooks to secure.

fig. 1

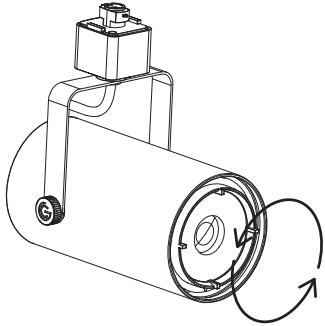


fig. 2

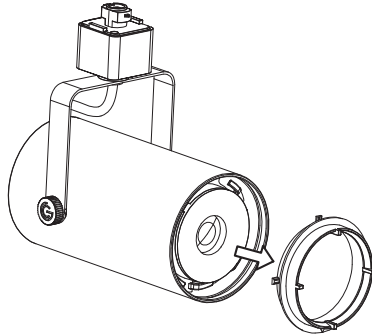


fig. 3

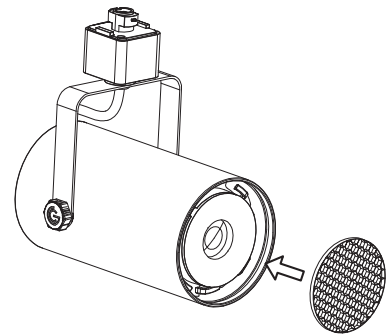


fig. 4

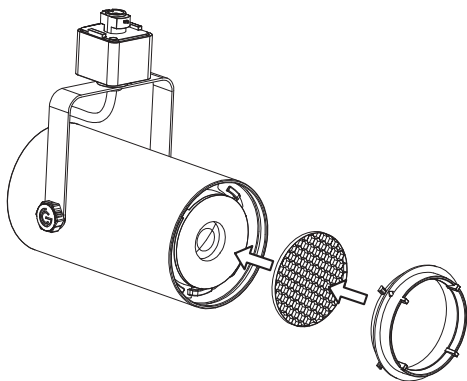


fig. 5

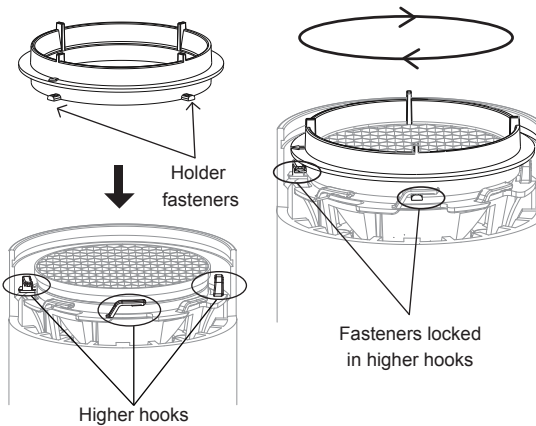


fig. 6

