

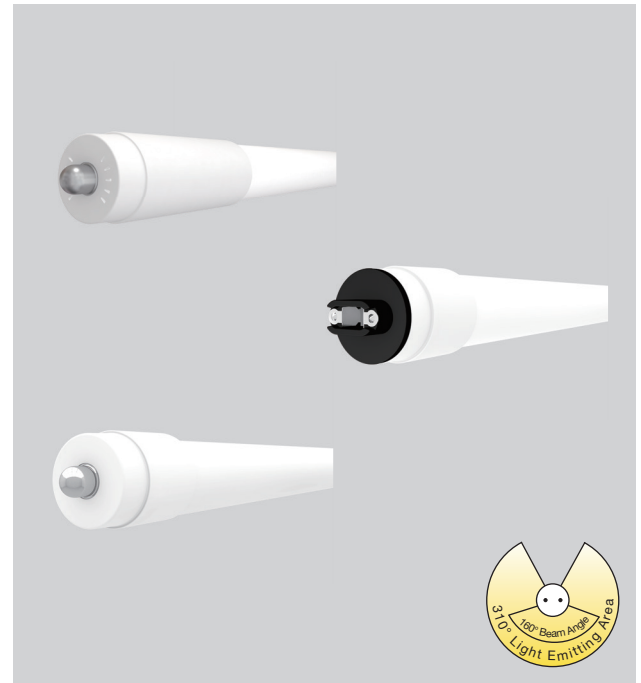
| | |
|---------------|-------|
| Project Name: | Type: |
| Part Number: | Date: |



DOUBLE ENDED BYPASS T8 8FT

FEATURES

- Integral driver suitable for 120-277V
- Replaces 8ft F96T8 / F96T12 Fluorescent lamps
- Available in Single pin (Fa8) & Recessed Double Contact pin (R17d)
- Double ended installation, no need to change existing sockets
- Opaque glass design eliminates pixilation and reduces glare
- High performance, lumen output up to 5,500lm, 137.5LPW
- 310° wide light emitting area
- Suitable for enclosed fixtures
- Meets NSF Requirements (use of a shatter guard required)
- UL 1598C classified
- Temperature rating: -4°F/20°C – 113°F/45°C
- Rated lifetime (L70): 50,000hrs
- 5 year limited warranty / 10 year available
(see EXTENDED WARRANTIES table for information)
- Suitable for all indoor general lighting applications and damp locations



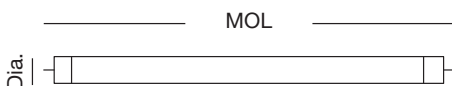
SPECIFICATIONS

| Product | Model | Equiv. | Input Voltage | Wattage | Lumens | CCT | CRI | Efficacy (LPW) | Power Factor | THD | Beam Angle | Dim. | Fixture Rating | DLC |
|---------|----------------------|--------------|---------------|---------|--------|-------|-----|----------------|--------------|------|------------|------|----------------|------|
| 36766 | 40T8/8F/840/DEB/Fa8 | F96T8 F96T12 | 120-277V | 40 | 5,500 | 4000K | 82 | 137.5 | 0.9 | <20% | 160° | Yes | Enclosed | ✓ |
| 36767 | 40T8/8F/850/DEB/Fa8 | F96T8 F96T12 | 120-277V | 40 | 5,500 | 5000K | 82 | 137.5 | 0.9 | <20% | 160° | Yes | Enclosed | ✓ |
| 34869 | 43T8/8F/840/DEB/Fa8 | F96T8 F96T12 | 120-277V | 43 | 5,500 | 4000K | 82 | 128 | 0.9 | <20% | 160° | No | Enclosed | ✓ |
| 34870 | 43T8/8F/850/DEB/Fa8 | F96T8 F96T12 | 120-277V | 43 | 5,500 | 5000K | 82 | 128 | 0.9 | <20% | 160° | No | Enclosed | ✓ |
| 34871 | 43T8/8F/840/DEB/R17d | F96T8 F96T12 | 120-277V | 43 | 5,500 | 4000K | 82 | 128 | 0.9 | <20% | 160° | No | Enclosed | N.A. |
| 34872 | 43T8/8F/850/DEB/R17d | F96T8 F96T12 | 120-277V | 43 | 5,500 | 5000K | 82 | 128 | 0.9 | <20% | 160° | No | Enclosed | N.A. |

SUPPLIED ACCESSORY

| Product | Model | Description | Picture | Dimension | Weight |
|---------|--------|--|---------|-----------|--------|
| 34873 | T8CLIP | Kit including self-tapping screw and support clip (Clip x 1, ST4.2 hexagon washer head self drilling screw x 1) | | | 0.2oz |

DIMENSION & WEIGHT



| Model | 43T8/8F/xxx/DEB/Fa8 | 43T8/8F/xxx/DEB/R17d | 40T8/8F/xxx/DEB/Fa8 |
|--------|---------------------|--------------------------------|---------------------|
| Base | Fa8 (Single Pin) | R17d (Recessed Double Contact) | Fa8 (Single Pin) |
| MOL | 93-15/16" | 93-15/16" | 94" |
| Dia. | 1-15/16" | 1-15/16" | 1-1/16" |
| Weight | 0.92lb | 0.92lb | 0.88lb |

Where xxx means 824-965 which indicates CRI and color temperature



DOUBLE ENDED BYPASS T8 8FT

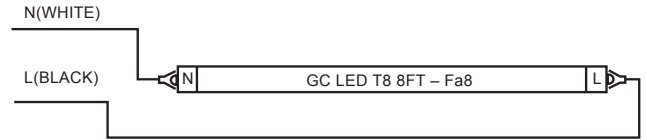
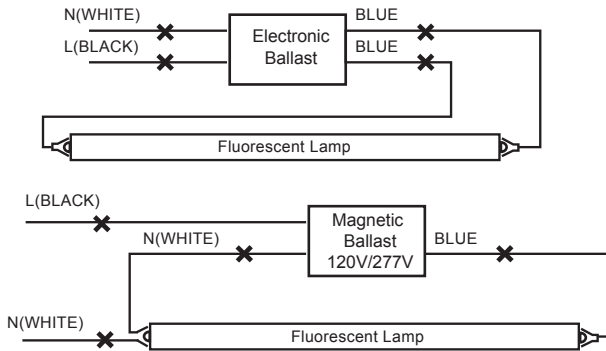
ORDERING INFORMATION

| Model | Master Carton | | | Shipping Carton | | |
|----------------------|---------------|-------------------------|-------------|-----------------|--------------------------------|-------------|
| | Case Qty | Case Dimensions (LxWxH) | Case Weight | Case Qty | Case Dimensions (LxWxH) | Case Weight |
| 43T8/8F/xxx/DEB/Fa8 | N.A. | N.A. | N.A. | 10PCS | 95-11/16" x 7-11/16" x 4-5/16" | 13.23 lb |
| 43T8/8F/xxx/DEB/R17d | N.A. | N.A. | N.A. | 10PCS | 95-11/16" x 7-11/16" x 4-5/16" | 13.23 lb |
| 40T8/8F/xxx/DEB/Fa8 | N.A. | N.A. | N.A. | 10PCS | 95-13/16" x 7-7/8" x 4-5/16" | 12.13 lb |

Where xxx means 824-965 which indicates CRI and color temperature
Where yyyy means beam angle

INSTALLTION

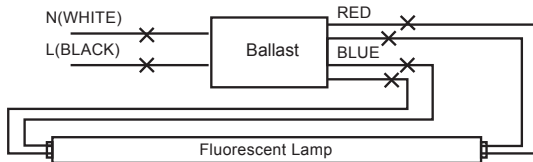
Fa8 - SINGLE PIN 1 LAMP



Step 1. Cut all wires connected to the existing ballast, remove the ballast

Step 2. Wire the holders and lamps according to the above diagram

PIN R17d - Recessed Double Contact 1 LAMP



Step 1. Cut all wires connected to the existing ballast, remove the ballast

Step 2. Wire the holders and lamps according to the above diagram

ACCESSORY ORDERING INFORMATION

| Product | Model | Description | Picture | Dimension | Weight |
|---------|--------------|------------------------|---------|-----------|--------|
| 98235 | 50EMINVERTER | Emergency Inverter 50W | | | 9.0lb |

- Fixtures must be installed within 250' of inverter
- UL 924 listed for field installation
- Suitable for damp locations
- Galvanized steel enclosure with 36" conduit for wiring connections to the fixture
- Includes test switch and charge indicator accessory kit
- Replaceable and recyclable long-life high temperature nickel-cadmium battery



DOUBLE ENDED BYPASS T8 8FT

EXTENDED WARRANTIES**

| Model | Description*** |
|----------------------------|--|
| 43T8/8F/DEB/10YEARWARRANTY | 10 Year warranty for 43T8/8F/8xx/DEB/xxxx/yy |
| 40T8/8F/DEB/10YEARWARRANTY | 10 Year warranty for 40T8/8F/8xx/DEB/xxxx/yy |

** Warranty based on a maximum of 4,368 annual operating hours (per year for ten years) and exposure to a maximum ambient temperature of 80°F / 27°C.

*** xx – Refers to the CCT yy – Refers to model generations within the same nominal performance. Typically blank, 'R', or 'RC'

Where xxxx means Fa8 or R17d base

CERTIFICATION INFORMATION

| Product | Model | DLC ID# |
|---------|---------------------|---------------|
| 36766 | 40T8/8F/840/DEB/Fa8 | PL13PDEAFT5Q |
| 36767 | 40T8/8F/850/DEB/Fa8 | PLM8JGZA2JLE |
| 34869 | 43T8/8F/840/DEB/Fa8 | PL21TI54B2VU |
| 34870 | 43T8/8F/850/DEB/Fa8 | PLN21TI54B2VU |

Note: All rights reserved. All sizes and specifications are subject to change at any time without notice.