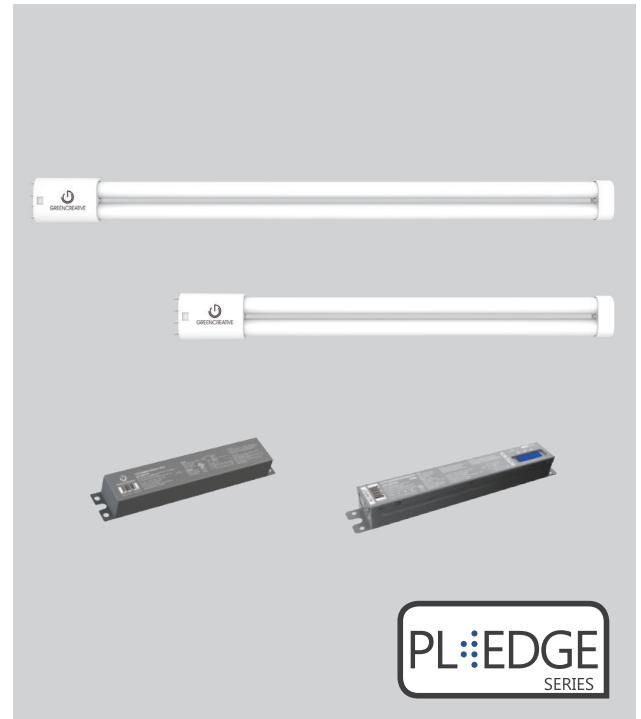


Project Name:	Type:
Part Number:	Date:

External Driver PLL

FEATURES

- Replaces 36W / 40W 4-pin (2G11) CFL lamps
- Compatible with GREEN CREATIVE external drivers only
- Flicker Free (percent flicker and flicker index are less than three percent)
- High efficacy up to 157 LPW
- Opaque glass eliminates pixilation and reduces glare
- Plastic film prevents glass from shattering
- Field select from three lumen outputs using SelectDrive driver
- 0-10V dimming* - dims to OFF with SelectDrive driver, dims to 10% with single wattage driver
- Suitable for use in totally enclosed fixtures and damp locations
- Fixture operating temperature: -4°F to 95°F (-20°C to 35°C)
- Lamp ambient temperature: -4°F to 113°F (-20°C to 45°C)
- Rated lifetime (L70): 60,000hrs
- 5 year limited warranty** / 10 year available (see EXTENDED WARRANTIES table for information)



022822



SPECIFICATIONS

Product	Model	Equiv.	Input Voltage	Wattage	Lumens	CCT	CRI	Efficacy (LPW)	Beam Angle	Power Factor	THD	DIM.*	Fixture Rating	DLC
36704	13PLL/835/EXT	36W	120-277V	13	1,800	3500K	82	138	110°	0.9	<20%	Yes	Enclosed	-
36705	13PLL/840/EXT	36W	120-277V	13	2,000	4000K	82	154	110°	0.9	<20%	Yes	Enclosed	-
36707	14PLL/835/EXT	40W	120-277V	14	2,000	3500K	82	143	140°	0.9	<20%	Yes	Enclosed	√
36708	14PLL/840/EXT	40W	120-277V	14	2,200	4000K	82	157	140°	0.9	<20%	Yes	Enclosed	√
36710	19PLL/835/EXT	40W	120-277V	19	2,600	3500K	82	137	140°	0.9	<20%	Yes	Enclosed	-
36711	19PLL/840/EXT	40W	120-277V	19	2,800	4000K	82	147	140°	0.9	<20%	Yes	Enclosed	-

* This lamp might not be compatible with all dimmers. Please visit www.greencreative.com for compatibility information.

** Please visit www.greencreative.com for Limited Warranty terms

COMPATIBILITY TABLE - LAMP & DRIVER

Model	15T8T5HEDRIVER/SD/2CH 15T8T5HEDRIVER/2CH/R	15T8T5HEDRIVER/SD/4CH 15T8T5HEDRIVER/4CH/R	24T5HODRIVER/2CH/R	24T5HODRIVER/4CH/R
13PLL/xxx/EXT	1 lamp / 2 lamps	1 lamp / 2 lamps / 3 lamps / 4 lamps	N.A.	N.A.
14PLL/xxx/EXT	1 lamp / 2 lamps	1 lamp / 2 lamps / 3 lamps / 4 lamps	N.A.	N.A.
19PLL/xxx/EXT	N.A.	N.A.	1 lamp / 2 lamps	1 lamp / 2 lamps / 3 lamps / 4 lamps

Where xxx means 824-965 which indicates CRI and color temperature.

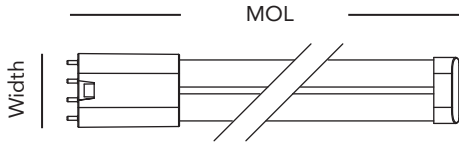
LAMP & SelectDrive EXTERNAL DRIVER LUMEN OUTPUT GUIDE

Product	Model	Lamp & Driver system lumen output					
		15T8T5HEDRIVER/SD/2CH		15T8T5HEDRIVER/SD/4CH			
		Low (Power)	Low (lumens)	Med (Power)	Med (lumens)	High (Power)	High (lumens)
36704	13PLL/835/EXT	8.8	1,200	10.5	1,450	13	1,800
36705	13PLL/840/EXT	8.8	1,300	10.5	1,600	13	2,000
36707	14PLL/835/EXT	9.4	1,300	11.2	1,600	14	2,000
36708	14PLL/840/EXT	9.4	1,450	11.2	1,750	14	2,200



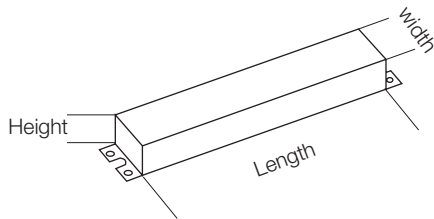
External Driver PLL

DIMENSION & WEIGHT



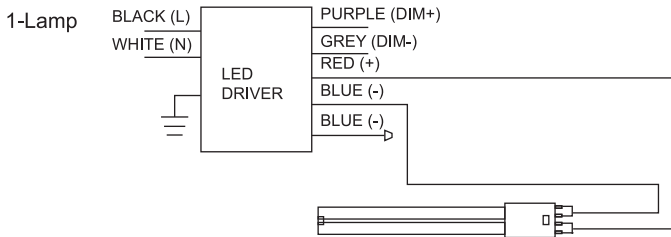
Model	13PLL/xxx/EXT	14PLL/xxx/EXT	19PLL/xxx/EXT
Base	2G11	2G11	2G11
MOL	16-7/16"	22-1/2"	22-1/2"
Width	1-11/16"	1-11/16"	1-11/16"
Weight	0.30 lb	0.37 lb	0.37lb

Where xxx means 824-965 which indicates CRI and color temperature.

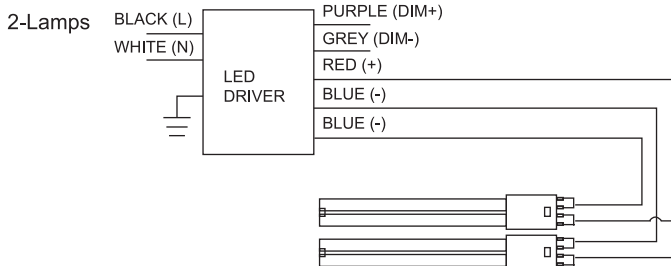
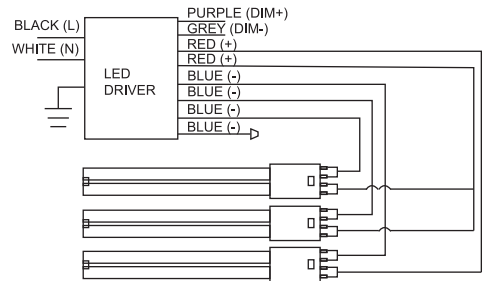


Product	Model	Length	Width	Height	Weight
98259	15T8T5HEDRIVER/2CH/R	9-1/2"	1-5/16"	1-3/16"	1.0 lb
98260	15T8T5HEDRIVER/4CH/R				
35896	15T8T5HEDRIVER/SD/2CH				
35897	15T8T5HEDRIVER/SD/4CH				
98261	24T5HODRIVER/2CH/R	9-1/2"	1-3/4"	1-3/16"	1.4 lb
98262	24T5HODRIVER/4CH/R				

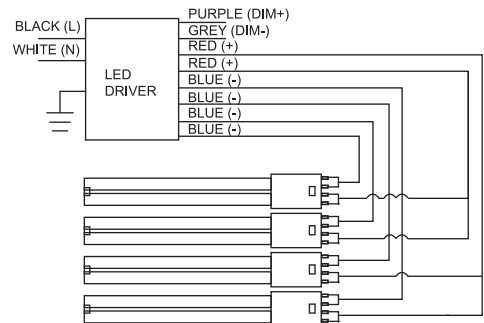
INSTALLATION



3-Lamps



4-Lamps

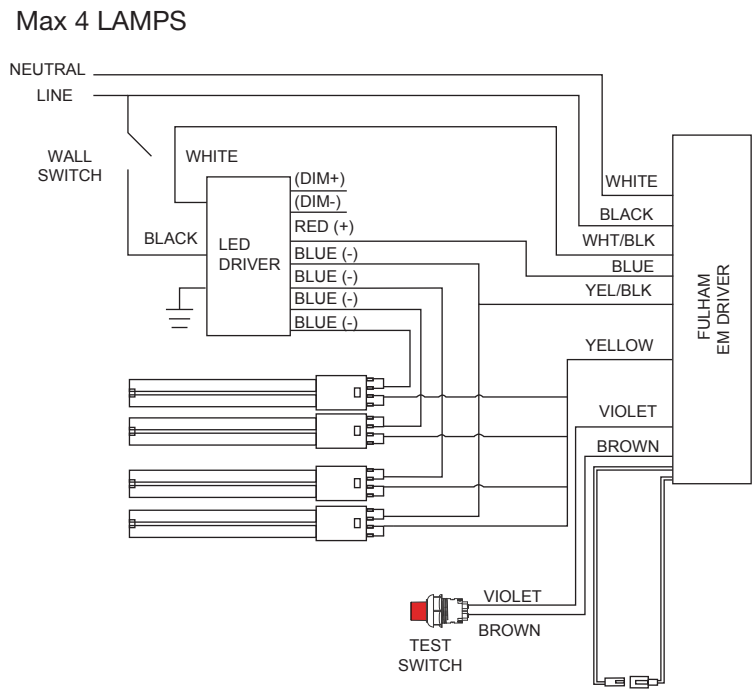




External Driver PLL

ACCESSORY ORDERING INFORMATION				
Product	Model	Description	Picture	Dimension
35797	FU10W/T5T8/EXT/EMDRIVER	FHSCP-UNV-10.7WL		
35798	FU13W/T5T8/EXT/EMDRIVER	FHSCP-UNV-13.7WL		
35799	FU17W/T5T8/EXT/EMDRIVER	FHSCP-UNV-17WL		

FULHAM EMERGENCY DRIVER INSTALLATION



COMPATIBILITY WITH FULHAM EMERGENCY DRIVER

Type	Model No	FULHAM EM DRIVER		
		Lumen output level at EM mode		
		FHSCP-UNV-10.7WL	FHSCP-UNV-13.7WL	FHSCP-UNV-17WL
PLL	13PLL/8XX/EXT	87%	109%	135%
	14PLL/8XX/EXT	79%	100%	124%
	19PLL/8XX/EXT	62%	77%	96%

** xx – Refers to the CCT



External Driver PLL

EXTENDED WARRANTIES**	
Model	Description***
13PLL/EXT/10YEARWARRANTY	10 Year warranty for 13PLL/8xx/EXT
14PLL/EXT/10YEARWARRANTY	10 Year warranty for 14PLL/8xx/EXT
19PLL/EXT/10YEARWARRANTY	10 Year warranty for 19PLL/8xx/EXT

** Warranty based on a maximum of 4,368 annual operating hours (per year for ten years) and exposure to a maximum fixture operating temperature of 80°F / 27°C.

*** xx – Refers to the CCT yy – Refers to model generations within the same nominal performance. Typically blank, 'R', or 'RC'

Note: All rights reserved. All sizes and specifications are subject to change at any time without notice.