

Project Name:	Type:
Part Number:	Date:

# SINGLE CIRCUIT J-TYPE TRACK SYSTEM

## SPECIFICATION FEATURES

- **Mechanical** - Extruded aluminum, I-beam construction for strength and rigidity in pendant or suspended applications. One-piece integrated thermoplastic insulator. Two 12 gauge solid copper conductors. One injection molded polycarbonate dead-end with set screw provided with each track section. Stainless steel toggle bolts included with each track section for surface mount installation. Field-cutttable for custom lengths. Comes in White, Black or Silver finish.
- **Electrical** - Rated for 20A at 120V, 60Hz. Maximum power rating is 2.4kW. NEC allows 80% of full capacity or 1.92kW. Mechanical polarity with a visual indicator simplifies installation, mounting and proper connection.
- **Compliance and Warranty** - All track and track components are cULus listed for dry location. RoHs-compliant. Compatible with ATOM and ORBIT GREEN CREATIVE track fixture, Single Circuit, J-type adapter. 1 year parts warranty for complete system.



03/09/21

## BENEFITS

- GREEN CREATIVE Single Circuit J-Type Track System is compatible with all GREEN CREATIVE Track Fixtures with J-type adapter.
- Compatible with a full range of feed and connector to complete virtually any configuration.
- A full set of mounting accessories are available for surface or pendant mounting to fit any type of ceiling.

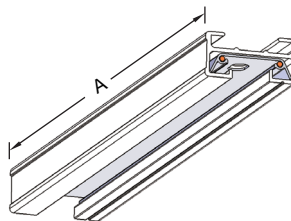
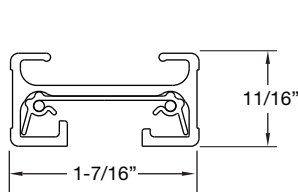
## APPLICATIONS

- Retail
- Commercial
- Museum and Art Galleries
- Showrooms
- Residential

## ORDERING INFORMATION

Series	Length	Circuit	Finish
<input checked="" type="checkbox"/> <b>TRKJ</b> Track J-type	<input type="checkbox"/> <b>24</b> 24in. (2ft) Length	<input checked="" type="checkbox"/> <b>1C</b> Single Circuit	<input type="checkbox"/> <b>BL</b> Black
	<input type="checkbox"/> <b>48</b> 48in. (4ft) Length		<input type="checkbox"/> <b>WH</b> White
	<input type="checkbox"/> <b>96</b> 96in. (8ft) Length		<input type="checkbox"/> <b>SV</b> Silver

## LINE DRAWINGS



Nominal Length	Exact Length A
24in. / 2ft.	20-1/8"
48in. / 4ft.	44-1/8"
96in. / 8ft.	92-1/8"



# SINGLE CIRCUIT J-TYPE TRACK SYSTEM

## SINGLE CIRCUIT J-TYPE TRACK SYSTEM - POWER FEEDS

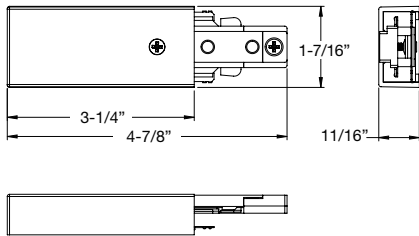
### Top Access End Feed:

Ordering example: TRKJ/ENDF/1C/WH

For direct wiring through ceiling with junction box or end feed in suspension, cover plate is required over junction box. Accepts 3/8" or 1/2" (trade size) electrical fittings.



Series	Type	Circuit	Finish
<input checked="" type="checkbox"/> TRKJ Track J-type	<input checked="" type="checkbox"/> ENDF Live End Feed	<input checked="" type="checkbox"/> 1C Single Circuit	<input type="checkbox"/> BL Black
			<input type="checkbox"/> WH White
			<input type="checkbox"/> SV Silver



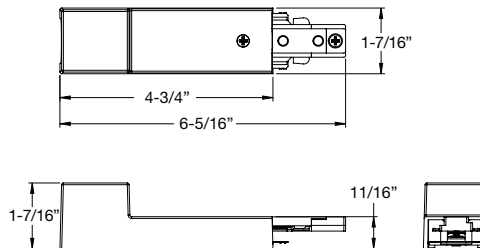
### Surface Conduit End Feed:

Ordering example: TRKJ/SCF/1C/WH

For surface conduit wiring. Accepts 3/8" or 1/2" (trade size) electrical fittings.



Series	Type	Circuit	Finish
<input checked="" type="checkbox"/> TRKJ Track J-type	<input checked="" type="checkbox"/> SCF Surface Conduit Feed	<input checked="" type="checkbox"/> 1C Single Circuit	<input type="checkbox"/> BL Black
			<input type="checkbox"/> WH White
			<input type="checkbox"/> SV Silver



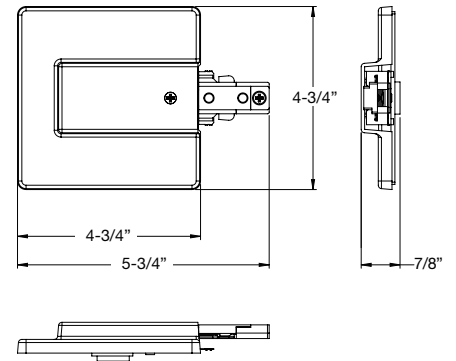
### End Feed with Cover:

Ordering example: TRKJ/ENDFCOV/1C/WH

For Wiring through junction box, located at one end of the track section. Built-in junction box cover.



Series	Type	Circuit	Finish
<input checked="" type="checkbox"/> TRKJ Track J-type	<input checked="" type="checkbox"/> ENDFCOV End Feed with Cover	<input checked="" type="checkbox"/> 1C Single Circuit	<input type="checkbox"/> BL Black
			<input type="checkbox"/> WH White
			<input type="checkbox"/> SV Silver



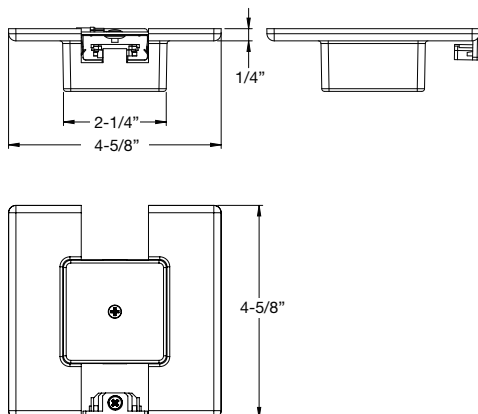
### Floating Canopy Feed:

Ordering example: TRKJ/FCPY/1C/WH

For wiring through junction box. Can be located anywhere along track section.



Series	Type	Circuit	Finish
<input checked="" type="checkbox"/> TRKJ Track J-type	<input checked="" type="checkbox"/> FCPY Floating Canopy Feed	<input checked="" type="checkbox"/> 1C Single Circuit	<input type="checkbox"/> BL Black
			<input type="checkbox"/> WH White
			<input type="checkbox"/> SV Silver



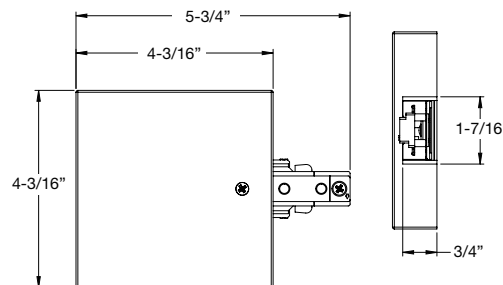
### T-Bar End Feed:

Ordering example: TRKJ/TBENDF/1C/WH

Direct wiring through ceiling tile with junction box when T-Bar is directly above track. Accepts 3/8" or 1/2" (trade size) electrical fittings.



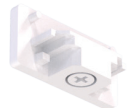
Series	Type	Circuit	Finish
<input checked="" type="checkbox"/> TRKJ Track J-type	<input checked="" type="checkbox"/> TBENDF T-Bar End Feed	<input checked="" type="checkbox"/> 1C Single Circuit	<input type="checkbox"/> BL Black
			<input type="checkbox"/> WH White
			<input type="checkbox"/> SV Silver



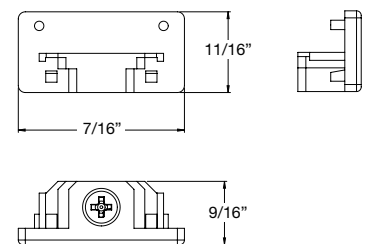
### End Cap:

Ordering example: TRKJ/END/1C/WH

Covers end of track section. One included with each track section.



Series	Type	Circuit	Finish
<input checked="" type="checkbox"/> TRKJ Track J-type	<input checked="" type="checkbox"/> END End Cap	<input checked="" type="checkbox"/> 1C Single Circuit	<input type="checkbox"/> BL Black
			<input type="checkbox"/> WH White
			<input type="checkbox"/> SV Silver





# SINGLE CIRCUIT J-TYPE TRACK SYSTEM

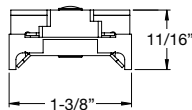
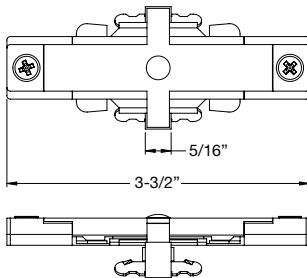
## SINGLE CIRCUIT J-TYPE TRACK SYSTEM - CONNECTORS

### Mini I Connector:

Ordering example: TRKJ/MIC/1C/BL  
Connects two track sections end to end.  
Low profile design for a clean continuous run.  
Cannot be used as feed point.



Series	Type	Circuit	Finish
<input checked="" type="checkbox"/> TRKJ Track J-type	<input checked="" type="checkbox"/> MIC Mini I Connector	<input checked="" type="checkbox"/> 1C Single Circuit	<input type="checkbox"/> BL Black
			<input type="checkbox"/> WH White
			<input type="checkbox"/> SV Silver

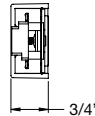
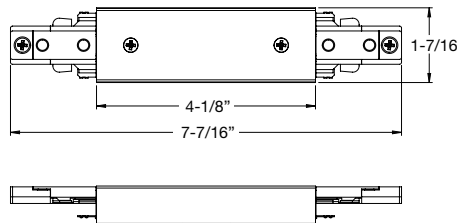


### I Connector:

Ordering example: TRKJ/IC/1C/BL  
Connects two track sections end to end.  
May be used as feed point, cover plate is  
required over junction box.



Series	Type	Circuit	Finish
<input checked="" type="checkbox"/> TRKJ Track J-type	<input checked="" type="checkbox"/> IC I Connector	<input checked="" type="checkbox"/> 1C Single Circuit	<input type="checkbox"/> BL Black
			<input type="checkbox"/> WH White
			<input type="checkbox"/> SV Silver

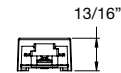
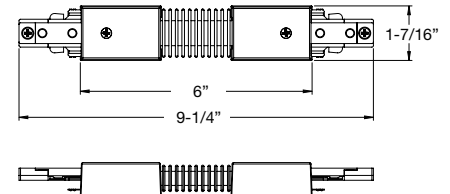


### I Flexible Connector:

Ordering example: TRKJ/IFC/1C/BL  
Connects two track sections end to end.  
May be used as feed point, cover plate is  
required over junction box.



Series	Type	Circuit	Finish
<input checked="" type="checkbox"/> TRKJ Track J-type	<input checked="" type="checkbox"/> IFC I Flex Connector	<input checked="" type="checkbox"/> 1C Single Circuit	<input type="checkbox"/> BL Black
			<input type="checkbox"/> WH White
			<input type="checkbox"/> SV Silver

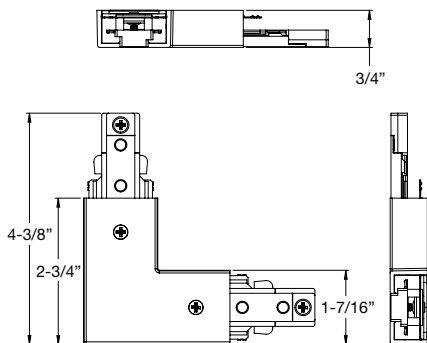


### L Connector:

Ordering example: TRKJ/LC/1C/BL  
Connects two track sections end to end in  
a 90° angle configuration. May be used as  
feed point, cover plate is required over  
junction box.



Series	Type	Circuit	Finish
<input checked="" type="checkbox"/> TRKJ Track J-type	<input checked="" type="checkbox"/> LC L Connector	<input checked="" type="checkbox"/> 1C Single Circuit	<input type="checkbox"/> BL Black
			<input type="checkbox"/> WH White
			<input type="checkbox"/> SV Silver

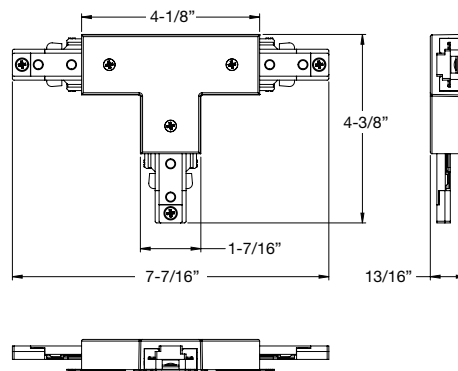


### T Connector:

Ordering example: TRKJ/TC/1C/BL  
Connects three track sections in a T  
shape configuration. Reverse polarity  
available (\*R\*). May be used as feed  
point, cover plate is required over  
junction box.



Series	Type	Circuit	Finish
<input checked="" type="checkbox"/> TRKJ Track J-type	<input type="checkbox"/> TC T Connector	<input checked="" type="checkbox"/> 1C Single Circuit	<input type="checkbox"/> BL Black
	<input type="checkbox"/> TCR T Connector Reverse Polarity		<input type="checkbox"/> WH White
			<input type="checkbox"/> SV Silver

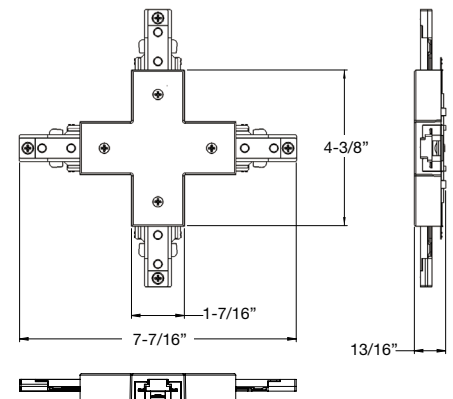


### X Connector:

Ordering example: TRKJ/XC/1C/BL  
Connects four track sections in an X  
configuration. Factory wired for two  
separate 90° runs. May be field wired for  
one run. May be used as feed point,  
cover plate is required over junction box.



Series	Type	Circuit	Finish
<input checked="" type="checkbox"/> TRKJ Track J-type	<input checked="" type="checkbox"/> XC X Connector	<input checked="" type="checkbox"/> 1C Single Circuit	<input type="checkbox"/> BL Black
			<input type="checkbox"/> WH White
			<input type="checkbox"/> SV Silver





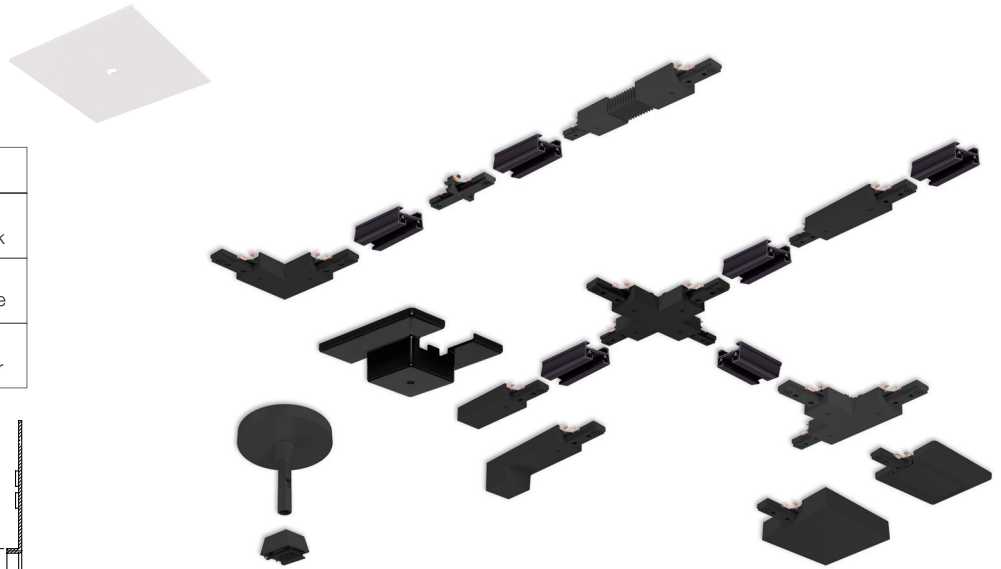
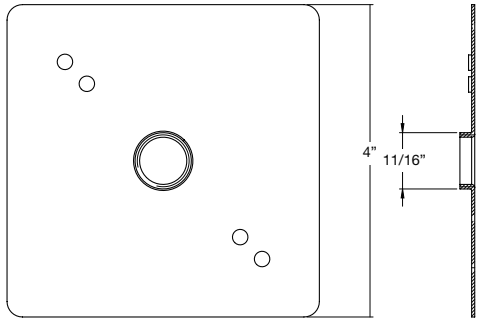
# SINGLE CIRCUIT J-TYPE TRACK SYSTEM

## SINGLE CIRCUIT J-TYPE TRACK SYSTEM - COVER PLATE

**Square Cover Plate:**

**Ordering example:** TRK/COVPLATE/BL  
 Square Cover Plate with threaded center access hole. Includes ground washer, threaded nipple and nut. For use with I, L, T and X connectors.  
 Covers standard 4" octagonal J-Box.

Series	Type	Finish
<input checked="" type="checkbox"/> TRK Track	<input checked="" type="checkbox"/> COVPLATE Square cover plate	<input type="checkbox"/> BL Black
		<input type="checkbox"/> WH White
		<input type="checkbox"/> SV Silver



## SINGLE CIRCUIT J-TYPE TRACK SYSTEM - MOUNTING AND SUSPENSION

**Suspension Canopy:**

**Ordering example:** TRK/STCPY/BL  
 Suspend track from ceiling or junction box. Includes canopy and track bracket. Stem not included. Suspension stem available to be ordered separately.



Series	Type	Finish
<input checked="" type="checkbox"/> TRK Track	<input checked="" type="checkbox"/> STCPY Stem Canopy	<input type="checkbox"/> BL Black
		<input type="checkbox"/> WH White
		<input type="checkbox"/> SV Silver

**Slope Ceiling Canopy:**

**Ordering example:** TRK/STEMSLOPECPY/BL  
 Suspend track from slope ceiling or junction box. Includes canopy, swivel adapter and track bracket. Stem not included. Suspension stem available to be ordered separately.



Series	Type	Finish
<input checked="" type="checkbox"/> TRK Track	<input checked="" type="checkbox"/> STEMSLOPECPY Stem Slope Ceiling Canopy	<input type="checkbox"/> BL Black
		<input type="checkbox"/> WH White
		<input type="checkbox"/> SV Silver

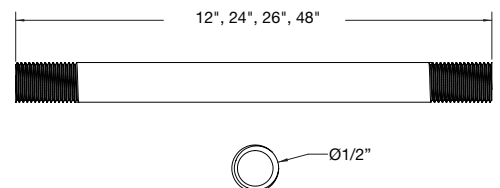
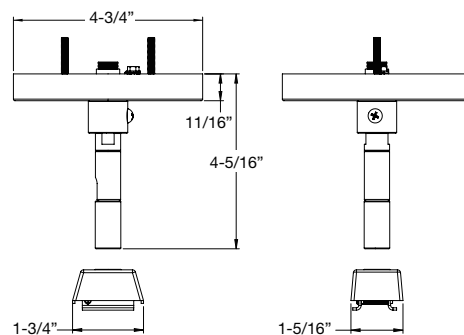
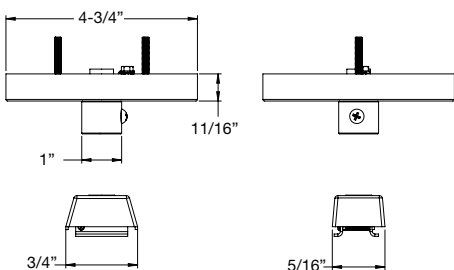
**Stem:**

**Ordering example:** STEM/1-4/12/BL  
 1/4" IPS Suspension Stems (Iron Pipe Standard). 1/2" O.D. 3/4" x 3/4"  
 Threaded at each end. 18 Threads per Inch, 16 Gauge. May be extended using stem coupling.



Series	IPS	Type	Finish
<input checked="" type="checkbox"/> STEM	<input checked="" type="checkbox"/> 1-4 1/4" IPS	<input type="checkbox"/> 12 12" long	<input type="checkbox"/> BL Black
		<input type="checkbox"/> 24 24" long	<input type="checkbox"/> WH White
		<input type="checkbox"/> 36 36" long	<input type="checkbox"/> SV Silver
		<input type="checkbox"/> 48 48" long	

\*Silver stem might be subjected to longer lead time, please contact us for lead time inquiry.





# SINGLE CIRCUIT J-TYPE TRACK SYSTEM

## SINGLE CIRCUIT J-TYPE TRACK SYSTEM - MOUNTING AND SUSPENSION

### Stem Coupling:

Ordering example: STEM1-4/COUPLING/BL  
Connects two suspension 1-4 IPS stems to extend the drop.



### Wire Way Cover:

Ordering example: TRK/SWIRCOV/BL  
Conceals electrical feed wire from stem to end feed.



### T-Bar Mounting Clip:

Ordering example: TRK/TBMOUNTCLIP  
Slide-on Type T-Bar Mounting Clip for flush tile ceiling. Use two for 2ft or 4ft section. Use 3 for 8ft.

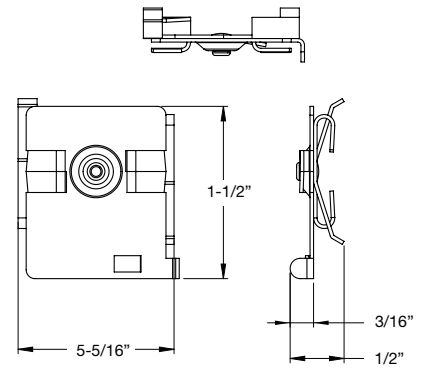
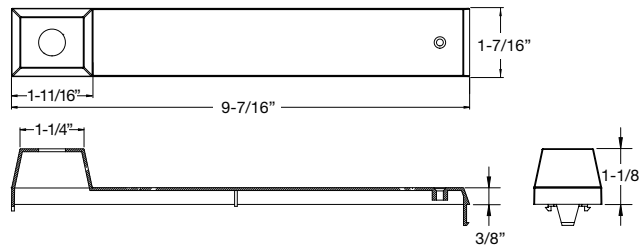
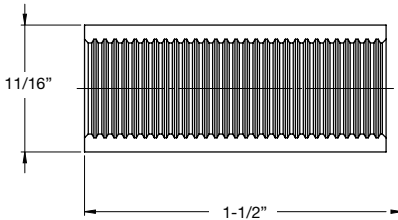


Series	Type	Finish
<input checked="" type="checkbox"/> STEM1-4 1/4" IPS Stem	<input checked="" type="checkbox"/> COUPLING Coupling Extender	<input type="checkbox"/> BL Black
		<input type="checkbox"/> WH White
		<input type="checkbox"/> SV* Silver

Series	Type	Finish
<input checked="" type="checkbox"/> TRK Track	<input checked="" type="checkbox"/> SWIRCOV Wire Way Cover	<input type="checkbox"/> BL Black
		<input type="checkbox"/> WH White
		<input type="checkbox"/> SV Silver

Series	Type
<input checked="" type="checkbox"/> TRK Track	<input checked="" type="checkbox"/> TBMOUNTCLIP Slide-on T-bar mounting clip

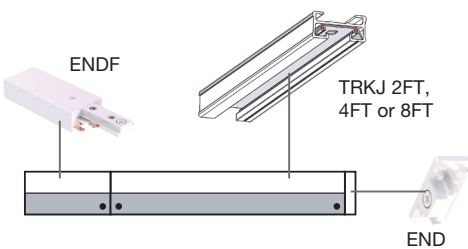
\*Silver stem coupling might be subjected to longer lead time, please contact us for lead time inquiry.



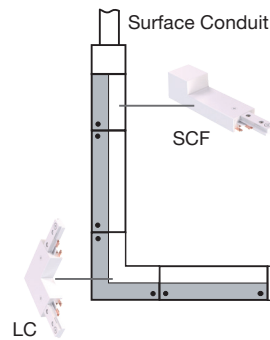
## EXAMPLE OF TRACK SYSTEM INSTALLATION (TOP PLAN VIEW)

Shaded area: Hot side of track system

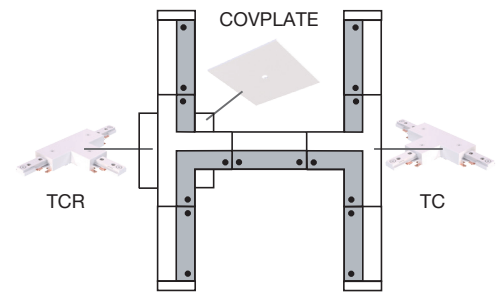
- : Straight section of track (TRKJ/xx/1C/yy)
- : End Cap of track section (TRKJ/END/1C/yy)



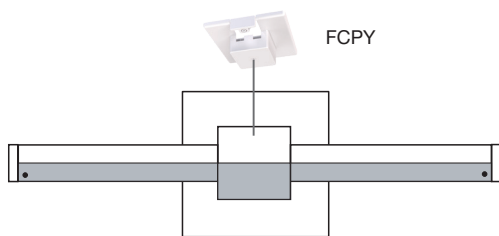
Linear run with end feed connection



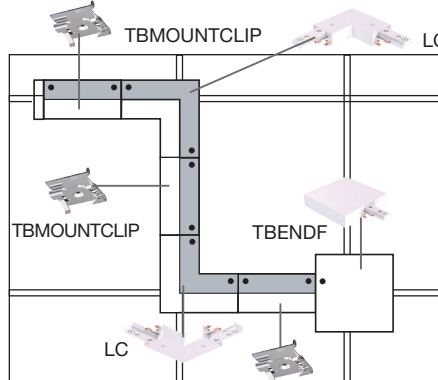
L type run with surface conduit connection



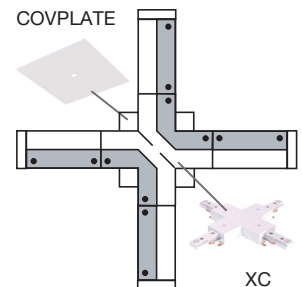
H type run connection from T connector



Linear run connection with middle connection through Jbox



S type run with T-bar ceiling end feed

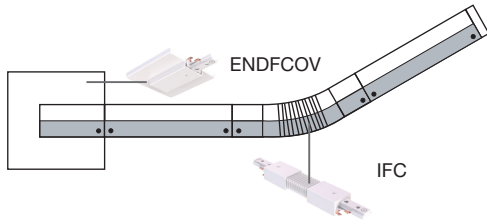


Cross type run with connection from X connector

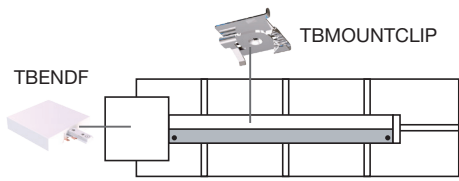


# SINGLE CIRCUIT J-TYPE TRACK SYSTEM

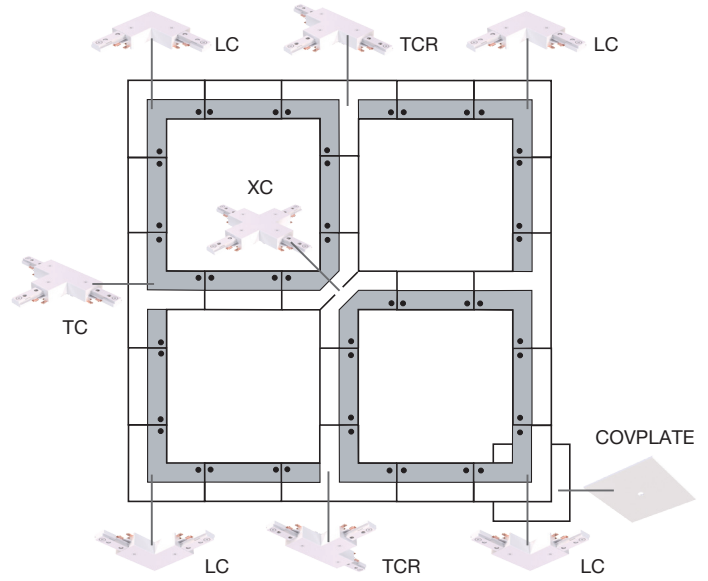
## EXAMPLE OF TRACK SYSTEM INSTALLATION (TOP PLAN VIEW)



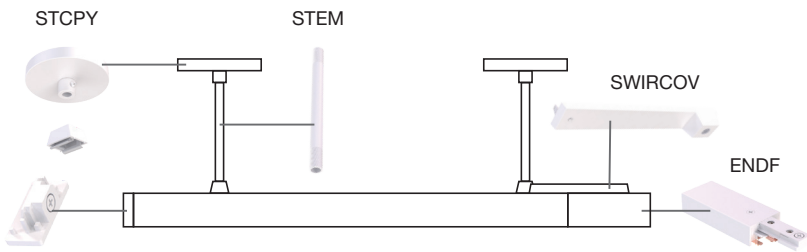
Curved run with surface Jbox connection



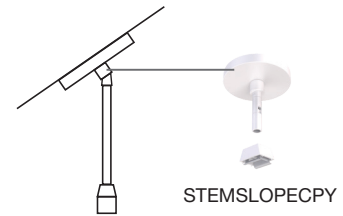
Linear run with T-Bar ceiling end feed



Loop type run with connection from L connector



Pendant Mount Installation - Straight Ceiling (side view)



Pendant Mount Installation - Slope Ceiling (front side view)