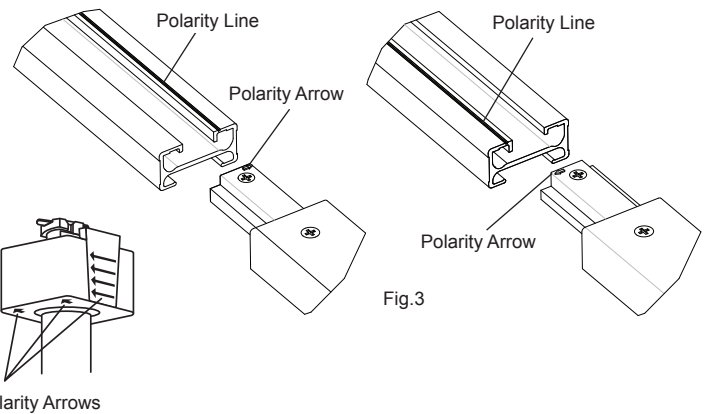
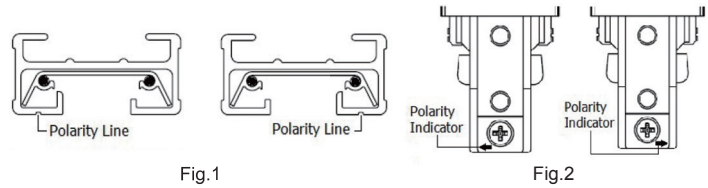


TRACK SYSTEM INSTALLATION GUIDE – WARNING

- WARNING** – Read all product labels and instructions before installing fixture.
- WARNING** – Wear safety gloves and other appropriate safety equipment.
- WARNING** – Disconnect electrical power before installing, adding to or changing the configuration of the track
- WARNING** – Use only fixtures and fittings intended for Single Circuit track Type-J
- WARNING** – The track and all components are rated 120V 50/60 Hz 20A max. per circuit
- WARNING** – Do not exceed the nominal supply voltage or amperage rating.
- WARNING** – Save these instructions and refer to them for additions or changes to the track system configuration

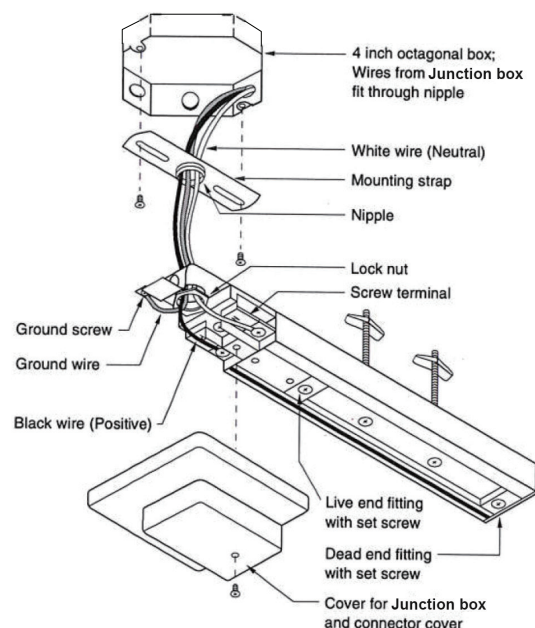
TRACK SYSTEM INSTALLATION – IDENTIFYING POLARITY

1. All Track rail and components are both mechanically and visually polarized to assure proper connections and to simplify installation.
2. The track rail face has a grooved polarity line running the entire length of the track rail which indicates the positive side. (Fig. 1)
3. Track connectors and feedings have embossed arrow which must point to the track rail polarity grooved line when installed. (Fig. 2)
4. When installing end feeds and couplings, the small arrow on the feed or coupling needs to be inserted into the track rail pointing at the polarity line. (Fig. 3)
5. Track rails must be coupled together maintaining polarity of the entire track run. Insert couplings and track feeds fully into track housing maintaining polarity connections. Tighten set screw at each coupling/feed point. Endcaps are not polarized.
6. Track fixture connectors have embossed arrow which must point to Track rail polarity grooved line when installed. (Fig. 4)



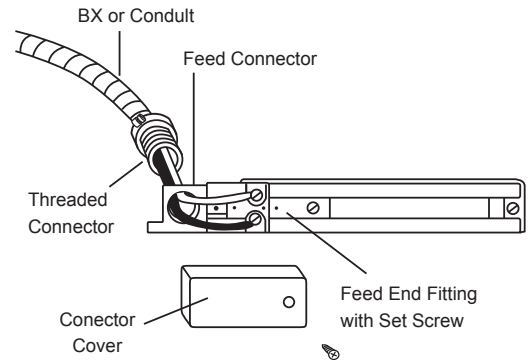
TRACK SYSTEM INSTALLATION – JUNCTION BOX

1. Make sure the POWER IS TURNED OFF at the source of the junction box in which you are installing the product.
2. Attach mounting strap to junction box
3. Insert feed connector fully into the track with arrow pointing toward the track polarity line and secure with set screw.
4. Attach track rail to ceiling with toggle bolts or screw. For T-Grid ceilings uses T-bar mounting clip (TRK/TBMOUNTCLIP #35864, order separately), maximum distance between clips is 4'. For pendant mount use appropriate Canopy and stem or cable (order separately), maximum pendant spacing is 4'.
5. Lock feed connector to nipple with lock nut.
6. Pull wires through nipple and connector lock nut.
7. Connect Positive/Line wire (Black) to screw terminal marked P. And connect Neutral wire (white) to screw terminal marked N. Connect ground wire (Green) to ground screw.
8. Place junction box cover over the live connection fitting and secure by tightening the screw.
9. Follow fixture instructions for fixture connection to track rail.



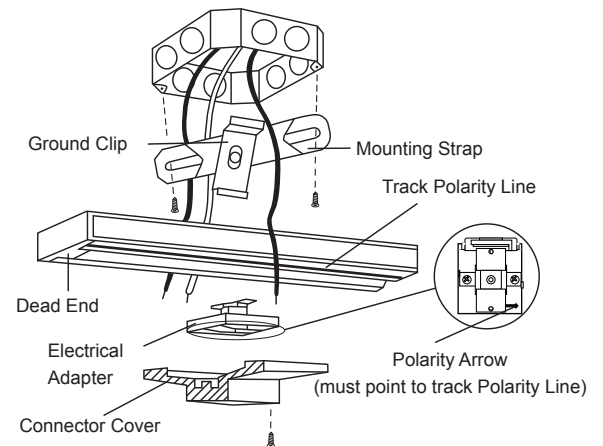
TRACK SYSTEM INSTALLATION – REMOTE JUNCTION BOX WITH MC CABLE

1. Make sure the POWER IS TURNED OFF at the source of the junction box in which you are installing the product.
2. Remove any knockouts, if required, before attaching conduit. Secure conduit to the track connector with proper fittings.
3. Insert feed connector fully into track with arrow pointing toward the track polarity line and secure with set screw.
4. Attach track rail to ceiling with toggle bolts or screw. For T-Grid ceilings uses T-bar mounting clip (TRK/TBMOUNTCLIP #35864, order separately), maximum distance between clips is 4'. For pendant mount use appropriate Canopy and stem or cable (order separately), maximum pendant spacing is 4'.
5. Pull wires through feed connectors. Connect Positive/Line wire (Black) to screw terminal marked P. And connect Neutral wire (white) to screw terminal marked N. If required connect ground wire (Green) to ground screw.
6. Place connector cover over the live connection fitting and secure by tightening the screw.
7. Follow fixture instructions for fixture connection to track rail.



TRACK SYSTEM INSTALLATION – FLOATING CANOPY

1. Make sure the POWER IS TURNED OFF at the source of the junction box in which you are installing the product.
2. Attach Mounting Strap and Ground Clip to junction box. Connect ground wire (Green) to ground clip and screw.
3. Place track rail under junction box in desired position, rotate ground clip to insert track rail, and push it into clip, until ground clip is securely inserted into track side grooves.
4. Attach track rail to ceiling with toggle bolts or screw. For T-Grid ceilings uses T-bar mounting clip (TRK/TBMOUNTCLIP #35864, order separately), maximum distance between clips is 4'. For pendant mount use appropriate Canopy and stem or cable (order separately), maximum pendant spacing is 4'.
5. Connect electrical adapter to the track rail, when looking from below polarity arrow must point to track polarity line. Ensure electrical adapter is centered with junction box.
6. Connect Positive/Line wire (Black) to screw terminal marked P. And connect Neutral wire (white) to screw terminal marked N. Tuck excess wire in the junction box.
7. Place connector cover onto electrical adapter and secure by tightening the screw.
8. Follow fixture instructions for fixture connection to track rail.



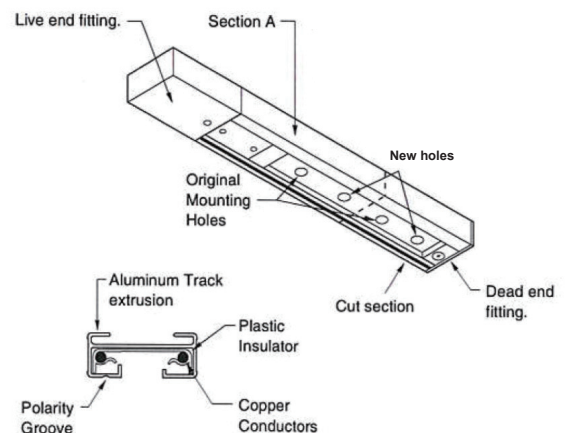
TRACK SYSTEM INSTALLATION – FIELD CUTTING AND DRILLING

Cutting the Track:

1. A fine tooth hacksaw is recommended for to ensure a nice clean cut. Make sure that the aluminum track and plastic insulator are the same length prior to making any cuts.
2. Remove dead end fitting and push the insulator and copper conductors until they are flush with one end of the track, then cut at the opposite end to the length required allowing 1/8" for dead end fitting. Remove burrs, and ensure the cut is straight and clean and that no chips or fillings remain in the track.
3. Once track is cut, all copper conductors should be cut 3/16" from each end to prevent arcing and allow couplings and power feeds to be inserted completely.
4. Put dead end back in place and continue with track installation per above instructions.

Drilling the Track:

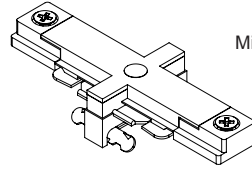
1. If new mounting holes are required, a minimum of two holes are required per track section. The first hole must be between 2" and 6" from the end of the track. Subsequent mounting holes cannot be more than 48" apart.
2. Locate and drill a 1/4" diameter hole through the center line of the aluminum track and insulator.
3. Remove burrs, and ensure the hole is centered and clean, and that no chips or fillings remain in the track.



TRACK SYSTEM INSTALLATION – CONNECTORS

Mini I connector:

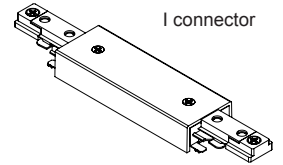
Connects two track sections end to end. Low profile design for a clean continuous run. Cannot be used as feed point.



Mini I connector

I Connector:

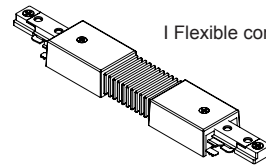
Connects two track sections end to end. May be used as feed point, cover plate is required over junction box.



I connector

I Flexible Connector:

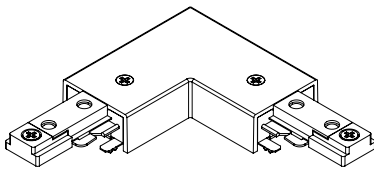
Connects two track sections up to 90° left, right, up or down. Cannot be used as feed point.



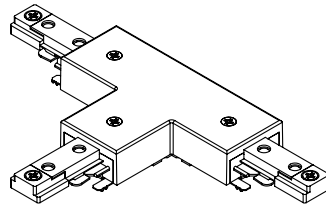
I Flexible connector

L Connector:

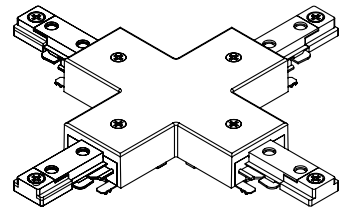
Connects two track sections end to end in a 90° angle configuration. May be used as feed point with cover plate is required over junction box. If opposite polarity is needed unscrew and remove cover, rotate connector legs to desired polarity, place cover back and tighten the screws to secure it. May be used as feed point, cover plate is required over junction box.



L connector



T connector



X connector

T Connector:

Connects three track sections in a T shape configuration. Reverse polarity available ("R"). May be used as feed point, cover plate is required over junction box.

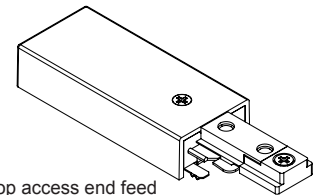
X Connector:

Connects four track sections in an X configuration. Factory wired for two separate 90° runs. May be field wired for one run. May be used as feed point, cover plate is required over junction box.

TRACK SYSTEM INSTALLATION – POWER FEEDS

Top Access End Feed:

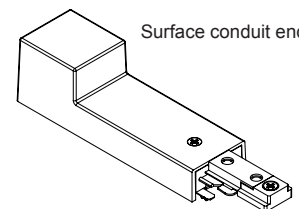
For direct wiring through ceiling with junction box or end feed in suspension, cover plate is required over junction box. Accepts 3/8" or 1/2" (trade size) electrical fittings.



Top access end feed

Surface conduit End Feed:

For surface conduit wiring. Accepts 3/8" or 1/2" (trade size) electrical fittings.



Surface conduit end feed

End feed Kit with cover:

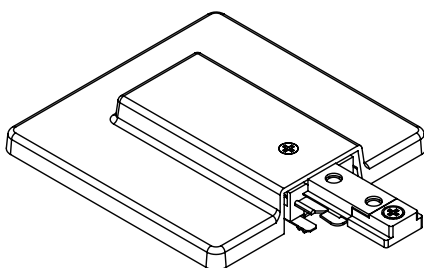
For Wiring through junction box. Built-in junction box cover.

Floating Canopy:

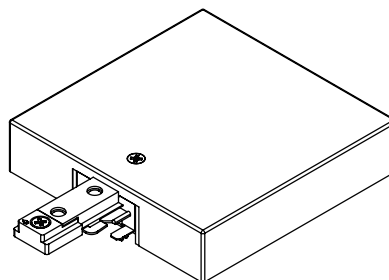
For wiring through junction box. Can be located anywhere along track

T-Bar end feed:

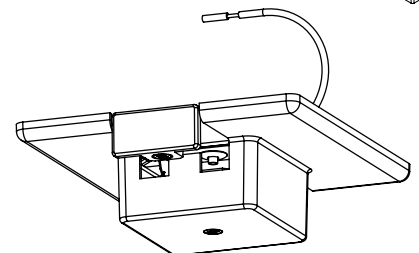
Direct wiring through ceiling tile with junction box when T-Bar is directly above track. Accepts 3/8" or 1/2" (trade size) electrical fittings.



End Feed Kit with cover



T-Bar end feed



Floating Canopy