

Project Name:	Type:
Part Number:	Date:

4" INNOFIT GEN 2 COMMERCIAL DOWNLIGHT

SPECIFICATION FEATURES

- **Mechanical** - INNOFIT, with integrated driver, retrofits existing commercial housings and is field accessible from below the ceiling. Stainless steel spring action clips accommodate ½" to 2" ceiling thicknesses. Optional New Construction housing available.
- **Electrical** - Field select from three lumen outputs using SelectDrive technology. Universal 120-277V or 120V only, 50/60 Hz drivers available. Universal 0-10V drivers are dimmable to 5% with low end cutoff. 120V drivers are dimmable to 10% using forward or reverse phase dimmers.
- **Optical** - Self flanged, spun aluminum reflector with baffle trim for pleasant aesthetic in matte white finish. High resistance polycarbonate optical lens, with smooth diffusion. 90° beam angle. LED binned to 3-step SDCM to ensure color uniformity in 2700K, 3000K, 3500K, 4000K or 5000K CCT, with Minimum 80 CRI.
- **Thermal** - Fixture designed using passive thermal management to achieve a L70 rating of 50,000 hours. Fixture operating temperature: -13°F to 95°F (-25°C to 35°C).
- **Compliance and Warranty** - ETL Classified and Listed for wet locations. Certified air-tight per ASTM 283-04. IC Rated for direct contact with insulation. Complies with FCC 47CFR Part 15B consumer limits for EMI/RFI emissions. 5 year parts warranty for complete fixture. Optional 10 Year Extended Warranty available, subject to same terms, conditions and installation requirements as standard 5 Year Warranty.



040921



BENEFITS

- Field select lumen output
- Quick and easy installation
- 0-10V or 120V dimmable
- Wet Location, IC and Airtight Rated
- Long life time, L70 Rated for 50,000 hours

APPLICATIONS

- New and retrofit construction
- Shallow plenum applications
- Commercial
- Retail & Office
- Education and Hospitality

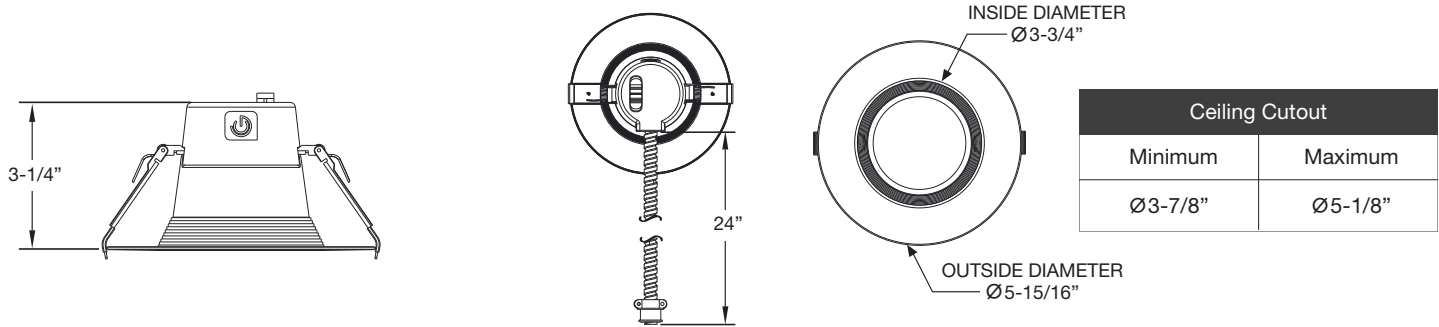
ORDERING INFORMATION

Series	Size	CRI	CCT	Dimming
<input checked="" type="checkbox"/> INFT INNOFIT	<input checked="" type="checkbox"/> 4 4" 500 / 700 / 1,000 lumens	<input checked="" type="checkbox"/> 8 CRI 80	<input type="checkbox"/> 27 2700K	<input type="checkbox"/> DIM010UNV 120-277V, 0-10V (Dimmable to 5%)
			<input type="checkbox"/> 30 3000K	
			<input type="checkbox"/> 35 3500K	
			<input type="checkbox"/> 40 4000K	
			<input type="checkbox"/> 50 5000K	



4" INNOFIT GEN 2 COMMERCIAL DOWNLIGHT

LINE DRAWINGS



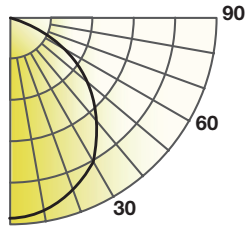
Ceiling Cutout	
Minimum	Maximum
Ø3-7/8"	Ø5-1/8"

TECHNICAL INFORMATION

Dimming	Input Voltage	Input Frequency	Input Current (Low / Med / High)	Input Power	THD Power	Power Factor
DIM120V	120V	50 / 60Hz	0.045 / 0.06 / 0.085A	5 / 7 / 10W	<20%	>0.9
DIM010VUNV	120V	50 / 60Hz	0.045 / 0.06 / 0.085A	5 / 7 / 10W	<20%	>0.9
	277V					

PHOTOMETRY

INFT4/835/DIM010UNV (HIGH OUTPUT)



Lumens: 1,149 lm
CBCP: 518 cd
Power: 10.2 W
Efficacy: 112 lm/W
CRI: 80+
Spacing Criteria: 1.18
Beam Angle: 94.6°

Candlepower Distribution	
Angle (°)	Average (cd)
0	515
5	514
15	491
25	444
35	374
45	288
55	196
65	109
75	38
85	6
90	0

Initial Footcandles		
Height (ft)	Fc	Diameter (ft)
8	12	17.3
9	9	19.5
10	8	21.7
12	5	26.0
15	3	32.5


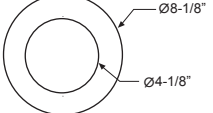

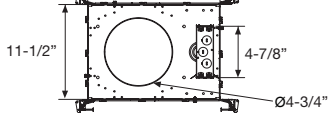

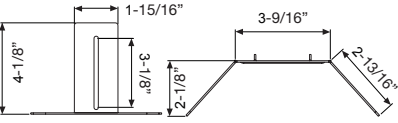

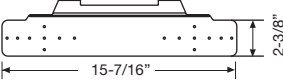

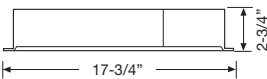
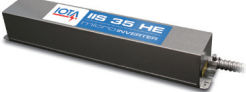
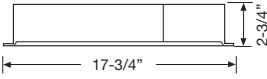

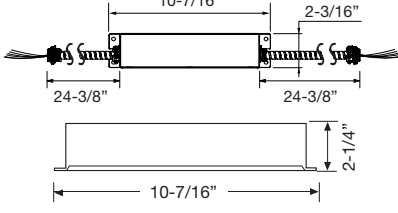
Zonal Lumen Summary		
Zone	Lumens	%Fixture
0-30	388	34%
0-40	618	54%
0-60	1,001	87%
0-90	1,149	100%

NOMINAL PERFORMANCE

CCT	2700K			3000K			3500K			4000K			5000K		
	Low	Med	High	Low	Med	High	Low	Med	High	Low	Med	High	Low	Med	High
Lumens	510	715	1,020	525	735	1,050	535	750	1,070	545	765	1,090	545	765	1,090
LPW	102	102	102	105	105	105	107	107	107	109	109	109	109	109	109



4" INNOFIT GEN 2 COMMERCIAL DOWNLIGHT

ACCESSORY ORDERING INFORMATION				
Product	Model	Description	Pictures	Dimensions
98569	GOOFRING4	4" Goof Ring - Outer Diameter 8-1/8"		
35121	NCFJB4	4" Round New Construction Rough-in Frame with Jbox		
35126	NCFBFB	Field Installable Butterfly Brackets For New Construction Rough-in Frame		
35125	NCFEMB	Field Installable Emergency Bracket For New Construction Rough-in Frame		
58012	35EMINVERTER	35W Emergency Inverter (Field Installation)		
58013	35EMINVERTER/CEC	California Title 20 Compliant 35W Emergency Inverter (Field Installation)		
98003	23EMDRIVER	California Title 20 Compliant 23W Emergency LED Driver (Field Installation)		



4" INNOFIT GEN 2 COMMERCIAL DOWNLIGHT

ORDERING GUIDE

Product	Model
35061	INFT4/827/DIM010UNV
35062	INFT4/830/DIM010UNV
35063	INFT4/835/DIM010UNV
35064	INFT4/840/DIM010UNV
35065	INFT4/850/DIM010UNV
35101	INFT4/827/DIM120V
35102	INFT4/830/DIM120V
35103	INFT4/835/DIM120V
35104	INFT4/840/DIM120V
35105	INFT4/850/DIM120V

10 YEAR EXTENDED WARRANTY

Model	INFT4/10YEARWARRANTY
-------	----------------------

Note: All rights reserved. All sizes and specifications are subject to change at any time without notice.