



Project	
Notes	
Type	Date
Cat. No.	

UFO2™ Series

UFO LED High Bay

DESCRIPTION

The UFO2 is an outstanding value for a wide variety of applications and mounting heights. Precision design optics, lumen outputs and color temperatures make the UFO2 an ideal one-for-one replacement of conventional high bay systems such as HID and fluorescent for industrial, commercial, manufacturing, gymnasium. The UFO2 Series is fully dimmable and is compatible with building controls, motion sensors and day light harvesting systems. The LED's enable long-life, high lumen maintenance, high CRI and are low maintenance and constructed without hazardous material.



UFO2 Series

- 11.8" Housing**
100W (13,500 Lumens)
150W (20,200 Lumens)
- 14.17" Housing**
200W (27,000 Lumens)
240W (32,400 Lumens)

- Rated Life** 60,000 hours
- Limited Warranty** 5 years
- Efficacy** up to 135 LPW
- Continuous Dimming**



Quick Ship/ DLC Listed

Coming soon

Specification Features



Construction

Rigid, die-cast aluminum housing. Precision-engineered and manufactured optics to optimize light delivery to the working plane. Convenient mounting options and bracket for controls integration and multiple connection options. Housing features radiator slots for heat dissipation and low temperature LED operation.

Qualifications

All luminaires are built to UL 1598 and 2108 standards. Wet location labeling is standard. Emergency equipped fixtures labeled UL924. Adheres to LM70, LM80 and TM21 industry standards. DesignLights Consortium® (DLC) DLC qualified product. Not all product variations listed are DLC qualified. Please visit the DLC Qualified Products List at www.designlights.org/QPL to confirm which models are qualified.

Electrical

Equipped standard with a 0-10V continuous dimming driver that works with any standard 0-10V control/dimmer. Long-Life LED's 60,000 hours at L80 with projected life over 100,000 hours for reduced life cycle maintenance costs.

Installation

Luminaire can be ceiling hung or suspended mounted.

Warranty

5-year limited warranty. See complete warranty for terms and exclusions.

Options

Optional plug-in On/Off or Bi-Level Motion sensor and reflectors.

Ordering Information

Example: UFO2-150-MVD-850

UFO2	150	MVD	8	50	UFO-MOSB
Series UFO2 UFO LED High Bay	Rated Wattage 11.8" Housing 100- 100W (13,500 Lumens) ² 150- 150W (20,200 Lumens) ² 14.17" Housing 200- 200W (27,000 Lumens) ¹ 240- 240W (32,400 Lumens) ¹	Driver Type MVD- 120-277V; 0-10V Dimming ² HVD-347-480V,0-10V Dimming ¹	CRI 8 80 CRI ²	Color Temp 40 4000K ¹ 50 5000K ²	Sensor UFO MOSB-Fixture Mounted Bi-Level Microwave Sensor, with daylight sensor.
			Emergency Backup N/A	Accessories SMK-UFO2-100/150- Surface Mount Kit for UFO High Bay PMK-UFO2- Pendant Mount Kit for UFO High Bay	

Specifications and Dimensions subject to change without notice

Performance Summary

Input Voltage	120-277V
Input Frequency	50/60 Hz
Rated Wattage	See Performance Table
Delivered Lumens	See Performance Table
Efficacy	> 135 lm/W
CRI	80+, R9 > 0
Available CCT ¹	4000K, 5000K
Color Consistency ²	5-step MacAdam Ellipse
Rated Life	60,000 hours
L70 ³	> 72,000 hours or > 45,000
Power Factor	>0.90
THD	< 2.3%
Dimming	0-10V Continuous (10-100%)
Operating Temp.	-40°C - 80°C
Beam Angle	90 Degrees

Performance Data

Lens Type	Form Factor	Catalog No.	Rated Wattage (W)	Delivered Lumens	Efficacy (lm/W)
	11.8"	UFO2-100-MVD-850	100W	13,500	135
		UFO2-150-MVD-850	150W	20,200	135
	14.17"	UFO2-200-MVD-850	200W	27,000	135
		UFO2-240-MVD-850	240W	32,400	135

NOTES:

- ¹ Made to order items. Minimum 90 day lead time. Minimum 500 order quantity.
- ² DLC Listed
- ³ DLC Premium Listed
- ⁴ Quick ship: 4000K,5000K. Other CCTs may require a lead time or be special order
- ⁵ Typical color consistency. May vary or be changed.
- ⁶ L70 hours calculated based on LED package manufacturer LM80 report and ISTMT report of LED in luminaire. Stated values are for select catalog numbers. Contact GlobaLux for detailed information.
- ⁷ Actual performance may differ as a result of end-user environment and application. All values are design or typical values, measured under laboratory conditions at 25 °C.

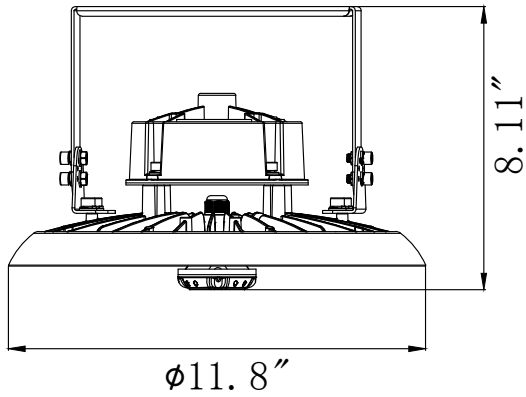


Specifications and Dimensions subject to change without notice

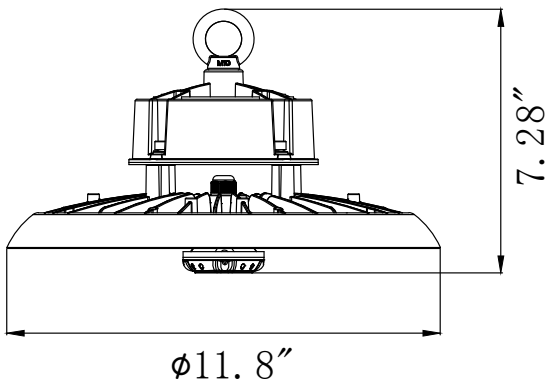
Product Dimensions

UFO-100/150 (11.8")

Surface Mounted

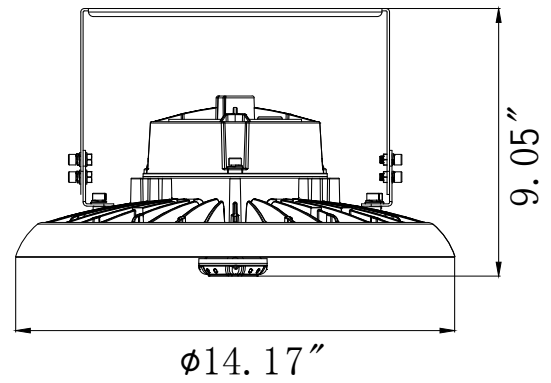


Pendant Mounted

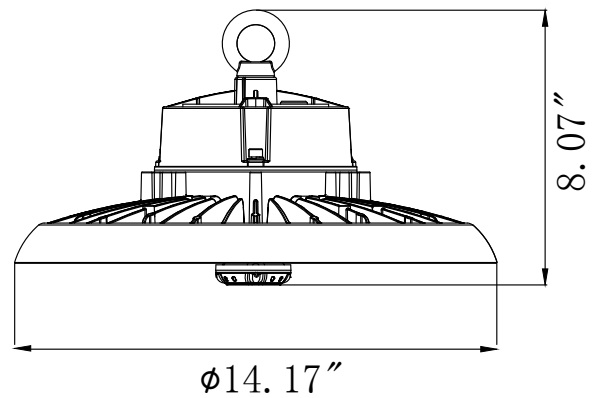


UFO-200/240 (14.17")

Surface Mounted



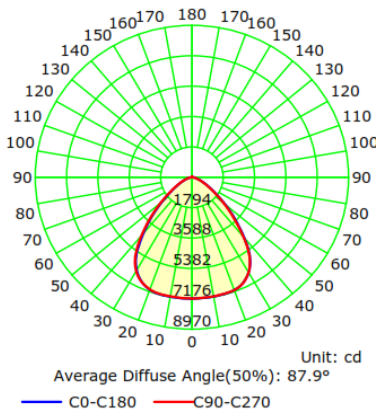
Pendant Mounted



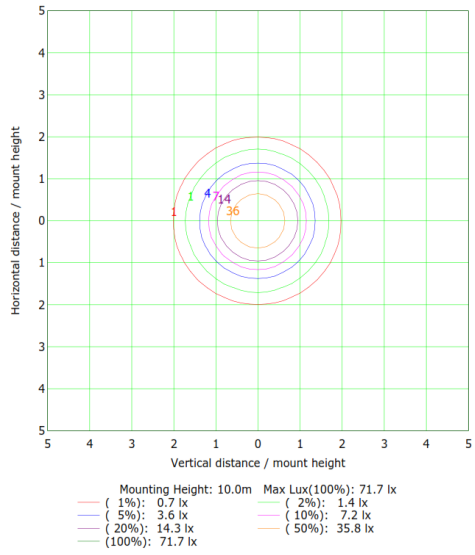
Photometric Data

UFO2-100-MVD-850 Tested in accordance to IESNA LM-79

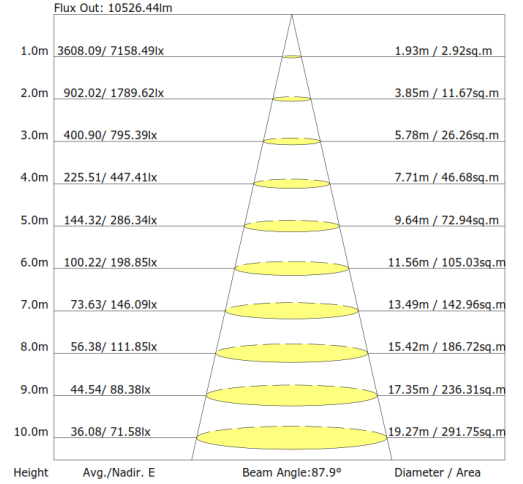
Luminous Intensity Distribution Curve



IsoLux Plot



Average Illuminance Effective Figure



Accessory Options



© 2019 GlobaLux Lighting, LLC. All rights reserved. For informational purposes only. Reproduction in whole or part is prohibited without prior written consent of the copyright owner. The information presented in this document does not form part of any quotation or contract, is believed to be accurate and reliable and may be changed without notice. No liability will be accepted by the publisher for any consequences of its use. GlobaLux Lighting reserves the rights make changes in specification at any time without notice.

GlobaLux Lighting LLC
www.globaluxlighting.com
2037 S. Vineyard Ave
Ontario, CA 91761
Ph: 909-591-7506