



Project	
Notes	
Type	Date
Cat. No.	

LGN™ Series

LED Goose Neck

DESCRIPTION
 The LGN Series LED Gooseneck couple rustic style with modern LED technology. This timeless classic was frequently used on barns, warehouses, and industrial complexes during the early 20th century and is now used by top designers for residential indoor and outdoor lighting, commercial lighting and restaurant lighting. Swivel located on top of the shade will enable you to angle the fixture up and down, to optimize the light spread on the wanted area, all while remaining highly efficient



LGN Series
 34W, (4,550 Lumens)



Specification Features

Construction
 Rugged die cast aluminum housing withstands outdoor environments. Outer surface treated with durable power coating to provide resistant to corrosion, rust, weathering, and or degradation.

Qualifications
 All luminaires are built to UL 1598 and 2108 standards, and bear appropriate ETL labels. Wet location labeling is standard. Emergency equipped fixtures labeled UL924. Adheres to LM70, LM80, and TM21 industry standards. ENERGY STAR® certified product (for 3000K only). Dedicated 120V Models are FCC Title 47 CFR, Part 15, Class B for residential and commercial applications.

Electrical
 Equipped standard with fixed output, 120-277V driver operating at 60Hz. Long Life LED's, at L80 with projected life over 60,000 hours for reduced life cycle maintenance costs.

Installation
 Designed for mounting on a 4" electrical J-box.

Warranty
 5-Year Limited Warranty. See warranty documentation for more information.

Rated Life 60,000 hours
Limited Warranty 3 years
Efficacy Up to 133 LPW

Quick Ship
 LNG-35-MVD-840-BR
 LNG-35-MVD-840-WH

Ordering Information

Example: LGN-34-MVD-830/40/50

LGN	34	MVD	8	40	BL	P
Series LGN LED Goose Neck	Rated Wattage 34- 34W (4,550 Lumens)	Driver Type MVD- 120-277V; 0-10V Dimming	CRI 8 80+ CRI	Color Temp 40- 4000 Kelvin	Finish BL- Black² WH- White BR- Bronze	Option P- Photocell

Specifications and Dimensions subject to change without notice.

Performance Summary

Input Voltage	120-277V
Input Frequency	50/60 Hz
Rated Wattage	34W
Delivered Lumens	4,550
Efficacy	133 LPW
CRI	80+, R9 > 0
Available CCT ¹	4000K
Color Consistency ²	5-step MacAdam Ellipse
Rated Life	60,000 hours
L70 ³	> 72,000 hours or > 45,000
Power Factor	>0.99
THD	< 20%
Dimming	0-10V Dimming
Operating Temp.	-18°C to 40°C

Performance Data

Lens Type	Form Factor	Catalog No.	Rated Wattage (W)	Delivered Lumens	Efficacy (lm/W)
Frosted Acrylic		LGN-34-MVD-840	34	4,550	133

NOTES:

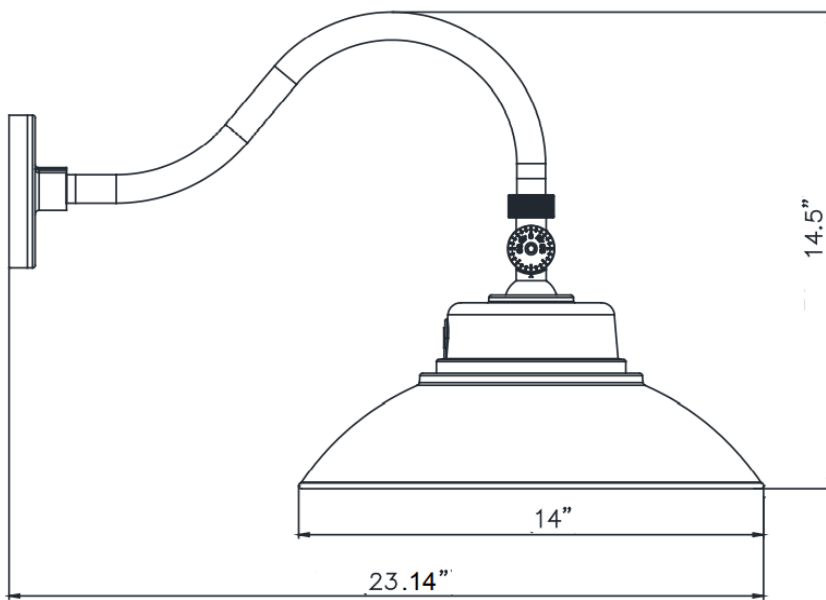
- ¹ Made to order items. Minimum 90 day lead time. Minimum 500 order quantity.
- ² Energy star listed
- ³ Quick ship: Made To Order Only
- ⁴ Typical color consistency. May vary or be changed.
- ⁵ L70 hours calculated based on LED package manufacturer LM80 report and ISTMT report of LED in luminaire. Stated values are for select catalog numbers. Contact manufacturer for detailed information
- ⁶ Actual performance may differ as a result of end-user environment and application. All values are design or typical values, measured under laboratory conditions at 25 °C.



Specifications and Dimensions subject to change without notice.

Product Dimensions

LGN-34



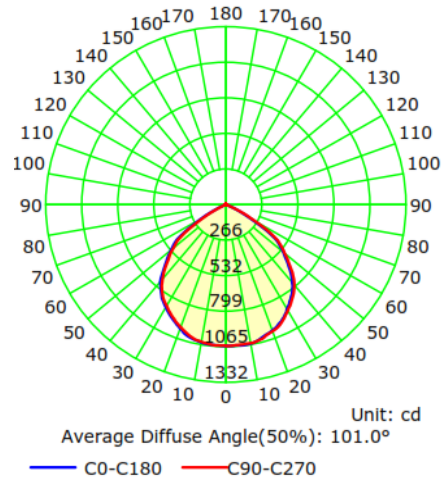
Product **Photometric**

LGN-34-MV-830/40/50 Tested in accordance to IESNA LM-79

Zonal Lumen Summary

ZONE	LUMENS	% LAMP LUMENS
FORWARD LIGHT	2028	48.8
FL (0°-30°)	703	16.9
FM (30°-60°)	1203	29.0
FH (60°-80°)	121	2.9
FVH (80°-90°)	2	0.0
BACK LIGHT	2109	50.8
BL (0°-30°)	714	17.2
BM (30°-60°)	1263	30.4
BH (60°-80°)	130	3.1
BVH (80°-90°)	2	0.0
UP LIGHT	17	0.4
UL (90°-100°)	2	0.0
UH (100°-180°)	15	0.4

Polar Candela Curve



Coefficient of Utilization

Reflectance: Ceiling (cavity)	0.7	0.7	0.5	0.5	0.3	0.7	0.7	0.5	0.5	0.3
Wall	0.5	0.3	0.5	0.3	0.3	0.5	0.3	0.5	0.3	0.3
Reference plane	0.2	0.2	0.2	0.2	0.2	0.2	0.2	0.2	0.2	0.2
Room dimensions	Viewed crosswise					Viewed endwise				
X=2H Y=2H	-1.5	-1.5	-1.5	-1.5	-1.5	-1.5	-1.5	-1.5	-1.5	-1.5
3H	-1.5	-1.5	-1.5	-1.5	-1.5	-1.5	-1.5	-1.5	-1.5	-1.5
4H	-1.5	-1.5	-1.5	-1.5	-1.5	-1.5	-1.5	-1.5	-1.5	-1.5
6H	-1.5	-1.5	-1.5	-1.5	-1.5	-1.5	-1.5	-1.5	-1.5	-1.5
8H	-1.5	-1.5	-1.5	-1.5	-1.5	-1.5	-1.5	-1.5	-1.5	-1.5
12H	-1.5	-1.5	-1.5	-1.5	-1.5	-1.5	-1.5	-1.5	-1.5	-1.5
X=4H Y=2H	-1.5	-1.5	-1.5	-1.5	-1.5	-1.5	-1.5	-1.5	-1.5	-1.5
3H	-1.5	-1.5	-1.5	-1.5	-1.5	-1.5	-1.5	-1.5	-1.5	-1.5
4H	-1.5	-1.5	-1.5	-1.5	-1.5	-1.5	-1.5	-1.5	-1.5	-1.5
6H	-1.5	-1.5	-1.5	-1.5	-1.5	-1.5	-1.5	-1.5	-1.5	-1.5
8H	-1.5	-1.5	-1.5	-1.5	-1.5	-1.5	-1.5	-1.5	-1.5	-1.5
12H	-1.5	-1.5	-1.5	-1.5	-1.5	-1.5	-1.5	-1.5	-1.5	-1.5
X=8H Y=4H	-1.5	-1.5	-1.5	-1.5	-1.5	-1.5	-1.5	-1.5	-1.5	-1.5
6H	-1.5	-1.5	-1.5	-1.5	-1.5	-1.5	-1.5	-1.5	-1.5	-1.5
8H	-1.5	-1.5	-1.5	-1.5	-1.5	-1.5	-1.5	-1.5	-1.5	-1.5
12H	-1.5	-1.5	-1.5	-1.5	-1.5	-1.5	-1.5	-1.5	-1.5	-1.5
X=12H Y=4H	-1.5	-1.5	-1.5	-1.5	-1.5	-1.5	-1.5	-1.5	-1.5	-1.5
6H	-1.5	-1.5	-1.5	-1.5	-1.5	-1.5	-1.5	-1.5	-1.5	-1.5
8H	-1.5	-1.5	-1.5	-1.5	-1.5	-1.5	-1.5	-1.5	-1.5	-1.5

