



Project	
Notes	
Type	Date
Cat. No.	

LDL4™ Series

LED Disk Light, Low Profile Lens



DESCRIPTION

This series provides customers with a high quality luminaire utilizing the latest LED, solid state lighting and electronic driver technology for optimal performance and maximized energy efficiency. With a traditional opal white lens, the LDL4 series produces even and uniform light distribution and ideal choice for offices, corridors, stairways, bedroom, closet, and foyers applications where customers are replacing incandescent, circline or compact fluorescent lamps. The LED Based LDL4 series is a ceiling or wall mount series which can be used in a broad range of residential and commercial applications.

Specification Features



Construction

Aluminum spun reflection with diffusion lens for Optimal visual comfort while providing uniform light output. Lens design and materials provide uniform appearance without pixelation.

Qualifications

All luminaires are built to UL 1598 and 2108 standards, and bear appropriate ETL labels. Wet location labeling is standard. Adheres to LM70, LM80, and TM21 industry standards. ENERGY STAR® certified product (for 3000K and 4000K only) and Title 24 qualified. Dedicated 120V Models are FCC Title 47 CFR, Part 15, Class B for residential and commercial applications. California Title 24 Compliant, JA8 Compliant, CEC Listed, State of California Energy Commission.

Warranty

3-year Limited Warranty. See warranty documentation for more information.

Electrical

Equipped standard with 120V 10-100% dimming driver.

Installation

6" models are designed for mounting on a 4" electrical J-box. 4" models are designed for mounting on a 3" electrical J-box.

LDL4 Series

4" Housing
11W (700 Lumens)

6" Housing
15W (1,000 Lumens)

Rated Life 50,000 hours
Limited Warranty 3 years
Efficacy Up to 70 LPW
Triac Dimming



Quick Ship

LDL4-4-11-120D-930-WH
LDL4-4-11-120D-940-WH
LDL4-4-11-120D-930-NS
LDL4-4-11-120D-930-ORB
LDL4-6-15-120D-930-WH
LDL4-6-15-120D-940-WH
LDL4-6-15-120D-930-NS
LDL4-6-15-120D-930-ORB

Ordering Information

Example: LDL4-6-15-120D-930-WH

LDL4	6	15	120D	9	40	WH
Series LDL4 LED Disk Light, Low Profile Lens	Size 4-4"¹ ² 6- 6"¹ ²	Rated Wattage 4" Housing 11- 11W (750 Lumens)¹ ² 6" Housing 15-15W (1000 Lumens)¹ ²	Driver Type 120D-120V Dimming, Dims to 10%	CRI 9 90+ CRI¹ ²	Color Temp 30 3000 K¹ ² 40 4000 K¹	Finish NS- Nickel Satin¹ ORB- Oil¹ Rubbed Bronze¹ WH- White¹ ²
Options						
Emergency Backup						
EM-LDL-6-WH 6" Emergency Battery						
EMBX-LDL-6-WH 6" Blank Box for EM unit						

Specifications and Dimensions subject to change without notice.

Performance Summary

Input Voltage	120V
Input Frequency	50/60 Hz
Rated Wattage	See Performance Table
Delivered Lumens	See Performance Table
Efficacy	70 LPW
CRI	90+, R9 > 0
Available CCT ¹	3000K, 4000K
Color Consistency ²	5-step MacAdam Ellipse
Rated Life	50,000 hours
L70 ³	> 72,000 hours or > 45,000
Power Factor	>0.99
THD	< 20%
Dimming	120V Dimming(10-100%)
Operating Temp.	-18°C to 40°C

Performance Data

Lens Type	Form Factor	Catalog No.	Rated Wattage (W)	Delivered Lumens	Efficacy (lm/W)
Acrylic		LDL4-4-11-120D-930-WH	11W	700	63.6
		LDL4-6-15-120D-930-WH	15W	1,050	70

NOTES:

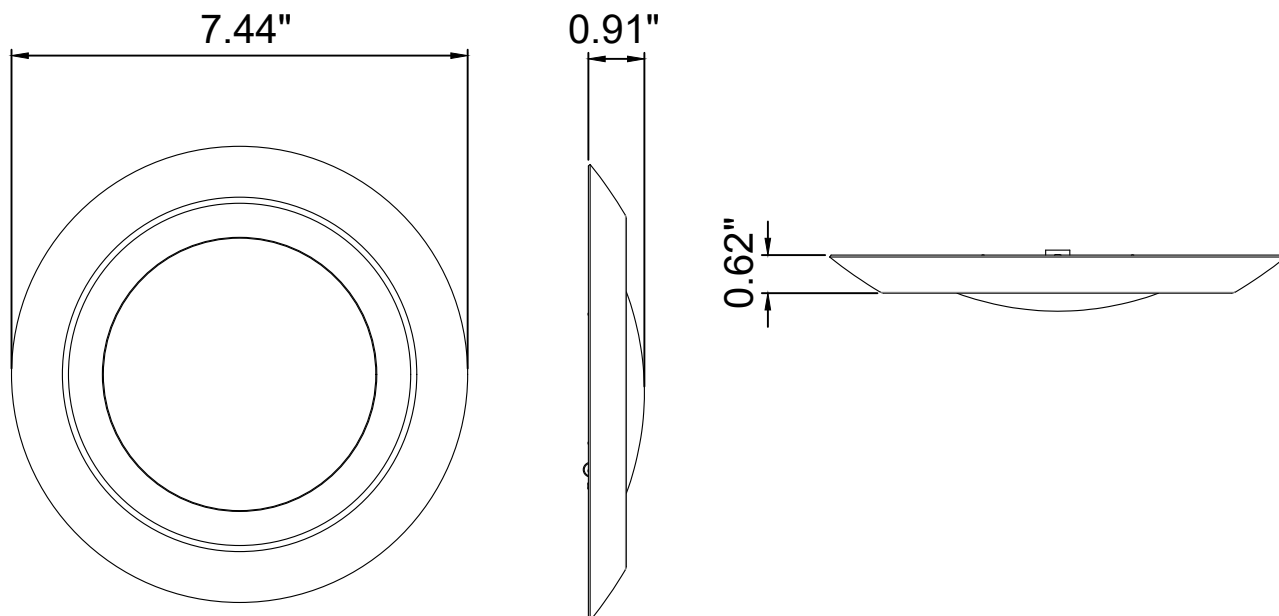
- ¹ Made to order items. Minimum 90 day lead time. Minimum 500 order quantity.
- ² Energy star listed
- ³ Quick ship: 3000K and 4000K. Other CCTs may require a lead or special order
- ⁴ Typical color consistency. May vary or be changed.
- ⁵ L70 hours calculated based on LED package manufacturer LM80 report and ISTMT report of LED in luminaire. Stated values are for select catalog numbers. Contact manufacturer for detailed information
- ⁶ Actual performance may differ as a result of end-user environment and application. All values are design or typical values, measured under laboratory conditions at 25 °C.



Specifications and Dimensions subject to change without notice.

Product Dimensions

LDL4-6



LDL4-4

