



Project	
Notes	
Type	Date
Cat. No.	



LCS™ Series

CCT Adjustable LED Channel Strip

DESCRIPTION
 The LCS family of Lensed LED strip lights combine high-performance LEDs and highly-engineered optics to traditional designs to bring you the most advanced line of LED Strip Lights on the market. Multiple lumen packages mean there is an LCS that is just right for your lighting needs. The LCS provides superior energy efficiency and a longer maintenance-free operating life over the traditional T5 and T8 fluorescent fixtures they are designed to replace. Excellent for general utility applications: Parking garage, warehouse, offices, restrooms, storage units, and stairwell.

LCS Series

- 24" Housing**
17W (1,760 Lumens)
- 48" Housing**
40W (3,520 Lumens)
52W (5,000 Lumens)
- 96" Housing**
68W (7,200 Lumens)
104W (11000 Lumens)



Specification Features

Construction
 Housing, wireway cover and ends are die-formed heavy gauge steel with high gloss, baked white enamel finish over rust inhibiting phosphate coat. Housing and wireway cover act as a heat sink, maximizing the life of the LEDs and power supplies. Knockouts provided on back, ends, and sides. Diffuser Lens reduces glare and improves occupant comfort while maintaining high efficiency emission.

Electrical
 Equipped standard with fixed output driver. Optional 0-10V continuous dimming driver that works with any standard 0-10V control/dimmer. Long-Life LED's 60,000 hours at L80 with projected life over 100,000 hours for reduced life cycle maintenance costs. Standard CCT switch to adjust from 3000K, 4000K, and 5000K.

- Rated Life 60,000 hours
- Limited Warranty 5-years
- Efficacy Up to 105 LPW
- Continuous Dimming

Qualifications
 All luminaires are built to UL 1598 and 2108 standards, and bear appropriate ETL labels. Damp location labeling is standard. Emergency equipped fixtures labeled UL924. Adheres to LM70, LM80, and TM21 industry standards. DesignLights Consortium® (DLC) qualified product. Not all product variations listed are DLC qualified. Please visit the DLC Qualified Products List at www.designlights.org/QPL to confirm which models are qualified.

Installation
 Suitable for surface mounting, suspension, or stem mounting, individually or in continuous rows.



Warranty
 5-year Limited Warranty. See warranty documentation for more information.

Quick Ship/ DLC Listed

- LCS-2-17-MVD-830/40/50
- LCS-4-40-MVD-830/40/50
- LCS-4-52-MVD-830/40/50
- LCS-8-68-MVD-830/40/50
- LCS-8-104-MVD-830/40/50

Options
 Optional On/Off or Bi-Level Motion Sensor, high voltage transformers, emergency battery backups, whips and cords.

Ordering Information

Example Model Number: LCS-4-52-MVD-830/40/50

LCS	4	52	MVD	8	30/40/50
Series LCS CCT Adjustable LED Channel Strip	Length 2- 24" Length ² 4- 48" Length ² 8- 96" Length ²	Rated Wattage 24" Housing 17-17W (1,760 Lumens) ² 48" Housing 40- 40W (3,520 Lumens) ² 52- 52W (5,000 Lumens) ² 96" Housing 68- 68W (7,200 Lumens) ² 104- 104W (11000 Lumens) ²	Driver Type MVD-120-277V; 0-10V Dimming ² HVD-347-480V,0-10V Dimming ¹	CRI 8 80+ CRI ²	Color Temp 30/40/50- 3000/4000/5000 Kelvin
Options					
Emergency Backup EML8 800lm EML16 1600lm		Control MOS- Integral Microwave Sensor, On/Off OS- Fixture Mounted Occupancy Sensor, On/Off MOSB- Integral Bi-Level Microwave Sensor MOSB-FM- Fixture Mounted Bi-Level Microwave Sensor OSBL- Fixture Mounted Occupancy Sensor, Bi-Level		Accessories FW3- 6' 3 Wire Fixture whip FW4- 6' 4 Wire Fixture Whip	

Specifications and Dimensions subject to change without notice

Performance Summary

Input Voltage	120V-277V
Input Frequency	50/60 Hz
Rated Wattage	See Performance Table
Delivered Lumens	See Performance Table
Efficacy	> 105 LPW (typ.)
CRI	83+, R9 > 0
Available CCT ¹	3500K/4000K/5000K
Color Consistency ²	5-step MacAdam Ellipse
Rated Life	60,000 hours
L70 ³	> 72,000 hours or > 45,000
Power Factor	> 0.9
THD	< 20%
Dimming	0-10V Continuous (10-100%)
Operating Temp.	-18°C to 40°C

Performance Data

Lens Type	Form Factor	Catalog No.	Rated Wattage (W)	Delivered Lumens	Efficacy (lm/W)
Frosted Acrylic Lens	2'	LCS-2-17-MVD-830/40/50	17W	1,760	105.8
	4'	LCS-4-40-MVD-830/40/50	40W	4,200	105
		LCS-4-52-MVD-830/40/50	52W	5,400	103.9
	8'	LCS-8-68-MVD-830/40/50	68W	7,200	105.9
LCS-8-104-MVD-830/40/50		104W	11,000	105	

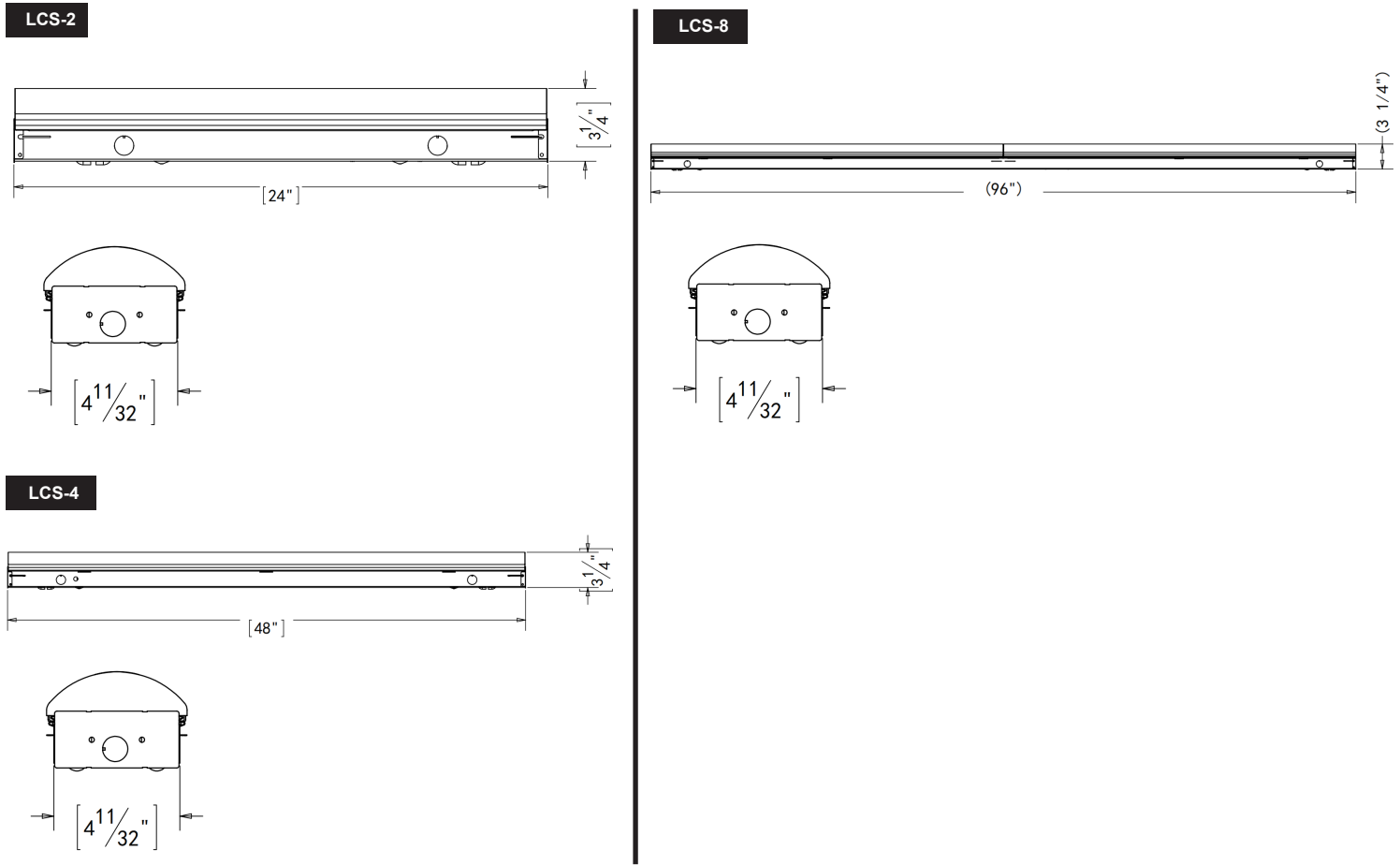
NOTES:

- ¹ Made to order items. Minimum 90 day lead time. Minimum 500 order quantity.
- ² DLC Listed
- ³ DLC Premium Listed
- ⁴ Quick ship:3500K,4000K 5000K. Other CCTs may require a lead time or be special order
- ⁵ Typical color consistency. May vary or be changed.
- ⁶ L70 hours calculated based on LED package manufacturer LM80 report and ISTMT report of LED in luminaire. Stated values are for select catalog numbers. Contact manufacturer for detailed information



Specifications and Dimensions subject to change without notice

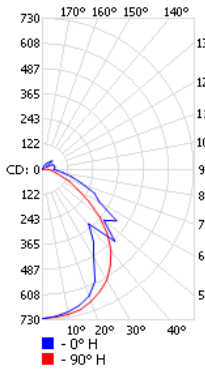
Product Dimensions



Photometric Data

LCS-2-17-MV-850 Tested in accordance to IESNA LM-79

Polar Candela Curve



Zonal Lumen Summary

Zone	Lumens	% Lamp	% Luminaire
0-30	555.8	27.70%	27.80%
0-40	878.1	43.80%	43.90%
0-60	1,440.50	71.90%	72%
60-90	408.4	20.40%	20.40%
0-90	1,848.80	92.30%	92.40%

Coefficients of Utilization

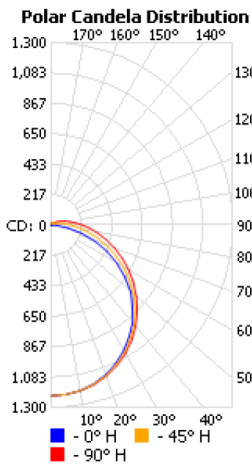
RCC %:	80				70				50	
	70	50	30	0	70	50	30	0	50	30
RCR: 0	1.17	1.17	1.17	1.17	1.13	1.13	1.13	0.92	1.07	1.07
1	1.07	1.02	0.97	0.93	1.03	0.99	0.95	0.77	0.93	0.9
2	0.97	0.89	0.82	0.76	0.94	0.86	0.8	0.65	0.81	0.76
3	0.89	0.78	0.7	0.64	0.85	0.76	0.69	0.56	0.72	0.66
4	0.81	0.69	0.61	0.54	0.78	0.68	0.6	0.48	0.64	0.57
5	0.75	0.62	0.53	0.47	0.72	0.61	0.53	0.42	0.58	0.51
6	0.69	0.56	0.48	0.41	0.67	0.55	0.47	0.37	0.52	0.45
7	0.64	0.51	0.43	0.37	0.62	0.5	0.42	0.34	0.48	0.41
8	0.6	0.47	0.38	0.33	0.58	0.46	0.38	0.3	0.44	0.37
9	0.56	0.43	0.35	0.3	0.54	0.42	0.35	0.27	0.4	0.34
10	0.53	0.4	0.32	0.27	0.51	0.39	0.32	0.25	0.38	0.31

Specifications and Dimensions subject to change without notice

Photometric Data

LCS-4-40-MVD-840 Tested in accordance to IESNA LM-79

Polar Candela Curve



Zonal Lumen Summary

Zone	Lumens	% Lamp	% Luminaire
0-30	955.8	23.1%	23.1%
0-40	1,575.5	38.1%	38.1%
0-60	2,840.8	68.6%	68.7%
60-90	1,047.8	25.3%	25.3%
70-100	655.9	15.9%	15.9%
90-120	194.4	4.7%	4.7%
0-90	3,888.7	94%	94%
90-180	246.1	5.9%	6%
0-180	4,134.7	99.9%	100%

Coefficients of Utilization

RCC %:	80				70				50				30				10				0	
	70	50	30	0	70	50	30	0	50	30	20	0	50	30	20	0	50	30	20	0	0	
RW %:	1.18	1.18	1.18	1.18	1.14	1.14	1.14	.94	1.08	1.08	1.08	1.02	1.02	1.02	1.02	.96	.96	.96	.96	.94	.94	
RCR:	0	1	2	3	4	5	6	7	8	9	10	0	1	2	3	4	5	6	7	8	9	10

Accessory Options



Cords and Whips

CS6-182-115P-WH	6' Cord 18/2 Nema 115P 120V White Finish
CS6-183-515P-BL	6' Cord 18/3 Nema 515P 120V Black Finish
CS6-183-183-BL	6' Cord 18/3 TO 18/3 SJT ENDS Black Finish
CS6-183-L515P-BL	6' Cord 18/3 Nema L515P(Twist Locking) 120V Black Finish
CS6-183-L615P-BL	6' Cord 18/3 Nema L715P(Twist Locking) 240V Black Finish
CS6-183-L715P-BL	6' Cord 18/3 Nema L715P(Twist Locking) 277V Black Finish
CS12-183-183-BL	12' Cord 18/3 TO 18/3 SJT ENDS Black Finish
CS12-183-L515P-BL	12' Cord 18/3 Nema L515P(Twist Locking) 120V Black Finish
CS12-183-L615P-BL	12' Cord 18/3 Nema L715P(Twist Locking) 240V Black Finish
CS12-183-L715P-BL	12' Cord 18/3 Nema L715P(Twist Locking) 277V Black Finish
FW3	6' 18/3 wire
FW4	6' 18/4 wire



© 2019 Globalux Lighting, LLC. All rights reserved. For informational purposes only. Reproduction in whole or part is prohibited without prior written consent of the copyright owner. The information presented in this document does not form part of any quotation or contract, is believed to be accurate and reliable and may be changed without notice. No liability will be accepted by the publisher for any consequences of its use. Globalux Lighting reserves the rights make changes in specification at any time without notice.

Globalux Lighting LLC
 www.globaluxlighting.com
 2037 S. Vineyard Ave
 Ontario, CA 91761
 Ph: 909-591-7506