



Project	
Notes	
Type	Date
Cat. No.	

**IHB™ Series**

**Infinity Linear LED High Bay**



**IHB Series**

<b>24"x11"</b>	100W, (13,000 Lumens)
	160W, (20,800 Lumens)
<b>48"x12"</b>	160W, (20,800 Lumens)
	220W, (28,600 Lumens)
	300W, (39,000 Lumens)

**Rated Life** 60,000 hours  
**Limited Warranty** 5-years  
**Efficacy** Up to 135 LPW  
**Continuous Dimming**



**Quick Ship/ DLC Listed**

- IHB-212-100-MVD-850    IHB-412-300-MVD-850
- IHB-212-160-MVD-850    IHB-412-300-MVD-840
- IHB-212-160-MVD-840
- IHB-412-160-MVD-850
- IHB-412-160-MVD-840
- IHB-412-220-MVD-840
- IHB-412-220-MVD-850

**DESCRIPTION**

The Globalux IHB™ Series Slim Linear High Bay delivers industry-leading performance with an extremely attractive ROI. Superior performance, ultra high-efficacy and premium quality provides an economic solution for high ceiling applications, especially warehouse spaces. Delivering high output, quality light and low energy consumption can improve warehouse safety and productivity, lower maintenance cost and reduce operating costs. The IHB series provides high output illumination for various commercial industrial applications with high ceilings: warehouse, manufacturing, gymnasiums, retail.

**Specification Features**



**Construction**

Rugged construction, solid die formed, cold-rolled steel housing. All surfaces are powder coated after fabrication. Frosted acrylic diffuser provides consistent even light while reducing glare. Lens design and materials provide uniform appearance without pixelation.

**Qualifications**

All luminaires are built to UL 1598 and 2108 standards, and bear appropriate ETL labels. Damp location labeling is standard. Emergency equipped fixtures labeled UL924. Adheres to LM70, LM80, TM21 industry standards. DesignLights Consortium® (DLC) qualified product. Not all product variations are DLC qualified. Please visit the DLC Qualified Products List at [www.designlights.org/QPL](http://www.designlights.org/QPL) to confirm which models are qualified.

**Warranty**

5-year Limited Warranty. See warranty documentation for more information.

**Electrical**

Equipped standard with a 0-10V continuous dimming driver that works with any standard 0-10V control/dimmer. Long-Life LED's 60,000 hours at L80 with projected life over 100,000 hours for reduced life cycle maintenance costs. Two LED color (Kelvin) temperature options and >80 CRI.

**Installation**

Accepts various mounting methods. Unit ships standard with V-hooks for suspension by chain (included) or aircraft cable (sold separately). Additional mounting options include Pendant Mount or Surface Mount (kits sold separately).

**Options**

Optional On/Off or Bi-Level Motion Sensor, high voltage transformers, emergency battery backups, whips, plugs and cords.

**Ordering Information**

Example: IHB-412-220-MVD-850

IHB	412	220	MVD	8	50
<b>Series</b> IHB Bi-Level Infinity Linear LED High Bay	<b>Form Factor</b> 212- 24"x12" <sup>2</sup> 412- 48"x12" <sup>2</sup>	<b>Rated Wattage</b> <b>24"x12"</b> 100- 100W, (13,000 Lumens) <sup>2</sup> 160- 160W, (20,800 Lumens) <sup>2</sup> <b>48"x12"</b> 160-160W, (20,800 Lumens) <sup>2</sup> 220-220W, (28,600 Lumens) <sup>2</sup> 300-300W, (39,000 Lumens) <sup>1</sup>	<b>Driver Type</b> MVD 120-277V, 0-10V Dimming <sup>2</sup> HVD 347-480V, 0-10V Dimming <sup>1</sup>	<b>CRI</b> 8 80+ CRI <sup>2</sup>	<b>Color Temp</b> 40 4000K <sup>2</sup> 50 5000K <sup>2</sup>
	<b>Emergency Backup</b> EML800 800lm EML1600 1600lm	<b>Controls</b> OS- Fixture Mounted Occupancy, On/Off MOSB-FM- Microwave Bi-Level Sensor Fixture mount OSBL- Fixture Mounted Occupancy Sensor, Bi-Level	<b>Accessories</b> WG- Wire Guard PMK-IHB- Single-point Pendant-mount Kit SMK-IHB- Surface Mounted Kit FW3- 6'3 Wire Fixture Whip FW4- 6'4 Wire Fixture Whip FW312- 12'3 Wire Fixture Whip		

Specifications and Dimensions subject to change without notice

## Performance Summary

Input Voltage	120V-277V
Input Frequency	50/60 Hz
Rated Wattage	See Performance Table
Delivered Lumens	See Performance Table
Efficacy	> 135 LPW (typ.)
CRI	83+, R9 > 0
Available CCT <sup>1</sup>	5000K
Color Consistency <sup>2</sup>	5-step MacAdam Ellipse
Rated Life	75,000 hours
L70 <sup>3</sup>	> 72,000 hours or > 45,000
Power Factor	> 0.9
THD	< 20%
Dimming	0-10V Continuous (10-100%)
Operating Temp.	-18°C to 40°C

## Performance Data

Lens Type	Form Factor	Catalog No.	Rated Wattage (W)	Delivered Lumens	Efficacy (lm/W)
Frosted Lens	24"x12"	<a href="#">IHB-212-100-MVD-850</a>	100W	13,000	130
		<a href="#">IHB-212-160-MVD-850</a>	160W	20,800	130
	48"x12"	<a href="#">IHB-412-160-MVD-850</a>	160W	20,800	130
		<a href="#">IHB-412-220-MVD-850</a>	220W	28,600	130
		<a href="#">IHB-412-300-MVD-850</a>	300W	39,000	130

## NOTES:

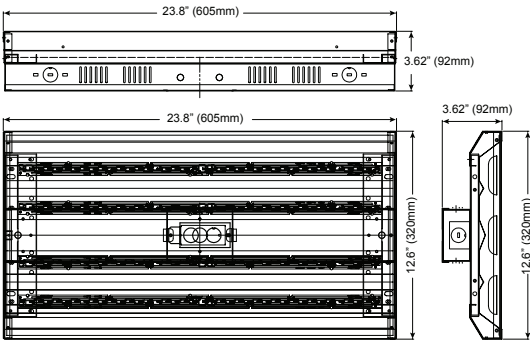
- <sup>1</sup> Made to order items. Minimum 90 day lead time. Minimum 500 order quantity.
- <sup>2</sup> DLC Listed
- <sup>3</sup> DLC Premium Listed
- <sup>4</sup> Quick ship: 5000K. Other CCTs may require a lead time or be special order
- <sup>5</sup> Typical color consistency. May vary or be changed.
- <sup>6</sup> L70 hours calculated based on LED package manufacturer LM80 report and ISTMT report of LED in luminaire. Stated values are for select catalog numbers. Contact manufacturer for detailed information
- <sup>6</sup> Actual performance may differ as a result of end-user environment and application. All values are design or typical values, measured under laboratory conditions at 25 °C.



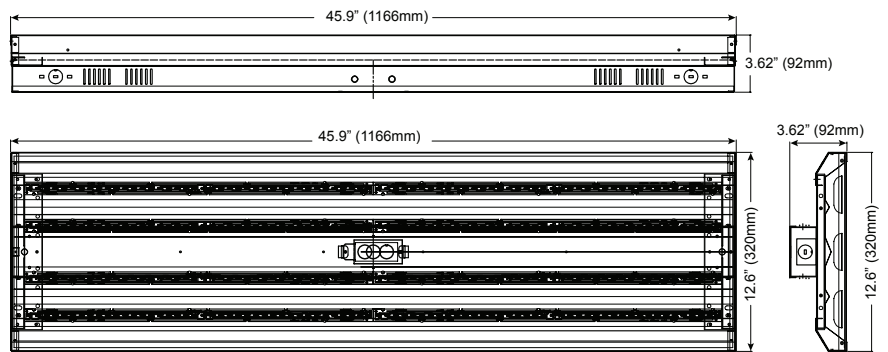
Specifications and Dimensions subject to change without notice

Product Dimensions

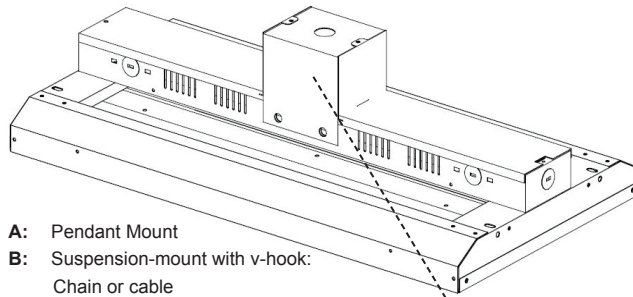
IHB-212



IHB-412



Mounting Information



- A: Pendant Mount
- B: Suspension-mount with v-hook:  
Chain or cable

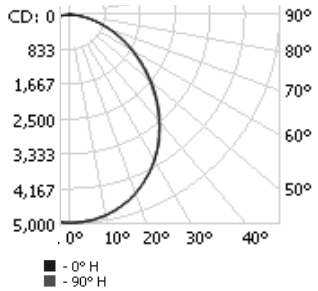
PMK Pendant-mount Kit  
(sold separately)



Photometric Data

IHB-100-MVD-8-40-F Tested in accordance to IESNA LM-79

Polar Candela Curve



Zonal Lumen Summary

ZONE	LUMENS	% LUMINAIRE
0-30	3,782.1	30.40%
0-40	6,076.9	49%
0-60	10,199.7	81.90%
60-90	2,229.6	17.90%
70-100	906.4	7.30%
90-120	10.2	0%
0-90	12,429.3	100%
90-180	24.8	0%
0-180	12,454.1	100%

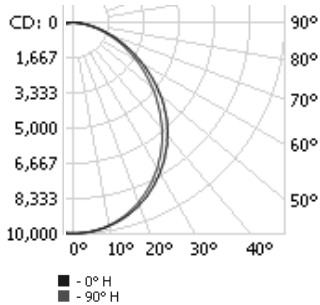
Coefficients of Utilization

EFFECTIVE FLOOR CAVITY REFLECTANCE: 20%

RCC%	80				70				50	
	70	50	30	0	70	50	30	0	50	30
0	1.19	1.19	1.19	1.19	1.16	1.16	1.16	1	1.11	1.11
1	1.09	1.05	1.01	0.97	1.07	1.02	0.99	0.86	0.98	0.95
2	1	0.92	0.85	0.8	0.97	0.9	0.84	0.73	0.86	0.81
3	0.91	0.81	0.73	0.67	0.89	0.8	0.72	0.62	0.77	0.7
4	0.84	0.72	0.64	0.57	0.82	0.71	0.63	0.54	0.68	0.62
5	0.77	0.65	0.56	0.5	0.75	0.64	0.55	0.47	0.62	0.54
6	0.72	0.59	0.5	0.44	0.7	0.58	0.49	0.42	0.56	0.48
7	0.66	0.53	0.45	0.39	0.65	0.52	0.44	0.38	0.51	0.44
8	0.62	0.49	0.4	0.35	0.6	0.48	0.4	0.34	0.47	0.39
9	0.58	0.45	0.37	0.31	0.57	0.44	0.36	0.31	0.43	0.36
10	0.54	0.41	0.34	0.28	0.53	0.41	0.33	0.28	0.4	0.33

IHB-417-220-MVD-850 Tested in accordance to IESNA LM-79

Polar Candela Curve



Zonal Lumen Summary

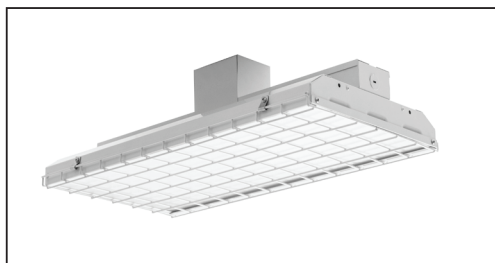
ZONE	LUMENS	% LUMINAIRE
0-30	7,581	30.10%
0-40	12,204	49%
0-60	20,548	81.70%
60-90	4,586	18.20%
70-100	1,907	7.60%
90-120	19	0%
0-90	25,134	100%
90-180	29	0%
0-180	25,162	100%

Coefficients of Utilization

EFFECTIVE FLOOR CAVITY REFLECTANCE: 20%

RCC%	80				70				50	
	70	50	30	0	70	50	30	0	50	30
0	1.19	1.19	1.19	1.19	1.16	1.16	1.16	1	1.11	1.11
1	1.09	1.05	1.01	0.97	1.06	1.02	0.99	0.85	0.98	0.95
2	1	0.92	0.85	0.8	0.97	0.9	0.84	0.73	0.86	0.81
3	0.91	0.81	0.73	0.67	0.89	0.79	0.72	0.62	0.76	0.7
4	0.84	0.72	0.64	0.57	0.81	0.71	0.63	0.54	0.68	0.61
5	0.77	0.65	0.56	0.49	0.75	0.64	0.55	0.47	0.61	0.54
6	0.71	0.58	0.5	0.43	0.7	0.57	0.49	0.42	0.56	0.48
7	0.66	0.53	0.44	0.38	0.65	0.52	0.44	0.37	0.51	0.43
8	0.62	0.49	0.4	0.34	0.6	0.48	0.4	0.34	0.47	0.39
9	0.58	0.45	0.37	0.31	0.56	0.44	0.36	0.3	0.43	0.36
10	0.54	0.41	0.33	0.28	0.53	0.41	0.33	0.28	0.4	0.33

Accessory Options



CS6-182-115P-WH 6' Cord 18/2 Nema 115P 120V White Finish
CS6-183-515P-BL 6' Cord 18/3 Nema 515P 120V White Finish
CS6-183-183-BL 6' Cord 18/3 to 18/3 SJT ENDS Black Finish
CS6-183-L515P-BL 6' Cord 18/3 Nema 515P 120V Black Finish
CS6-183-L615P-BL 6' Cord 18/3 Nema L715P(Twist Locking) 240V Black Fir
CS6-183-L715P-BL 6' Cord 18/3 Nema L715P(Twist Locking) 277V Black Fir
CS12-183-183-BL 6' Cord 18/3 Nema L715P(Twist Locking) 277V Black Fir
CS12-183-L515P-B 12' Cord 18/3 Nema 515P 120V Black Finish
CS12-183-L615P-B 12' Cord 18/3 Nema L715P(Twist Locking) 240V Black F
CS12-183-L715P-B 12' Cord 18/3 Nema L715P(Twist Locking) 277V Black F



© 2019 GlobaLux Lighting, LLC. All rights reserved. For informational purposes only. Reproduction in whole or part is prohibited without prior written consent of the copyright owner. The information presented in this document does not form part of any quotation or contract, is believed to be accurate and reliable and may be changed without notice. No liability will be accepted by the publisher for any consequences of its use. GlobaLux Lighting reserves the rights make changes in specification at any time without notice.

GlobaLux Lighting LLC  
 www.globaluxlighting.com  
 2037 S. Vineyard Ave  
 Ontario, CA 91761  
 Ph: 909-591-7506