



Project	
Notes	
Type	Date
Cat. No.	

DOE-HO™ Series **Dual Optics Emergency Light High Output**



APPLICATIONS

The DOE-HO series is a high lumen output LED emergency lighting unit, provides industry leading 125' path of egress spacing, at a maximum of 9' mounting height, eliminating the need for multiple emergency lighting units. Suited for larger areas and egress paths such as large department store, retailers and schools.

Specification Features



Construction

Injection molded, engineering grade 5VA flame retardant, high impact resistant thermoplastic in white or black finish.

Qualifications

Meets UL924, NFPA 11 life safety Code, NEC, OSHA Local and State Codes. UL listed for damp locations (0° C - 40° C).

Warranty

5-year Limited Warranty on all electronics and housing. Battery pro rated for 5 years.

Electrical

Dual 120/277 voltage. Charge rate/power "ON" LED indicator light and push-to-test switch for mandated code compliance testing. 3.6 long-life, maintenance free, rechargeable NiCad Battery. Internal solid-state transfer switch automatically connects the internal battery to the LED lamp head for minimum 90-minute emergency illumination. Fully automatic solid-state, two-rate charger initiates battery charging to recharging a discharged battery in 24 hours.

Installation

Universal J-Box mounting application.

DOE-HO Series
DOE-HO-W

Limited Warranty 5-years

Quick Ship
Made to order only

Ordering Information

Example: DOE-HO-W

DOE-HO	W					
Series DOE-HO Dual Head Optics Emergency Light High Output	Housing W - White					

Specifications and Dimensions subject to change without notice.

Performance Summary

Input Voltage	120V/277V
Input Frequency	50/60 Hz
Rated Wattage	6.0
Rated Life	60,000 hours
L70 ⁵	> 72,000 hours or > 45,000
Power Factor	> 0.9
THD	< 20%
Operating Temp.	0°C to 40°C

Performance Data

Lens Type	Form Factor	Catalog No.	Rated Wattage (W)	Delivered Lumens	Efficacy (lm/W)
None		DOE-HO-W	6	650	108

NOTES:

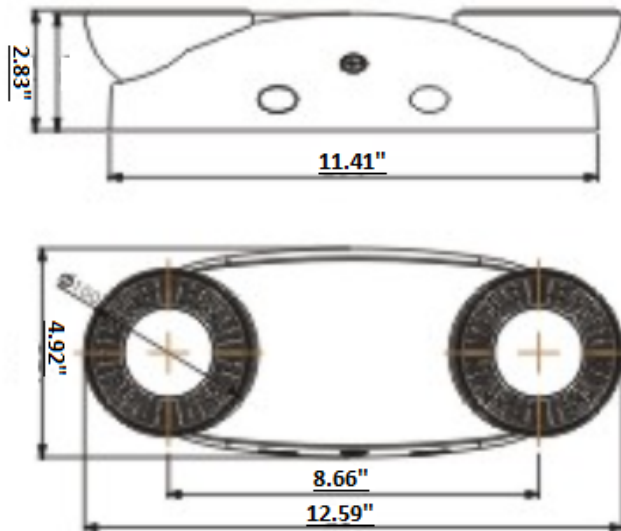
- ¹ Made to order items. Minimum 90 day lead time. Minimum 500 order quantity.
- ² Energy star listed
- ⁴ Typical color consistency. May vary or be changed.
- ⁵ L70 hours calculated based on LED package manufacturer LM80 report and ISTMT report of LED in luminaire. Stated values are for select catalog numbers. Contact manufacturer for detailed information
- ⁶ Actual performance may differ as a result of end-user environment and application. All values are design or typical values, measured under laboratory conditions at 25 °C.



Specifications and Dimensions subject to change without notice.

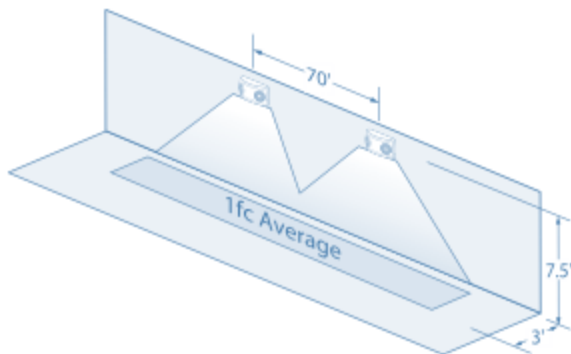
Product Dimensions

DOE-HO

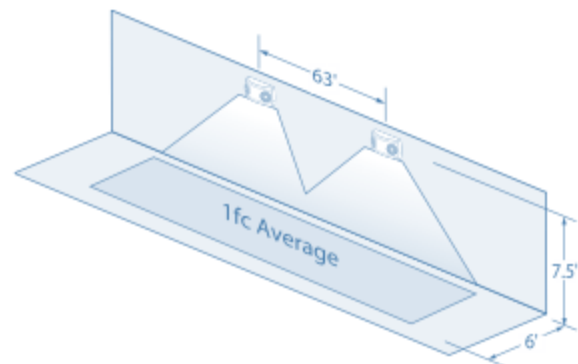


Product Sample Photometric

Using multiple DOE-HO units mounted at a typical 7.5' height delivers 70' on-center spacing with a 3' wide path of egress.



Using multiple DOE-HO units mounted at a typical 7.5' height delivers 63' on-center spacing with a 6' wide path of egress.



GlobalLux
LIGHTING