

Safety Precautions

PLEASE READ THESE INSTRUCTIONS CAREFULLY AND SAVE THEM, AS YOU MAY NEED THEM AT A LATER DATE.

- 1. WARNING:** Failure to install and wire fixture in accordance with the National Electrical Codes (NEC), all applicable Federal, State and Local electrical codes, as well as specific U.L safety standards for the intended working environment (location /application), may cause serious personal injury, death and /or property damage. This product must be installed by a person familiar with the construction and operation of the product and the hazards involved.
- 2. CAUTION:** TURN OFF POWER FROM THE MAIN CIRCUIT BEFORE INSTALLING FIXTURE. Make sure fixture is grounded per National Electrical Codes (NEC). This fixture is suitable for dry location only.
- 3. IMPORTANT NOTE:** The safeguards and instructions appearing in this page are not meant to cover all possible conditions and situations that may occur. It may be understood that common sense, cautions and care are factors which cannot be built into any product. The person(s) installing, operation and responsible for the light fixture, must execute these factors.
- 4. WARNING:** For 120V 60Hz use only. Risk of fire and electrical shock, most dwellings built before 1985 have supply wires rated 60 degrees C. Consult a qualified electrician before installing. If supply wires are located within 3 inches of the ballast, use wires rated at least 90 degrees C.

NEEDED TOOLS

1. Tools and material needed: screwdriver, pliers, wire nuts, electrical tape.
2. To help prevent the possibility of electrical shock, the use of rubber sole shoes is recommended.
3. Exercise care when handling the fixture to avoid cuts or abrasions.
4. If a ladder is needed, make sure to use a sturdy wooden one.

Assembly Instructions

INSTALLATION FOR FLUSH MOUNTING: (Please refer to FIG.1)

1. Screw the long mounting screws into electrical box about two complete turns. (Mounting screws included.)
2. Electrical connection: Make sure electricity to the circuit is turned off. Connect green/or bare copper wire to Ground screw (Ground must be properly installed or unit may not work). Connect white wire to white supply wire cover with nut/or twist together and cover really well with electrical tape. Connect black wire supply wire cover with a wire nut/or twist together and cover really well with electrical tape.
3. Align the canopy base over the long mounting screws so that the screw comes through the keyhole slots. Spin the canopy slightly until screws are at the small end of the keyhole slots. Tighten the mounting screws until the canopy fits snug to the ceiling.
4. Place diffuser on the canopy, then place metal ring on diffuser, let 3 screws from decorative tubes come out of the decorative ring. Twist 3 decorative nuts on top to tighten the ring and diffuser.

TWO-RING LED CEILING FIXTURE

Installation Instructions

5. Turn power on.

Flush Mount

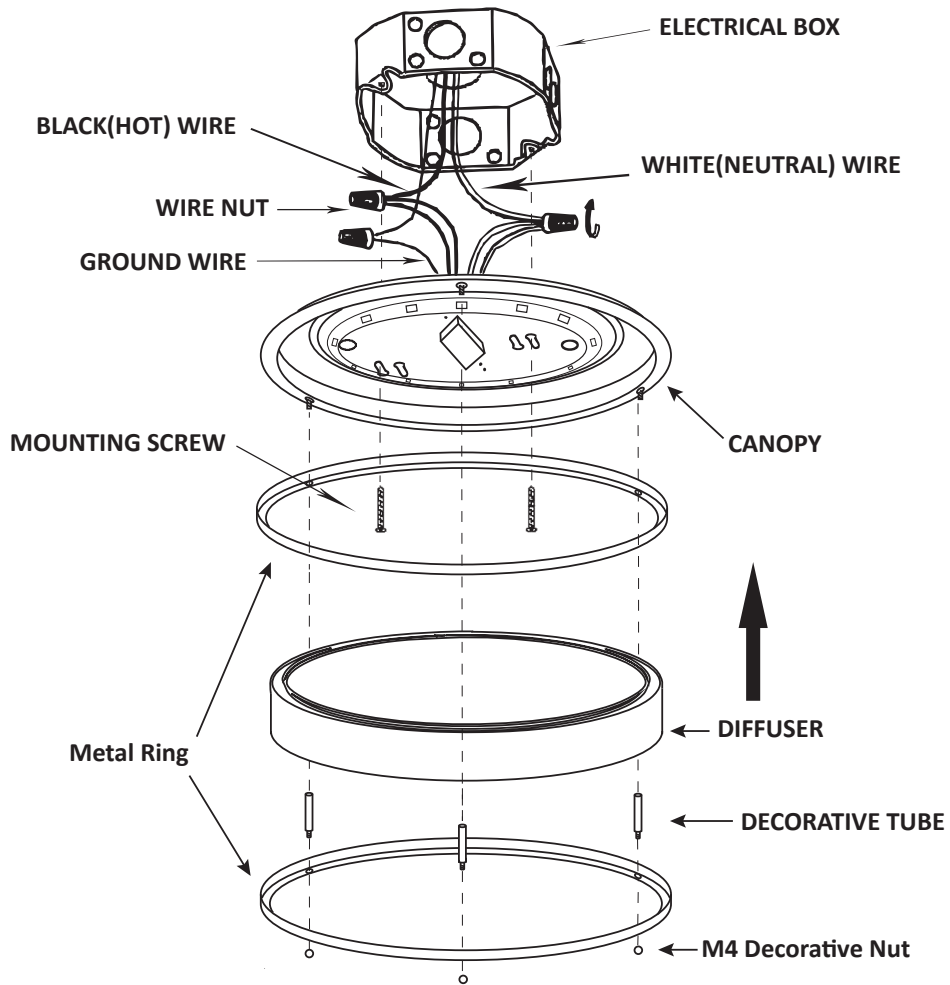


FIG.1