



Project	
Notes	
Type	Date
Cat. No.	

ACLW2™ Series

Slim LED Architectural Wall Pack

DESCRIPTION

The ACLW family of LED wall packs combine high-performance LEDs, highly-engineered optics to traditional designs to bring you the most advanced line of wall packs on the market. Multiple lumen packages mean there is an ACLW that is just right for your lighting needs. The ACLW wall packs were designed and engineered as maintenance free, energy-efficient alternatives to traditional fluorescent, high pressure sodium and H.I.D. light sources.



ACLW2 Series
 30W(2827 Lumens)
 60W(6562 Lumens)
 80W(8887 Lumens)

Specification Features

Construction

Rugged die cast aluminum housing withstands outdoor environments. Outer surface treated with durable bronze powder coating to provide resistance to corrosion, rust, weathering or degradation. Performance engineered internal heat dissipation fins provide superior thermal management for LED life and reliability.

Qualifications

All luminaires are built to UL 1598 and 2108 standards, and bear appropriate ETL labels. Wet location labeling is standard. Adheres to LM70, LM80, and TM21 industry standards. DesignLights Consortium® (DLC) DLC qualified product. Not all product variations listed are DLC qualified. Please visit the DLC Qualified Products list at www.designlights.org/QPL to confirm which models are qualified.

Electrical

Equipped standard with fixed output driver. Long-Life LED's 60,000 hours at L80 with projected life over 100,000 hours for reduced life cycle maintenance costs.

Installation

Luminaire mounting designed for standard 4" J-Box.

Warranty

5-year Limited Warranty. See warranty documentation for more information.



Rated Life 60,000 hours
Limited Warranty 5-years
Efficacy Up to 109 LPW

Quick Ship
 ACLW2-30-MV-850
 ACLW2-60-MV-850
 ACLW2-80-MV-850

Ordering Information

Example: ACLW2-30-MV-850

ACLW	30	MV	8	50		
Series ACLW2 Slim LED Wall Pack	Rated Wattage 30-30W(2827 Lumens) ² 60-60W(6562 Lumens) ² 80-80W(8887 Lumens) ²	Driver Type MV- 120-277V ²	CRI 8 80+ CRI ²	Color Temp 40 4000K ¹ 50 5000K ²		
Options						
Controls OSBL-WP- Fixture Mounted Bi-Level Occupancy Sensor						

Specifications and Dimensions subject to change without notice.

Performance Summary

Input Voltage	120V-277V
Input Frequency	50/60 Hz
Rated Wattage	See Performance Table
Delivered Lumens	See Performance Table
Efficacy	>109 LPW (typ.)
CRI	83+, R9 > 0
Available CCT ¹	5000K
Color Consistency ²	5-step MacAdam Ellipse
Rated Life	60,000 hours
L70 ³	> 72,000 hours or > 45,000
Power Factor	> 0.92
THD	< 18.1%
Dimming	N/A
Operating Temp.	-18°C to 40°C

Performance Data

Lens Type	Form Factor	Catalog No.	Rated Wattage (W)	Delivered Lumens	Efficacy (lm/W)
Clear	7.87"	ACLW2-30-MV-850	30.62	2827.27	92.33
	11.33"	ACLW2-60-MV-850	61.7	6562.19	106.36
		ACLW2-80-MV-850	81.6	8887.02	108.91

NOTES:

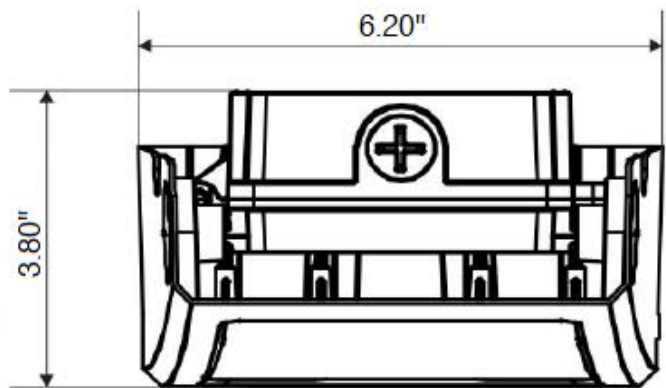
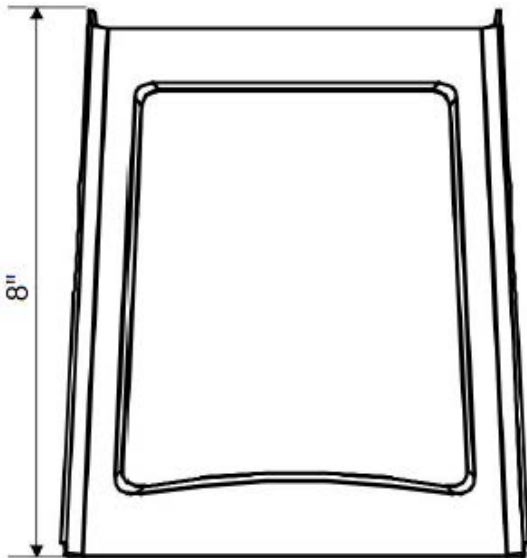
- ¹ Made to order items. Minimum 90 day lead time. Minimum 500 order quantity.
- ² DLC Listed
- ³ DLC Premium Listed
- ⁴ Quick ship: 5000K. Other CCTs may require a lead time or be special order
- ⁵ Typical color consistency may vary or may changed.
- ⁶ L70 hours calculated based on LED package manufacturer LM80 report and ISTMT report of LED in luminaire. Stated values are for select catalog numbers. Contact manufacturer for detailed information
- ⁷ Actual performance may differ as a result of end-user environment and application. All values are design or typical values, measured under laboratory conditions at 25 °C



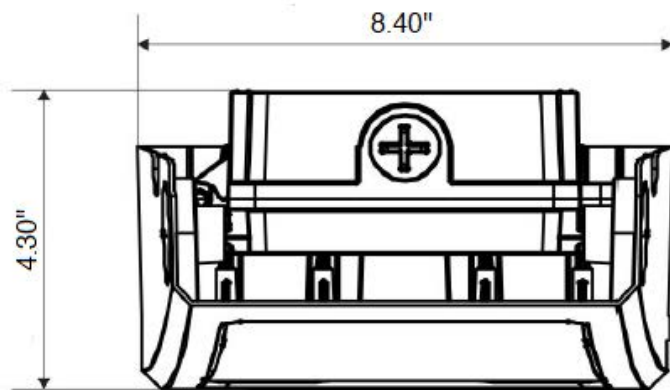
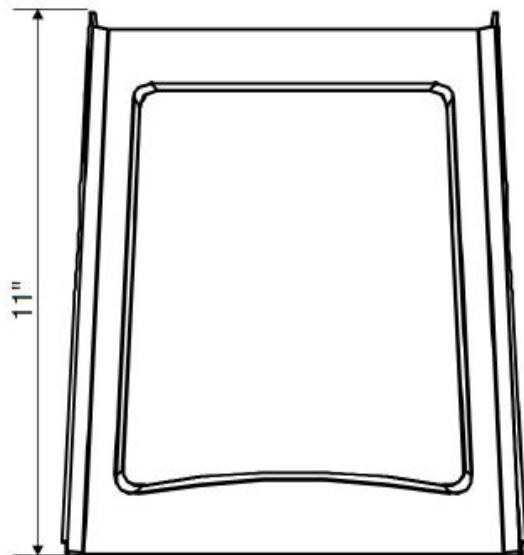
Specifications and Dimensions subject to change without notice.

Product Dimensions

ACLW2-30W



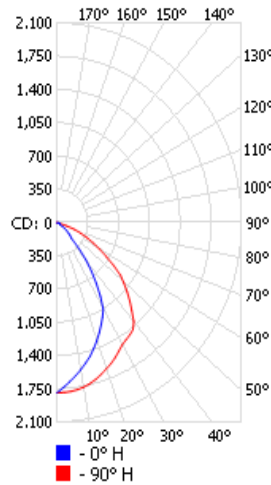
ACLW2-60/80W



Photometric Data

ACLW2-30-MV-850 Tested in accordance to IESNA LM-79

Polar Candela Curve



Zonal Lumen Summary

Zone	Lumens	% Lamp	% Luminaire
0-30	1,377.70	32.60%	32.80%
0-40	2,216.30	52.50%	52.80%
0-60	3,671.40	87%	87.50%
60-90	526.7	12.50%	12.50%
0-90	4,198.10	99.50%	100%

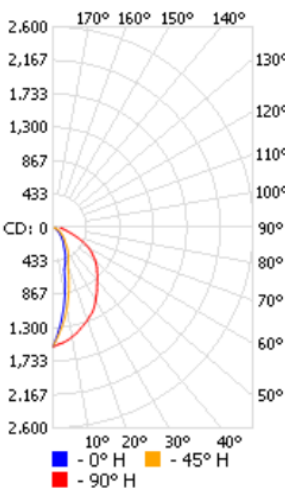
Coefficients of Utilization

RCC %:	80				70				50			
	70	50	30	0	70	50	30	0	50	30	0	
RW %:	1.19	1.19	1.19	1.19	1.16	1.16	1.16	1	1.11	1.11		
RCR: 0	1.1	1.06	1.02	0.99	1.07	1.04	1	0.88	1	0.97		
1	1.01	0.94	0.88	0.83	0.99	0.92	0.87	0.76	0.89	0.84		
2	0.93	0.83	0.76	0.7	0.91	0.82	0.75	0.66	0.79	0.73		
3	0.85	0.75	0.66	0.6	0.83	0.73	0.66	0.57	0.71	0.64		
4	0.79	0.67	0.59	0.53	0.77	0.66	0.58	0.5	0.64	0.57		
5	0.73	0.61	0.52	0.46	0.71	0.6	0.52	0.45	0.58	0.51		
6	0.68	0.55	0.47	0.41	0.66	0.54	0.47	0.4	0.53	0.46		
7	0.63	0.5	0.42	0.37	0.62	0.5	0.42	0.36	0.49	0.42		
8	0.59	0.46	0.39	0.33	0.58	0.46	0.38	0.33	0.45	0.38		
9	0.56	0.43	0.35	0.3	0.54	0.42	0.35	0.3	0.41	0.35		
10												

Effective Floor Cavity Reflectance: 20%

ACLW2-60-MV-850 Tested in accordance to IESNA LM-79

Polar Candela Curve



Zonal Lumen Summary

Zone	Lumens	% Lamp	% Luminaire
0-30	1,123.2	15.2%	18.4%
0-40	1,856.1	25.1%	30.5%
0-60	3,533.2	47.7%	58%
60-90	2,555.2	34.5%	42%
0-90	6,088.5	82.2%	100%

Coefficients of Utilization

RCC %:	80				70				50		
	70	50	30	0	70	50	30	0	50	30	20
RW %:	.98	.98	.98	.98	.96	.96	.96	.82	.91	.91	.91
RCR: 0	.85	.79	.73	.69	.82	.77	.72	.60	.73	.69	.65
1	.75	.66	.59	.52	.73	.65	.58	.47	.61	.55	.50
2	.68	.57	.48	.42	.65	.55	.48	.39	.53	.46	.41
3	.62	.50	.41	.34	.59	.48	.40	.32	.46	.39	.34
4	.56	.44	.35	.29	.54	.43	.35	.28	.41	.34	.28
5	.52	.39	.31	.25	.50	.39	.31	.24	.37	.30	.25
6	.48	.36	.27	.22	.46	.35	.27	.21	.33	.27	.22
7	.45	.32	.25	.19	.43	.32	.24	.19	.31	.24	.19
8	.42	.30	.22	.17	.40	.29	.22	.17	.28	.22	.17
9	.39	.27	.20	.16	.38	.27	.20	.15	.26	.20	.15
10											

Effective Floor Cavity Reflectance: 20%

