

# LED PAR38 LAMP

Model No. EP38-5050cecw-2

LED **EP38-5050cecw-2** delivers superior brightness, valuable energy savings, long lasting performance and true color perception. These PAR38 LED spot bulbs are ideal for task lighting due to its uniform "cool white light (5000K) and replace conventional 90 Watt incandescent light bulbs. Enjoy features such as: instant on, dimming options, shatter resistance, mercury free, 90+CRI and damp rated.



**100W**  
REPLACEMENT

**12W**  
12 Watts

**5000K**  
Cool White

**2 PACK**  
Twin Pack

**90+ CRI**  
True COLOR  
90+ CRI

**Dimmable**

**Damp Rated**

## Electrical Specifications

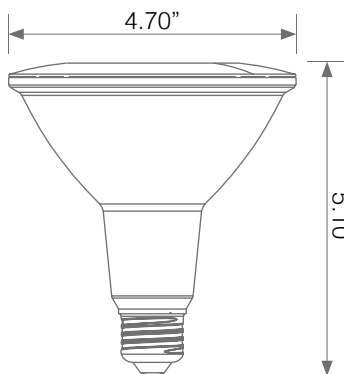
Model No.	Input Power	Input Voltage	Lumen Output	Beam Angle	Center Beam	CCT
EP38-5050cecw-2	12 W	120V	1050 lm	40°	N/A	5000 K

CRI	Luminous Efficacy	Power Factor	Input Current	Base	Lamp Lifespan	Estimated Yearly Cost
90+	87 lm/W	0.9	0.1 A	E26	25,000 Hrs.	\$ 1.44

## Mechanical Specifications

Rating	Operational Temperature	Inner Box QTY.	Master Box QTY.	Dimensions(in.)	UPC Code
Damp Rated	N/A	N/A	20 pcs	4.70"(Ø) x 5.10"(H)	811174031048

## Product Dimensions



## Product Photometric Data

