

65W

REPLACEMENT

9W

9 Watts



5CCT Selectable



Ultra Slim



Abutted and Covered



Dimmable



Damp Rated



No Housing Required

LED DOWNLIGHT

Model No. DLC4S-10W105se

The Euri Lighting **DLC4S-10W105se** ultra-slim, 5CCT selectable, recessed downlight is designed to give you the option between 2700K/3000K/3500K/4000K/5000K all conveniently in one downlight. Its spring-action clips allow for easy installation and reduce maintenance worries. This 4-inch downlight eliminates housing and makes for hassle-free installation. At 650 Lumens and 10 Watts (65-Watt equivalent) input power, the 4" downlight has an average of 35,000 hours of life and is ENERGY STAR certified. The **DLC4S-10W105se** is IC Rated, recessed and best suited for low residential ceilings working on AC 120V. It's edge-lit LED technology guarantees a long life of uniform light distribution.



Electrical Specifications

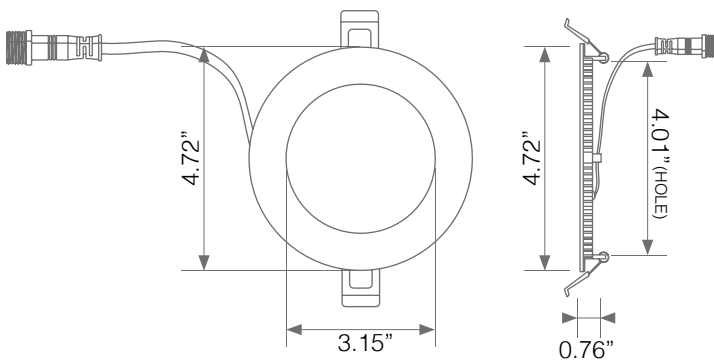
Model No.	Input Power	Input Voltage	Lumen Output	Beam Angle	Center Beam	CCT
DLC4S-10W105se	10 W	120 V	650 lm	120°	N/A	2700 /3000 /3500 4000 /5000K

CRI	Luminous Efficacy	Power Factor	Input Current	Base	Lamp Lifespan	Estimated Yearly Cost
80	65 lm/W	0.9	0.1 A	Junction Box	35,000 Hrs.	\$ 1.20

Mechanical Specifications

Rating	Operational Temperature	Inner Box QTY.	Master Box QTY.	Dimensions(in.)	UPC Code
Damp Rated	-4°F - 104°F	N/A	12 pcs	4.72"(ø) x 0.76"(H)	811174033189

Product Dimensions



Product Photometric Data

