

## TE132LED, 2-LIGHT LED MULTIPLE RECESS



### PRODUCT DETAILS

|                       |   |                  |
|-----------------------|---|------------------|
| No.                   | : | TE132LED-30-4-01 |
| Product Color         | : | BLACK            |
| Shade / Accent Colour | : | BLACK            |
| Length                | : | 13.4375"         |
| Width                 | : | 7.75"            |
| Height                | : | 7"               |
| Weight                | : | 5lbs             |


### LIGHT SOURCE DETAILS

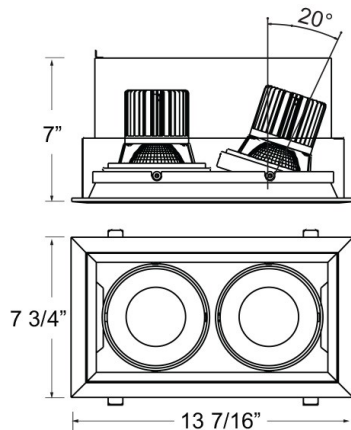
|                   |   |                |
|-------------------|---|----------------|
| Light Source Type | : | INTEGRATED LED |
| Input Voltage     | : | 120V           |
| Bulb Voltage      | : | 120V           |
| Socket Type       | : | LED            |
| Total Wattage     | : | 52W            |
| Initial Lumens    | : | 5000lm         |
| Kelvin            | : | 3000K          |
| CRI               | : | 90             |
| Dimmable          | : | Yes            |

### OPTIONS AVAILABLE

| ITEM NO.         | FINISH   | SHADE |
|------------------|----------|-------|
| TE132LED-30-4-01 | BLACK    | BLACK |
| TE132LED-30-4-02 | WHITE    | BLACK |
| TE132LED-30-4-0N | PLATINUM | BLACK |
| TE132LED-30-4-22 | WHITE    | WHITE |

### TECHNICAL DETAILS

|                 |   |   |
|-----------------|---|---|
| Driver          | : | Inventronics 35W Driver   |
| Location        | : | DRY   |
| Approval        | : |  |
| Title 24        | : | Yes   |
| Beam Angle      | : | 40  |
| Cut Hole Length | : | 12.5"   |
| Cut Hole Width  | : | 6.75"   |



### PROJECT INFORMATION

 Job Name:  Date:  Category: 

 Comments: