

24078, IC BOX FOR TE102

PRODUCT DETAILS

No.	:	24078-016
Length	:	20.25"
Width	:	12.75"
Height	:	11.5"

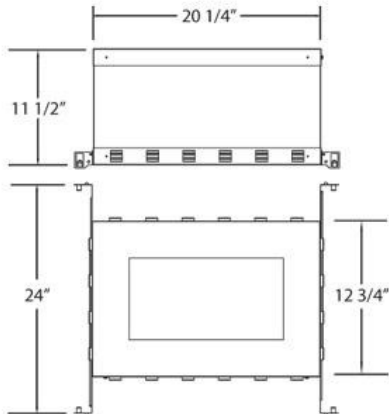
TECHNICAL DETAILS

Cut Hole Length	:	12.75"
Cut Hole Width	:	6.75"



OPTIONS AVAILABLE

ITEM NO.	FINISH	SHADE
24078-016		



PROJECT INFORMATION

Job Name: Date: Category:

Comments: