

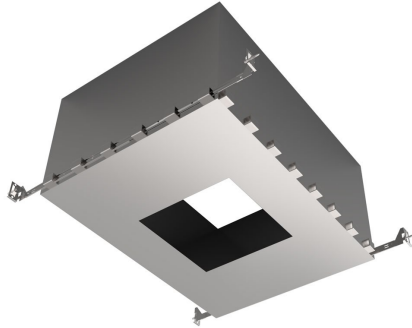
24075, IC BOX FOR TE114B & TE114BLED

PRODUCT DETAILS

No.	:	24075-015
Length	:	24"
Width	:	18"
Height	:	11.5"

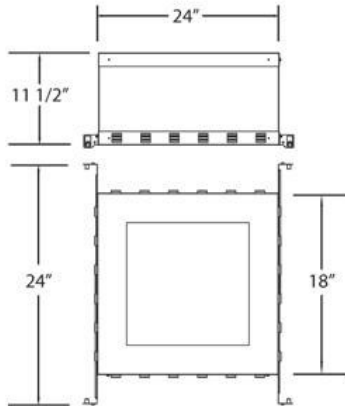
TECHNICAL DETAILS

Cut Hole Length	:	9.5"
Cut Hole Width	:	9.5"



OPTIONS AVAILABLE

ITEM NO.	FINISH	SHADE
24075-015		



PROJECT INFORMATION

Job Name: Date: Category:

Comments: