

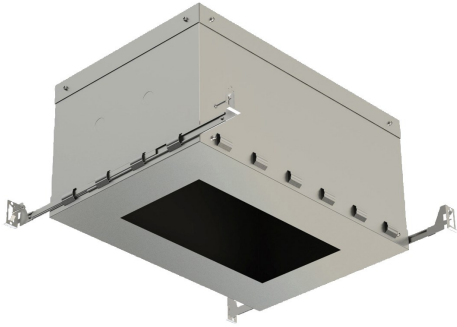
24072, IC BOX FOR TE112/TE112GU10/TE162/TE162LED

PRODUCT DETAILS

No.	:	24072-014
Length	:	17"
Width	:	12.75"
Height	:	11.5"

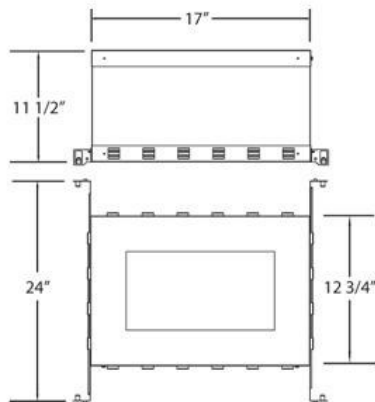
TECHNICAL DETAILS

Cut Hole Length	:	9.5"
Cut Hole Width	:	5.125"



OPTIONS AVAILABLE

ITEM NO.	FINISH	SHADE
24072-014		



PROJECT INFORMATION

Job Name: Date: Category:

Comments: