

## 24071, IC BOX TE111/TE111 LED/TE111GU10/TE111TR/TE161LED

### PRODUCT DETAILS

No.	:	24071-017
Length	:	11.25"
Width	:	12.75"
Height	:	11.5"

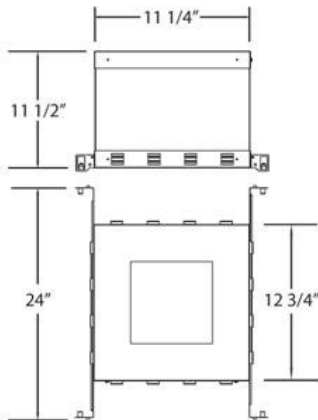
### TECHNICAL DETAILS

Cut Hole Length	:	5.125"
Cut Hole Width	:	5.125"



### OPTIONS AVAILABLE

ITEM NO.	FINISH	SHADE
24071-017		



### PROJECT INFORMATION

Job Name:  Date:  Category:

Comments: