

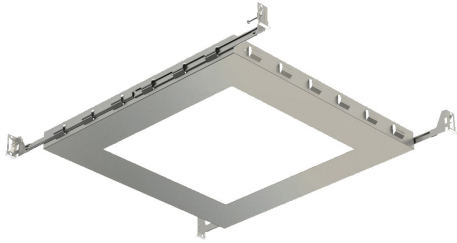
## 24061, NC PLATE: TE104B/TE134BLED

### PRODUCT DETAILS

No. : 24061-018  
 Length : 20"  
 Width : 18"  
 Height : 1.375"

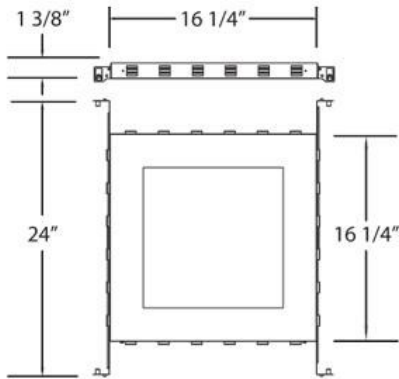
### TECHNICAL DETAILS

Cut Hole Length : 12.75"  
 Cut Hole Width : 12.75"



### OPTIONS AVAILABLE

ITEM NO.	FINISH	SHADE
24061-018		



### PROJECT INFORMATION

Job Name:       Date:       Category:

Comments: