

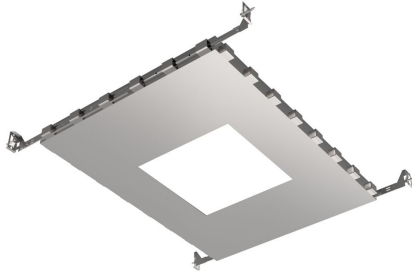
24055, NCP: TE114B/TE114BGU10/TE114BTR/TE164B/TE164BLED

PRODUCT DETAILS

No. : 24055-017
 Length : 24"
 Width : 18"
 Height : 1.375"

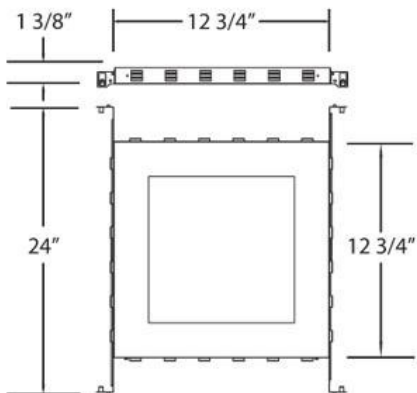
TECHNICAL DETAILS

Cut Hole Length : 9.5"
 Cut Hole Width : 9.5"



OPTIONS AVAILABLE

| ITEM NO. | FINISH | SHADE |
|-----------|--------|-------|
| 24055-017 | | |



PROJECT INFORMATION

Job Name: Date: Category:

Comments: