

DATE:	PROJECT:
TYPE:	NOTES:
CATALOG #:	

VT SERIES 4' VAPOR TIGHT 5400 WITH OC SENSOR & 0-10V DIMMING
 Lumens 5482 – 5843 | Efficacy up to 124

KEY FEATURES

ETi SSL's 4-FT Dimmable Vapor Tight with OC Sensor is designed with durable stainless-steel latches to prevent moisture and dirt from compromising the housing and damaging interior wires and components inside the fixture. Vapor Tights are weatherproof and rated IP65 as dust tight and protect against projected water.

CCT & Light Quality

- 4000K or 5000K CCT options
- 80+ CRI

Light Output & Efficacy

- 5482 to 5843 Delivered Lumens
- Efficacy Rating up to 124
- 91.46% lumen maintenance @ 54,000 hours and projected L70 @ 210,000 hours

Dimming, Voltage, Controls

- 0-10V dimming to 10%
- Universal voltage (120-277V)
- Factory installed OC sensor

SPECIFICATIONS

Construction

- Gray polycarbonate housing with stainless-steel latches
- Airtight seal prevents moisture and dirt from compromising the housing and damaging interior wires and components

Optics

- Non-yellowing high-impact resistant polycarbonate lens
- Frosted diffuser delivers even illumination and diminished glare

Installation

- Suspension and surface mounting kits included
- Link together up to 8 luminaires

Electrical

- 210,000 hour LEDs at L70 for reduced maintenance
- Operates at 120-277V, 50/60 Hz
- 0-10V dimmable driver, down to 10%
- Includes internal OC Sensor, factory installed

Warranty

5-Year Standard Warranty. See terms at: ETiSSL.com/warranty/



Cord Grip Included



Internal OC Sensor

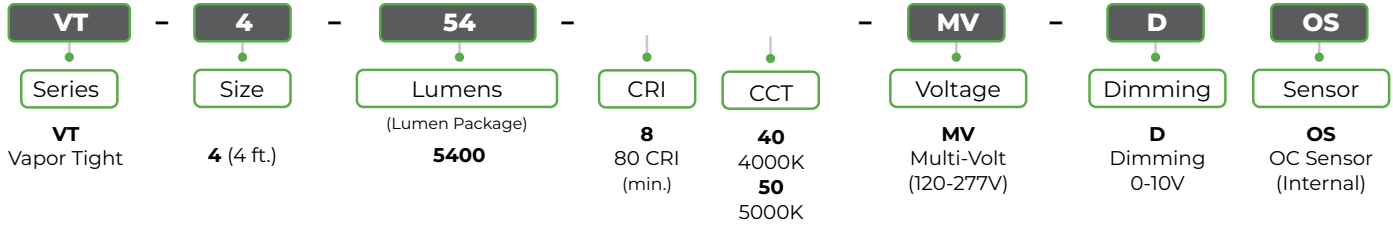
KEY DATA	
Lumens Range	5482 – 5843
Wattage Range	50.8 – 51
Efficacy Range (LPW)	108 – 115
Reported Life (Hours)	L70 / 210,000

Certifications & Test Data

- All luminaires are built to UL standards and have the appropriate UL labels and information on product
- Wet location—IP65 Rated
- Adheres to LM79, LM80, and TM21 industry standards for photometric, lumen maintenance and lifetime calculations
- DLC® (DesignLights Consortium) Listed. Please refer to DLC for specific product qualifications at www.designlights.org (See Page 2 for search info.)
- IC Rated
- Driver rated for FCC part 15 Class B for use in residential or commercial applications



CATALOG LOGIC

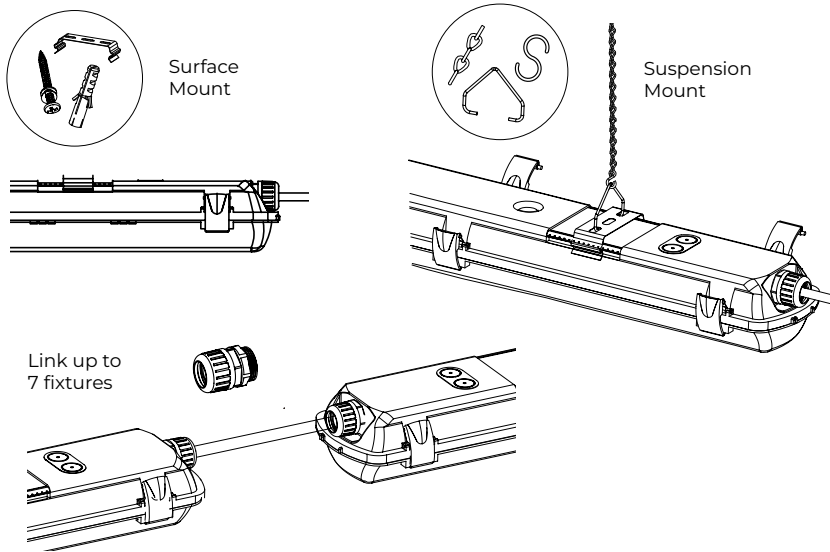


STANDARD STOCK ORDERING INFORMATION (typical 2-3 day shipment lead time)¹

Catalog Part Number	Order Number	Description	Lumen Package	Delivered Lumens ²	Nominal Wattage	Efficacy	CCT	CRI	Voltage	Dim	DLC
VT-4-54-840-MV-D-OS	54465141-I	4' Vapor Tight, 4000K with Motion Sensor	5400	5482	51	108	4000K	80+	120-277V	0-10V	Standard Search: 544651##-2-I
VT-4-54-850-MV-D-OS	54465161-I	4' Vapor Tight, 5000K with Motion Sensor	5400	5843	51	124	5000K	80+	120-277V	0-10V	Standard Search: 544651##-2-I

Notes: 1. Stock SKUs typically ship in 24-48 hours upon receipt of an approved released order
 2. For more delivered lumens and test data see on page 3, or visit ETISSL.com

MOUNTING




Included with the product

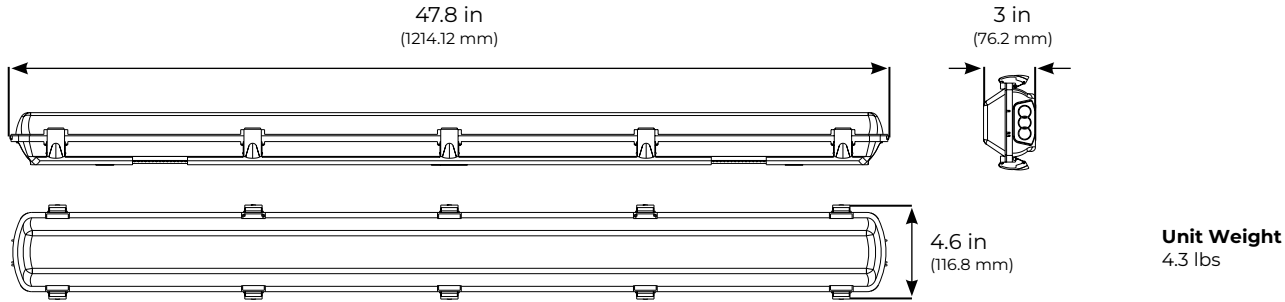


- Mounting Screws
- Dry Wall Anchors
- U Brackets
- V Clips
- Cord Grip
- 2 Suspension Chains
- S Hooks
- Wire Connectors

OC SENSOR INFORMATION

Description	Details
Internal Step Dimming Motion Sensor (90600144), Microwave with daylight sensor	 SPEC SHEET DOWNLOAD (located on ETISSL.com)

DIMENSIONS / DETAILS



PERFORMANCE / Data

Lumen Maintenance

Ambient Temp.	TM-21 Lumen Maintenance (54,000 hours)
25° C (77° F)	> 69.08%
Ambient Temp.	TM-21 Theoretical L70 (hours)
25° C (77° F)	52,000

Load Information

Power Factor	0.90
THD	< 20%
Frequency	50/60 Hz
Sound Rating	< 20 Dba
Low Temp Start / Max Temp	-30° C (-22° F) / 60° C (140° F)

PHOTOMETRIC SAMPLE

4000K	IES	Luminaire Data: 4000K	5000K	IES	Luminaire Data: 5000K																				
		<table border="1"> <tr> <td>CCT & CRI</td> <td>4000K, 80+ CRI</td> </tr> <tr> <td>Initial Delivered Lumens</td> <td>5482</td> </tr> <tr> <td>Wattage</td> <td>50.8W</td> </tr> <tr> <td>Efficacy</td> <td>107.9</td> </tr> <tr> <td>Beam Angle</td> <td>50% = 124.2° 10% = 171.5°</td> </tr> <tr> <td>Spacing</td> <td>0° = 1.36 90° = 1.28</td> </tr> </table> <p>Photometric values based on tests performed in compliance with LM-63 & LM-79</p>			CCT & CRI	4000K, 80+ CRI	Initial Delivered Lumens	5482	Wattage	50.8W	Efficacy	107.9	Beam Angle	50% = 124.2° 10% = 171.5°	Spacing	0° = 1.36 90° = 1.28	<table border="1"> <tr> <td>CCT & CRI</td> <td>5000K, 80+ CRI</td> </tr> <tr> <td>Initial Delivered Lumens</td> <td>5843</td> </tr> <tr> <td>Wattage</td> <td>47.0W</td> </tr> <tr> <td>Efficacy</td> <td>124</td> </tr> <tr> <td>Beam Angle</td> <td>50% = 125.7° 10% = 163.9°</td> </tr> <tr> <td>Spacing</td> <td>0° = 1.30 90° = 1.32</td> </tr> </table> <p>Photometric values based on tests performed in compliance with LM-63 & LM-79</p>	CCT & CRI	5000K, 80+ CRI	Initial Delivered Lumens	5843	Wattage	47.0W	Efficacy	124
CCT & CRI	4000K, 80+ CRI																								
Initial Delivered Lumens	5482																								
Wattage	50.8W																								
Efficacy	107.9																								
Beam Angle	50% = 124.2° 10% = 171.5°																								
Spacing	0° = 1.36 90° = 1.28																								
CCT & CRI	5000K, 80+ CRI																								
Initial Delivered Lumens	5843																								
Wattage	47.0W																								
Efficacy	124																								
Beam Angle	50% = 125.7° 10% = 163.9°																								
Spacing	0° = 1.30 90° = 1.32																								
		Indoor Candela Plot			Indoor Candela Plot																				