

DLLP LOWPRO CANLESS DIRECT
5 CCT COLOR PREFERENCE®
J-BOX MOUNT RECESSED DOWNLIGHT

KEY FEATURES

- Luminaire shall use ETi SSL's patented Color Preference with 5 Selectable CCTs (2700K, 3000K, 3500K, 4000K, 5000K), using Samsung LEDs
- 90+ CRI (JA8 Title 24 Compliant) | High R9 and R13 values
- IC Rated for maximum thermal management
- Triac dimming down to 10%—quiet and flickering free
- Wet location

SPECIFICATIONS

Construction

- Durable die-cast aluminum low profile trim with ¼" surface profile
- Suitable for IC or Non-IC applications
- Matte white finish
- Optional non-conductive trim accessories for sizes 3" through 6", available in, Black, Oil Rubbed Bronze, and Brushed Nickel

Optics

- High impact, polymer diffuser lens for zero pixelation and overall visual comfort
- Uniform, even light distribution

Installation

- Two low-profile spring retention clips for a secure fit—no need for a separate recessed housing or junction box
- Easy to installed and service from below the mounting/ceiling surface
- Minimum 2" plenum space required to install the remote driver box
- Field select one of five CCTs at installation with an integral switch accessible on J-Box. Factory set to 2700K.

Electrical

- >54,000 hour LEDs at L70 for reduced maintenance
- Operates at 120V, 60Hz
- Triac dimming, down to 10%*
- ETi SSL patented 5 CCT COLOR PREFERENCE® allowing for easy field-adjustable color temperature selection with switch located on J-Box

* Always consult dimmer manufacturer for proper use, installation and compatibility (some dimmers may require a neutral in the wall box).

Warranty

5-Year Standard Warranty. See terms at: ETISSL.com/warranty/

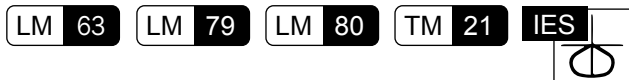
KEY DATA	
Lumen Range	552 – 2203
Wattage Range	8.82 – 22.7
Efficacy Range (LPW)	74-97 (based on 3500K)
Reported Life (Hours)	L70 / >54,000
Input Current (mA)	90-195

DATE:	PROJECT:
TYPE:	NOTES:
CATALOG #:	

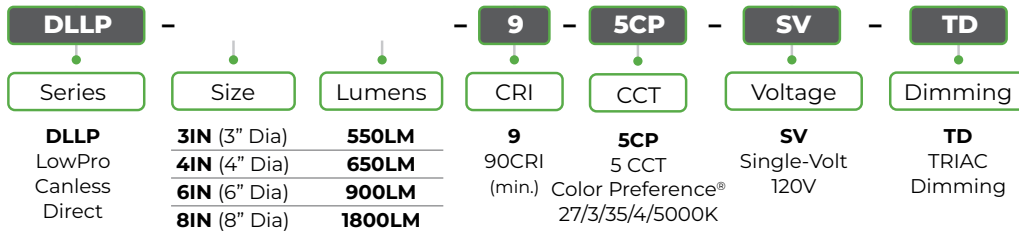


Certifications & Test Data

- All luminaires are built to UL 1598 standards and have the appropriate UL labels and information on product (See Page 3 for search info.)
- Wet location
- Adheres to LM63, LM79, LM80 and TM21 industry standards for photometric, lumen maintenance and lifetime calculations
- ENERGY STAR® rated (See Page 3 for search info.)
- Product can be used to comply with California Title 24 Efficiency Standards
- JA8 Title 24 Compliant
- IC Rated for direct contact with insulation
- Suitable for use in closets when installed in accordance with NEC Section 410.16 (A)(1)(3) and 410.16 (C)(1)(3)(5)



CATALOG LOGIC



Notes:

1. This product is not configurable, only designated 'Stock' SKUs are available. Lumens correspond to 3IN-8IN sizes
2. Factory set at 2700K. Installing contractor responsible for ensuring desired CCT is selected during installation.

STOCK ORDERING INFORMATION (typical 2-3 day shipment lead time)¹

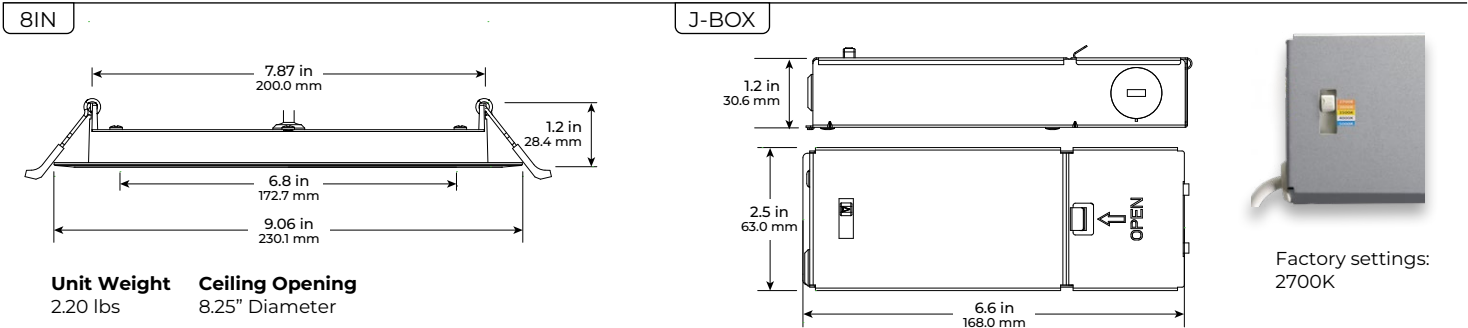
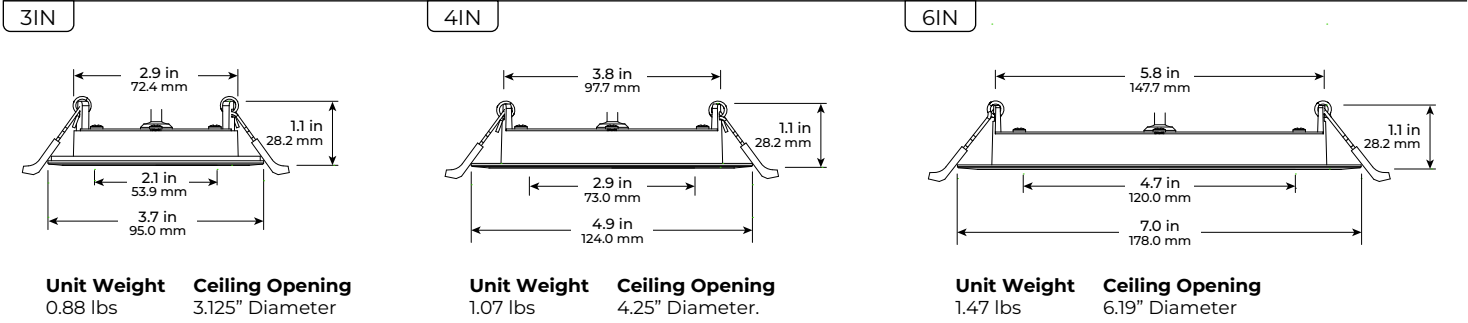
Catalog Part Number	Order Number	Description (Dia)	Case QTY	CRI	CCT (5CP)	Watts (Nom.)	Lumen Pkg	Delivered Lumens	LPW	Voltage	Dim	ENERGY STAR®
DLLP-3IN-550LM-9-5CP-SV-TD	53840101	3" LowPro Canless Downlight	24	90+	2700K	10	550	552	57	120V	TRIAC	Yes, Search 538401##
					3000K	10	550	599	62			
					3500K	10	550	641	67			
					4000K	10	550	648	67			
					5000K	10	550	647	67			
DLLP-4IN-650LM-9-5CP-SV-TD	53808103	4" LowPro Canless Downlight	16	90+	2700K	11	650	734	72	120V	TRIAC	Yes, Search 538081##
					3000K	11	650	777	76			
					3500K	11	650	835	82			
					4000K	11	650	858	84			
					5000K	11	650	860	84			
DLLP-6IN-900LM-9-5CP-SV-TD	53807103	6" LowPro Canless Downlight	10	90+	2700K	15	900	1142	83	120V	TRIAC	Yes, Search 538071##
					3000K	15	900	1218	89			
					3500K	15	900	1319	96			
					4000K	15	900	1364	99			
					5000K	15	900	1370	100			
DLLP-8IN-1800LM-9-5CP-SV-TD	538292020	8" LowPro Canless Downlight	10	90+	2700K	25	1800	1898	85	120V	TRIAC	Yes, Search 538292###
					3000K	25	1800	2079	95			
					3500K	25	1800	2159	99			
					4000K	25	1800	2263	102			
					5000K	25	1800	2268	100			

- Notes: 1. Stock SKUs typically ship in 24-48 hours upon receipt of an approved released order
 2. For more delivered lumens and test data see pages 2-5, or visit ETISSL.com

AVAILABLE STOCK ACCESSORIES (must be ordered separately, field installed)

Catalog Part Number	Order Number	Description	Details
LPGP-3IN	70306101	3in Rough-in Guide Plate (new construction)	
LPGP-4IN	70307101	4in Rough-in Guide Plate (new construction)	
LPGP-6IN	70313101	6in Rough-in Guide Plate (new construction)	
DLLP-3IN-G2-TRIM-B	906007970	3in Black Trim	
DLLP-3IN-G2-TRIM-BZ	906007960	3in Oil Rubbed Bronze Trim	
DLLP-3IN-G2-TRIM-BN	906007980	3in Brushed Nickel Trim	
DLLP-4IN-TRIM-B	90600747	4in Black Trim	
DLLP-4IN-TRIM-BZ	90600735	4in Oil Rubbed Bronze Trim	
DLLP-4IN-TRIM-BN	90600746	4in Brushed Nickel Trim	
DLLP-6IN-TRIM-B	90600749	6in Black Trim	
DLLP-6IN-TRIM-BZ	90600736	6in Oil Rubbed Bronze Trim	
DLLP-6IN-TRIM-BN	90600748	6in Brushed Nickel Trim	
LP-12FT-EXTENCORD-IP65	906007760	12ft IP65 Extension Cable (low voltage)	
LP-20FT-EXTENCORD-IP65	906007770	20ft IP65 Extension Cable (low voltage)	
EMA25FY-170	70112202-2	Square Emergency LED Driver BBU 25W, IP rated, 90 min	BBUs certified in CA Title 20 MAEDBS Search: EMA25FY-170 INFORMATION

DIMENSIONS / DETAILS



PERFORMANCE / Data

Lumen Maintenance

Ambient Temp.	TM-21 Lumen Maintenance (54,000 hours)
25° C (77° F)	> 70.81%
Ambient Temp.	TM-21 Theoretical L70 (hours)
25° C (77° F)	>54,000

Load Information

Power Factor	> 0.90
THD	< 20%
Frequency	60 Hz
Sound Rating	< 20 Dba
Low Temp Start / Max Temp	-25° C (-13° F) / 40° C (104° F)

Note: Delivered lumen data are according to IES test reports. See following page for IES samples and links.

PHOTOMETRIC SAMPLES

3IN

IES

Luminaire Data: 3" at 3500K

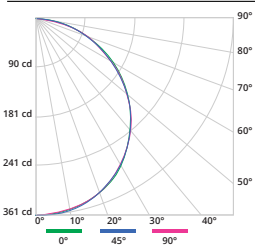
CCT & CRI	3500K, 90+ CRI
Delivered Lumens	641
Wattage	9.6W
Efficacy	67
Beam Angle	50%=112.5° 10%=159.2°
Spacing	0° = 1.28 90° = 1.28

Photometric values based on tests performed in compliance with LM-63 & LM-79

Zonal Lumen Summary

Zone	Lumens	% Luminaire
0-30	184.4	28.1%
0-40	301.1	45.9%
0-60	529.4	80.6%
0-90	656.5	100.0%
0-180	656.7	100.0%

Candela Plot



Candela Distribution

Angle	0°	90°
0	228	228
5	228	227
10	225	224
15	220	220
20	214	213
25	205	205
30	194	194
35	182	182
40	168	168
45	153	153
50	136	137
55	119	119
60	99	100
65	79	80
70	59	59
75	37	38
80	18	18
85	6	5
90	0	0

% Effective Ceiling Cavity Reflectance

Ceiling	80%				70%				50%				30%				10%				0%
	70	50	30	10	70	50	30	10	50	30	10	50	30	10	50	30	10	50	30	10	0
Wall																					
RCR	Zonal cavity method—Effective floor reflectance = 20%																				
0	119	119	119	119	116	116	116	116	111	111	111	111	106	106	106	106	102	102	102	102	100
1	109	105	101	97	107	102	99	95	98	95	92	92	94	92	89	89	91	89	87	85	
2	99	91	85	79	97	89	83	78	86	81	76	76	83	78	75	75	80	76	73	71	
3	91	80	72	66	88	79	71	65	76	69	64	64	73	68	63	63	70	66	62	60	
4	83	71	62	56	81	70	62	55	67	60	55	55	65	59	54	54	63	58	53	51	
5	76	64	55	48	74	62	54	48	60	53	47	47	58	52	47	47	56	51	46	44	
6	70	57	48	42	69	56	48	42	54	47	41	41	53	46	41	41	51	45	41	39	
7	65	52	43	37	64	51	43	37	50	42	37	37	48	41	36	36	47	41	36	34	
8	61	47	39	33	59	47	39	33	45	38	33	33	44	37	33	33	43	37	32	30	
9	57	43	35	30	55	43	35	30	42	35	29	29	41	34	29	29	40	34	29	27	
10	53	40	32	27	52	40	32	27	39	32	27	27	38	31	27	27	37	31	27	25	

4IN

IES

Luminaire Data: 4" at 3500K

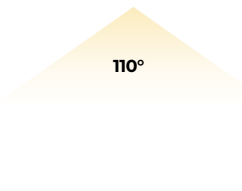
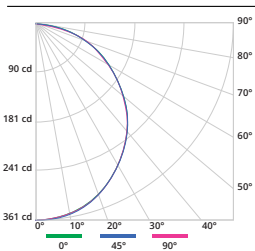
CCT & CRI	3500K, 90+ CRI
Delivered Lumens	835
Wattage	10.2W
Efficacy	82
Beam Angle	50%=110.0° 10%=159.8°
Spacing	0° = 1.24 90° = 1.24

Photometric values based on tests performed in compliance with LM-63 & LM-79

Zonal Lumen Summary

Zone	Lumens	% Luminaire
0-30	233.56	28%
0-40	380.36	45.50%
0-60	666.36	79.80%
0-90	834.7	99.90%
0-180	834.98	100%

Candela Plot



Candela Distribution

Angle	0°	90°
0	304	304
5	302	302
10	298	297
15	290	290
20	280	280
25	267	267
30	252	252
35	234	235
40	216	216
45	195	195
50	173	174
55	151	152
60	128	127
65	103	103
70	78	78
75	52	52
80	27	27
85	7	8
90	0	0

% Effective Ceiling Cavity Reflectance

Ceiling	80%				70%				50%				30%				10%				0%
	70	50	30	10	70	50	30	10	50	30	10	50	30	10	50	30	10	50	30	10	0
Wall																					
RCR	Zonal cavity method—Effective floor reflectance = 20%																				
0	119	119	119	119	116	116	116	116	111	111	111	111	106	106	106	106	102	102	102	102	100
1	109	104	100	96	106	102	98	95	98	95	92	92	94	91	89	89	90	88	86	84	
2	99	91	84	79	97	89	83	78	86	80	76	76	82	78	74	74	79	76	72	70	
3	90	80	72	65	88	78	71	65	75	69	64	64	73	67	62	62	70	65	61	59	
4	83	71	62	55	80	69	61	55	67	60	54	54	65	58	53	53	62	57	53	51	
5	76	63	54	48	74	62	54	47	60	53	47	47	58	52	46	46	56	50	46	44	
6	70	57	48	42	68	56	48	41	54	47	41	41	53	46	41	41	51	45	40	38	
7	65	52	43	37	63	51	43	37	49	42	36	36	48	41	36	36	46	40	36	34	
8	61	47	39	33	59	46	38	33	45	38	33	33	44	37	32	32	43	37	32	30	
9	57	43	35	30	55	43	35	29	42	34	29	29	40	34	29	29	39	33	29	27	
10	53	40	32	27	52	39	32	27	38	31	27	27	37	31	26	26	37	31	26	25	

6IN

IES

Luminaire Data: 6" at 3500K

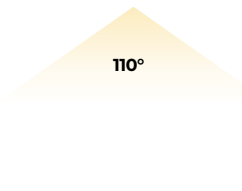
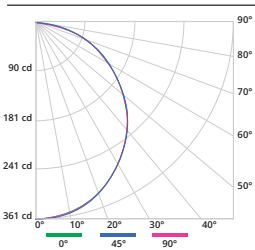
CCT & CRI	3500K, 90+ CRI
Delivered Lumens	1319
Wattage	13.8W
Efficacy	76
Beam Angle	50%=110.1° 10%=160.4°
Spacing	0° = 1.24 90° = 1.24

Photometric values based on tests performed in compliance with LM-63 & LM-79

Zonal Lumen Summary

Zone	Lumens	% Luminaire
0-30	366.24	27.80%
0-40	597.29	45.30%
0-60	1048.16	79.50%
0-90	1318.28	100%
0-180	1318.76	100%

Candela Plot



Candela Distribution

Angle	0°	90°
0	475	475
5	473	473
10	467	466
15	455	454
20	439	439
25	419	419
30	396	396
35	370	369
40	340	340
45	308	308
50	274	274
55	238	238
60	201	201
65	162	162
70	123	123
75	84	84
80	47	47
85	13	14
90	0	0

% Effective Ceiling Cavity Reflectance

Ceiling	80%				70%				50%				30%				10%				0%
	70	50	30	10	70	50	30	10	50	30	10	50	30	10	50	30	10	50	30	10	0
Wall																					
RCR	Zonal cavity method—Effective floor reflectance = 20%																				
0	119	119	119	119	116	116	116	116	111	111	111	111	106	106	106	106	102	102	102	102	100
1	109	104	100	96	106	102	98	94	98	94	91	91	94	91	89	89	90	88	86	84	
2	99	91	84	78	96	89	83	77	85	80	76	76	82	78	74	74	79	75	72	70	
3	90	80	72	65	88	78	71	64	75	69	63	63	72	67	62	62	70	65	61	59	
4	83	71	62	55	80	69	61	55	67	60	54	54	64	58	53	53	62	57	52	50	
5	76	63	54	47	74	62	54	47	60	52	47	47	58	51	46	46	56	50	46	44	
6	70	57	48	41	68	56	47	41	54	46	41	41	52	46	40	40	51	45	40	38	
7	65	51	43	37	63	51	42	36	49	42	36	36	48	41	36	36	46	40	36	34	
8	61	47	38	33	59	46	38	33	45	38	32	32	44	37	32	32	43	36	32	30	
9	57	43	35	29	55	43	35	29	41	34	29	29	40	34	29	29	39	33	29	27	
10	53	40	32	27	52	39	32	27	38	31	26	26	37	31	26	26	36	30	26	24	

PHOTOMETRIC SAMPLES

8 IN

CEILING

Luminaire Data: 8" at 3500K

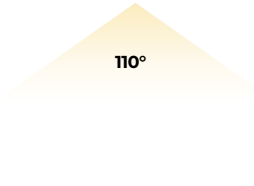
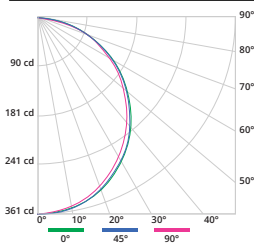
CCT & CRI	3500K, 90+ CRI
Delivered Lumens	2159
Wattage	21.7W
Efficacy	99
Beam Angle	50%=110.6° 10%=161.6°
Spacing	0° = 1.26 90° = 1.22

Photometric values based on tests performed in compliance with LM-63 & LM-79

Zonal Lumen Summary

Zone	Lumens	% Luminaire
0-30	594.29	27.50%
0-40	970.23	44.90%
0-60	1707.05	79.10%
0-90	2159.28	100.00%
0-180	2159.37	100.00%

Candela Plot



Candela Distribution

Angle	0°	90°
0	770	770
5	767	763
10	757	749
15	740	728
20	716	700
25	685	667
30	649	628
35	607	584
40	560	536
45	510	484
50	455	429
55	39	371
60	337	312
65	274	251
70	210	190
75	147	129
80	85	70
85	29	20
90	0.03	0

% Effective Ceiling Cavity Reflectance

Ceiling	80%		70%		50%		30%		10%		0%							
Wall	70	50	30	10	70	50	30	10	50	30	10	50	30	10	50	30	10	0
RCR	Zonal cavity method—Effective floor reflectance = 20%																	
0	119	119	119	119	116	116	116	116	111	111	111	106	106	106	102	102	102	100
1	109	104	100	96	106	102	98	94	97	94	91	94	91	89	90	88	86	84
2	99	91	84	78	96	89	82	77	85	80	75	82	77	74	79	75	72	70
3	90	80	71	65	88	78	70	64	75	68	63	72	67	62	70	65	61	59
4	82	70	62	55	80	69	61	54	67	59	54	64	58	53	62	57	52	50
5	76	63	54	47	74	62	53	47	60	52	46	58	51	46	56	50	45	43
6	70	57	48	41	68	56	47	41	54	46	41	52	45	40	51	45	40	38
7	65	51	43	36	63	51	42	36	49	41	36	48	41	36	46	40	35	33
8	60	47	38	32	59	46	38	32	45	37	32	44	37	32	42	36	32	30
9	56	43	35	29	55	42	35	29	41	34	29	40	34	29	39	33	29	27
10	53	40	32	26	52	39	32	26	38	31	26	37	31	26	36	30	26	24