

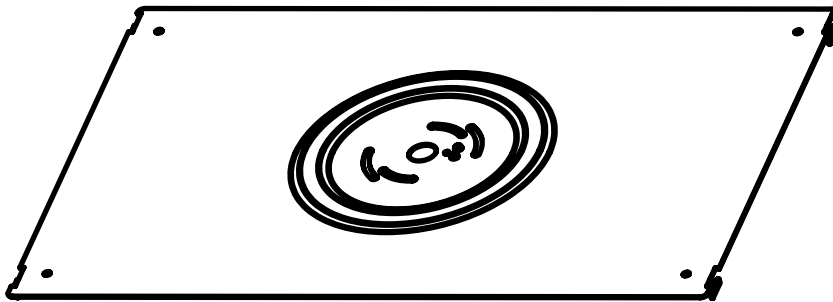


**SOLID STATE™
LIGHTING
INC.**

Item # 90600017

USE AND CARE GUIDE

2'X2' MOUNTING BRACKET



Questions, problems, missing parts?
Call ETi SSL Customer Service
9 a.m. – 5 p.m., EST, Monday - Friday
1-855-ETI-SSL (1-855-384-7754)

WWW.ETISSL.COM

THANK YOU

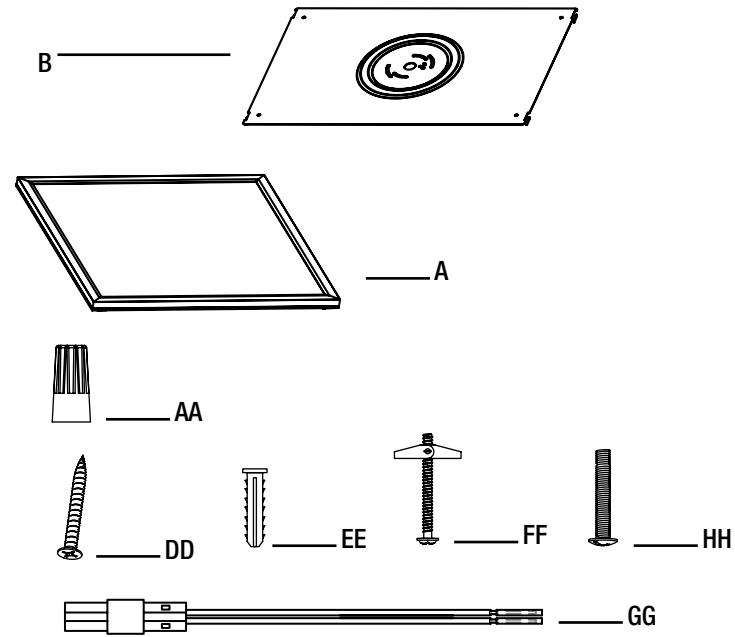
We appreciate the trust and confidence you have placed in ETi through the purchase of this LED light. We strive to continually create quality products designed to enhance your home. Visit us online to see our full line of products available for your home improvement needs.

Thank you for choosing ETi!

PACKAGE CONTENTS

Part	Description	Quantity
B	2'x2' Mounting Bracket	1

Part	Description	Quantity
AA	Wire Connector (not included)	3
DD	Drywall Screw	4
EE	Drywall Anchor	4
FF	Toggle bolt	4
GG	Two-wire connector	1
HH	Junction Box Screw	2
A	Flat Panel (not included)	1



WARNING: Lamp Housings 543201XX(XX=00~99) may be assembled with part FRAME 90600017. When Lamp Housings model 543201XX(XX=00~99) is assembled with Part FRAME 90600017. The final assembly complies with UL 1598 category IFAM Fixed luminaire requirements.

Installation

Select a suitable location that can support the weight of the fixture. Determine the method of mounting before beginning installation.



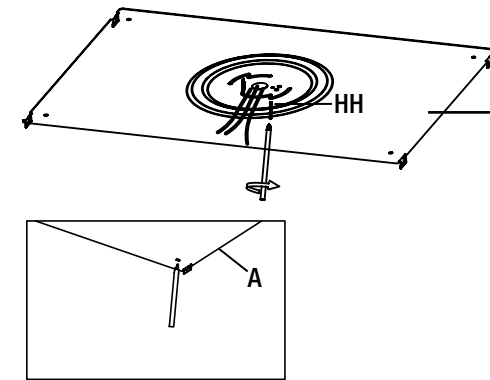
WARNING: RISK OF ELECTRIC SHOCK. Ensure the electricity to the wires you are working on is shut off. Either remove the fuse or turn off the circuit breaker before removing the existing light fixture or installing the new one.

With power disconnected to your electrical box, remove the existing fixture. Make a sketch of how the current fixture is wired (by wire color) or mark the wires with masking tape and a pencil so you will know how to properly reconnect the wires to the new LED light fixture.

Installation

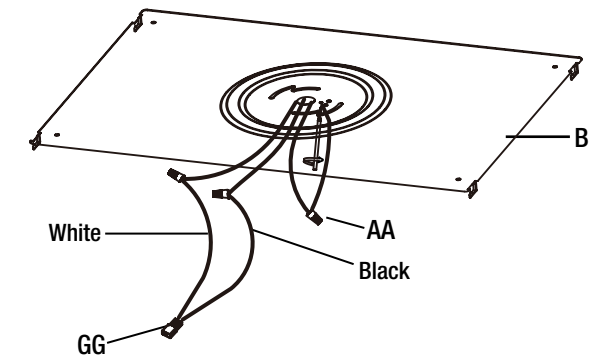
1 Marking the mounting location

- With help from another person, hold the Mounting Bracket (B) up to the ceiling,
- Place Mounting Bracket (B) over junction box, align the Mounting Bracket (B) in the direction where the Flat Panel(A) (not included) be aligned.
- Install the Mounting Bracket (B) to the junction box using the two Junction Box Screw (HH).
- Mark four holes location for mounting



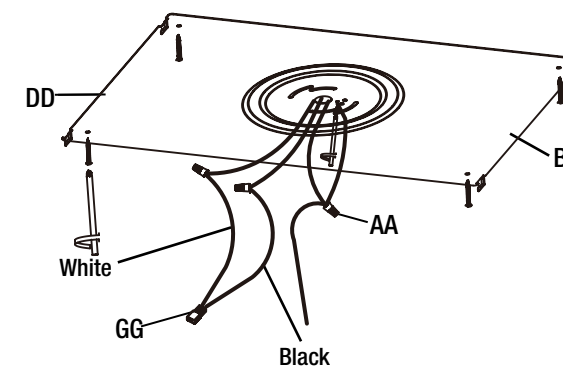
2 Connecting the electrical wires

- Attach the free end of the provided Two-Wire Connector (GG) to the identically colored wire from the junction box.
- Connect the black wires by placing them together and screwing the provided Wire Connector (AA) (not included) onto the ends. Repeat for the white wires.
- Wrap the Wire Connector (AA) (not included) with electrical tape for a more secure connection.



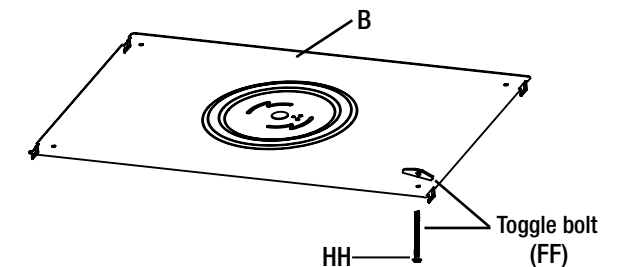
3 Mounting to drywall

- Remove the Mounting Bracket (B).
- Drill four 1/8" pilot holes into the screw locations marked on the ceiling.
- Install Drywall Anchor(EE) and Drywall Screw(DD).
- Finish tightening the Drywall Screw(DD) until the Mounting Bracket(B) is tightly secured to the ceiling.



4 Mounting to Wood

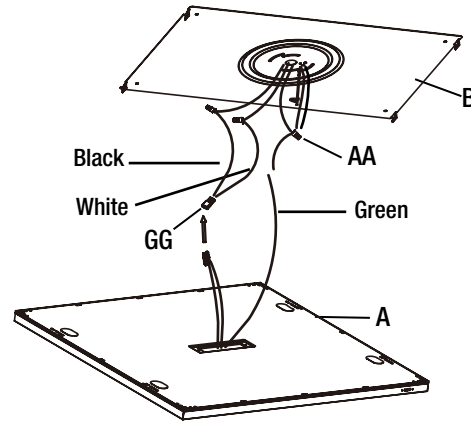
- Remove the Mounting Bracket (B).
- Drill four holes with a 5/8" drill bit
- Tighten the Toggle Bolt (FF) go through the wood, make sure the Mounting Bracket(B) is tightly secured to the ceiling.



Installation (continued)

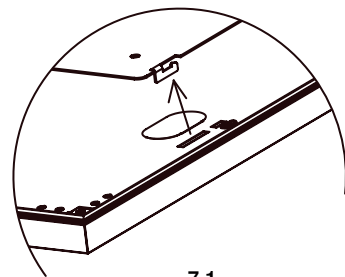
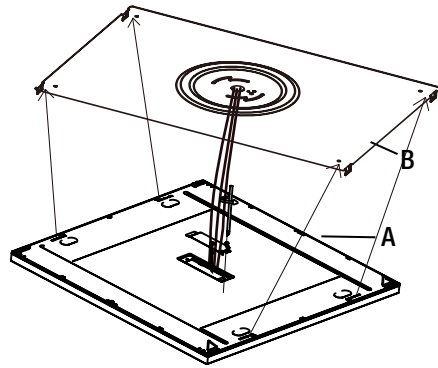
5 Connecting the Two Wire Connector

- Open the cover of junction box.
- Connect the Two-Wire Connector (GG) in step 2 and the Two-Wire Connector of the Flat Panel (B).
- Connect the green wire from the Flat Panel (A) (not included) to the Grounding wire from the electrical box.
- Wrap the Wire Connector (AA) (not included) with electrical tape for a more secure connection.

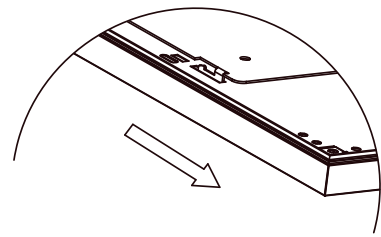


6 Attaching the Flat Panel to the Mounting Bracket

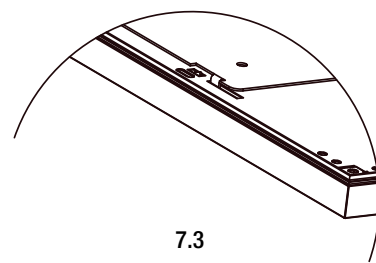
- Place the connected electrical wires into the junction box.
- Install the fixture to the Mounting Bracket (B) by aligning the mounting hooks to the slots located on the back of the Flat Panel (A) (not included).



7.1
Align the rectangular hole
the back of the Flat Panel (A)
with the hook on the
Mounting Bracket (B)



7.2
Shift the Flat Panel (A)
according to the direction of the
arrow,
until the hook is hooked



7.3
Align the four slots on the
back of the Flat Panel (A) with the
four hooks on the Mounting Bracket
(B), being careful not to bend the
hooks, slide to lock.

Care and Cleaning



CAUTION: Before attempting to clean the fixture, disconnect the power to the fixture by turning the breaker off or removing the fuse from the fuse box.

- Clean the fixture with a soft, dry cloth.
- Do not use cleaners with chemicals, solvents, or harsh abrasives.
- Do not use liquid cleaner on the LEDs, LED driver, or wiring inside the light fixture.

Troubleshooting



WARNING: Before doing any work on the fixture, disconnect power to the light fixture.

Minor problems often can be fixed without the help of an electrician.

Problem	Possible Cause	Solution
The fixture will not light.	The power is off.	Ensure the power supply is on.
	The circuit breaker is off.	Ensure the circuit breaker is in the on position.
	There is a bad connection.	Check to ensure proper wire connections are made. Contact a qualified electrician.
	There is a defective switch.	Contact a qualified electrician.
The fuse blows or the circuit breaker trips when the light is turned on.	The wires are crossed or the power wire is grounding out.	Check the wire connections. Contact a qualified electrician or call customer service 1-855-384-7754.



Questions, problems, missing parts?
Call ETi SSL Customer Service
9 a.m. – 5 p.m., EST, Monday - Friday
1-855-ETI-SSL (1-855-384-7754)

WWW.ETISSL.COM

Retain this manual for future use.