

DATE:	PROJECT:
TYPE:	NOTES:
CATALOG #:	

DOWNLIGHT GUIDE PLATES
FOR LOWPRO PRODUCTS

KEY FEATURES

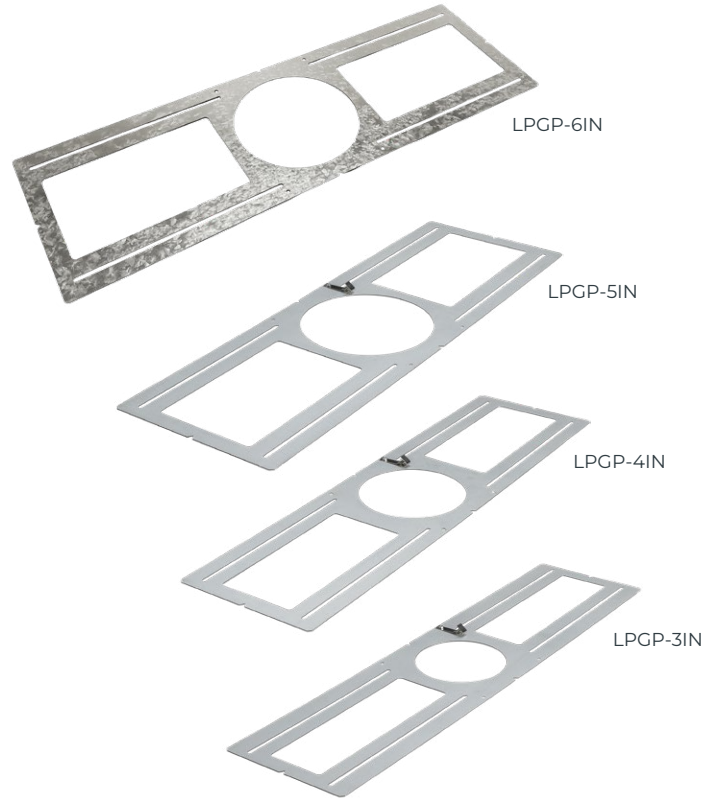
ETi SSL's Guide Plates are ideal for new construction pre-wiring and easier layout planning. They work as place holders for recessed or canless lights. Prior to installing drywall, place guide plate at desired location then attach to joist or beam.

Construction

- Each guide plate is made from durable galvanized steel

Mounting

- Place guide plate at your desired location then attach to joist or beam
- Fits joists up to 24 inches apart



STOCK ORDERING INFORMATION (typical 2-3 day shipment lead time)¹

Catalog Part Number	Compatible with these LowPro Products	Hole Size	Length	Case QTY
LPGP-6IN	DL-6-90-906-SV-D DLLP-NL-6IN-900LM-9-5CP-SV-TD	6.22" Dia.	25.98"	30
LPGP-5IN	DL-5-90-906-SV-D	5.15" Dia.	25.98"	20
LPGP-4IN	DL-4-90-906-SV-D DLLP-NL-4IN-900LM-9-5CP-SV-TD	4.48" Dia.	25.98"	20
LPGP-3IN	DL-3-90-906-SV-D DLLP-NL-3IN-900LM-9-5CP-SV-TD	3.5" Dia.	25.98"	24

Notes: 1. Stock SKUs typically ship in 24-48 hours upon receipt of an approved released order