

DATE:	PROJECT:
TYPE:	NOTES:
CATALOG #:	

BICOLOR LED EXIT SIGN
 RED AND GREEN DOUBLE FACE PANELS
 WITH 90 MIN. NI-MH BATTERY BACKUP

KEY FEATURES

ETi SSL's Bicolor LED Exit Signs with high impact UL 94V-0 flame-rated thermoplastic housing are a great value option for standard indoor egress systems.

- Bicolor red/green panels with field adjustable red/green LEDs
- High impact UL 94V-0 flame rated thermoplastic housing
- 120/277V dual voltage operation
- Rated Operating temperatures from 32°F to 104°F (0°C to 40°C)
- 6" height with 3/4" letter stroke
- Single or double-face (Universal)
- Built in 1.2V 1000mAh Ni-MH battery for minimum 90 min.
- Emergency operation (max 24 hr full recharge time)



LEDs



Battery

SPECIFICATIONS

Illumination and Legend

- Long-life, high-intensity LEDs—only 1W of energy use
- Fully illuminated 6" characters with 3/4" stroke
- LED colors are field adjustable and can be set to red or green to match selected red or green diffuser panels and help eliminate hot spots

Construction

- Injection-molded thermoplastic ABS housing, UL 94V-0 flame rating
- White Finish

Electrical

- Dual-voltage input 120 or 277VAC, 50/60Hz.

Battery Backup

- Ni-MH battery
- Battery operating time: >90 minutes
- Max 24-hour recharge time
- Sign features a test button and AC indicator light

Installation and Mounting

- Included mounting canopy easily snaps on to the back, top, or side of the fixture
- Suitable for surface wall, side, top and back mounting
- Universal J-box mounting pattern

Environment

- Damp location rated
- Temperature rating: 32°F-104°F (0°C to 40°C)

Warranty

- 3-Year Warranty on LEDs
- 2-Year Warranty on Ni-MH battery
- 5-Year Limited Warranty on electronics and housing. See ETiSSL.com for details.

KEY DATA	
Power Factor, Average	0.051
Maximum Wattage	1.1
Battery Type	1.2V Ni-MH
Max Recharge Time	24 hours
Input Current Range	120/277VAC, 50/60 Hz

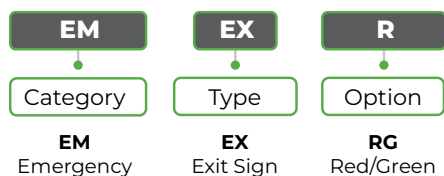
Compliance

- cULus Listed Damp Location
- UL 94V-0 flame rating on housing
- Driver rated for FCC part 15 Class B for use in residential or commercial applications



BICOLOR LED EXIT SIGN RED AND GREEN DOUBLE-FACE PANELS WITH 90 MIN. NI-MH BATTERY BACKUP

CATALOG LOGIC



STOCK ORDERING INFORMATION (typical 2-3 day shipment lead time)¹

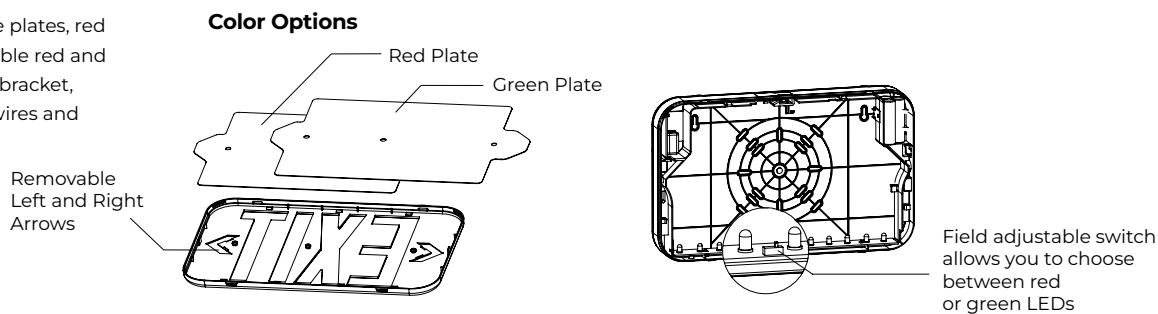
Catalog / Part #	Order Number	Description	Finish	Face	LED Watts	Product Dimensions	Input Voltage	Case QTY	Battery
EM-EX-RG	65505101	Bicolor Red and Green Exit Sign with BBU	White	Single/Double	1	11.6" x 7.2" x 1.8"	120/277V	6	Ni-MH

Notes:

1. Stock SKUs typically ship in 24-48 hours upon receipt of an approved released order.

PRODUCT DETAILS

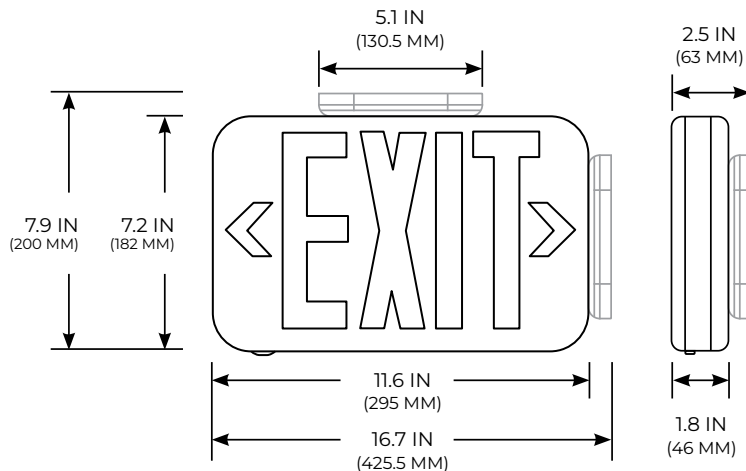
Unit includes housing, two face plates, red and green panels, field-adjustable red and green light options, mounting bracket, canopy and standard jumper wires and wire connectors.



ELECTRONICS / DIMENSIONS

Electronics

- Dual 120/277 voltage.
- Charge rate/power "ON" LED indicator light and push-to-test switch for compliance testing
- 1.2V 1000mah long life, maintenance-free, rechargeable Ni-MH battery
- Internal solid-state transfer switch automatically connects the internal battery to LED board for minimum 90-minute
- Fully automatic solid-state, two rate charger initiates battery charging to recharge a discharged battery in 24 hours.



Unit Weight
1.36 lb