

Project:		Catalog #:		Type:	
Preparer:		Notes:		Date:	

ETI SOLID STATE LIGHTING INC.

WR Direct|Indirect Series

EZ Install Direct | Indirect Architectural Wrap Light
3,977 Direct Lumens | 2,725 Indirect Lumens

Project Applications
Remodel, Retrofit, New Construction, Commercial, Institutional, Offices, Classrooms, Hallways & Corridors, General Open Spaces & More



PRODUCT OVERVIEW

ETi SSL's WR EZ Install Direct|Indirect Architectural Wrap Light Series provides efficient and economical ambient illumination for a wide range of ambient applications. Its unique design architecture makes for a very flexible project solution suitable for remodel, retrofit or new construction commercial and institutional projects. Our products are engineered using the latest innovative LED technologies to provide the perfect mix of modern design, performance, world class quality and reliability. All at a superior value to the designer, specifier, contractor and end-user.

This wrap series can provide direct illumination only (~3,977 lumens), indirect illumination only (~2,725 lumens) or both (6,702 lumens) that is easily controlled by simply toggling the wall switch on & off within 3-seconds of each other. The direct illumination LED array is paired with a low glare diffuse optical lens system that delivers an extremely uniform light distribution optimized for most general open ambient applications. A separate indirect LED array provides soft general up light illumination. Helping to create a warm and inviting architectural effect and feel within the space.

Three different primary mounting options (direct surface mount, suspension mount or pendant/stem mount) can also be paired with the ability for continuous row or end-to-end installation. Making for an extremely flexible and versatile architectural design solution. Combine this with the energy-saving LED direct|indirect illumination functionality and you will be hard pressed to find this much architectural ambient design capability for the same price, value and overall fixture performance.

KEY PRODUCT FEATURES, DETAILS & SPECS

- Direct illumination only (~3,977 LM), indirect only (~2,725 LM) or both (6,702 LM)
- Simply toggle the wall switch on & off within 3-seconds to switch lighting modes
- 120 LPW provides 60+% in energy savings vs. legacy fluorescent luminaires
- DLC qualified for energy savings & potential energy rebate eligibility
- 4000K, 80+ CRI standard for accurate color rendering & visual performance
- Formed steel housing, die-cast end caps, hinged lens design for easy installation
- Uniform illumination w/ diffusing lens for reduced glare & visual comfort
- Standard -20° to 45° C (-4° to 113° F) high ambient temperature rating standard
- (3) mounting options: surface, suspension (included) or pendant/stem (optional)
- Combine mounting options w/ continuous row mounting bracket (included)
- Housing end caps include knockouts for easy thru-wire installation
- Reported L89/60,000, Projected L70 @ 180,000 hours (per IES TM21)
- 120-277V drivers w/ 0-10V dimming capability as standard
- Side mount occupancy sensors for added energy savings & code compliance
- EM battery backup options for safety & code compliance (CA Title 20 MAEDBS)
- Ideal for commercial & residential applications (retrofit, remodel, new construction)

STOCK ORDERING INFORMATION (typical 2-3 day shipment lead time)^{1,2,3}

Catalog Logic/PT#	Model #	Size	Lumens ³	Wattage	LPW	CCT	CRI	Voltage	Dimming	DLC ⁴
WR-4FT-6700LM-8-40K-MV-LVD	56567241	4'	6,702	55.6	120.5	4000K	80 (min)	120-277	0-10V	Standard

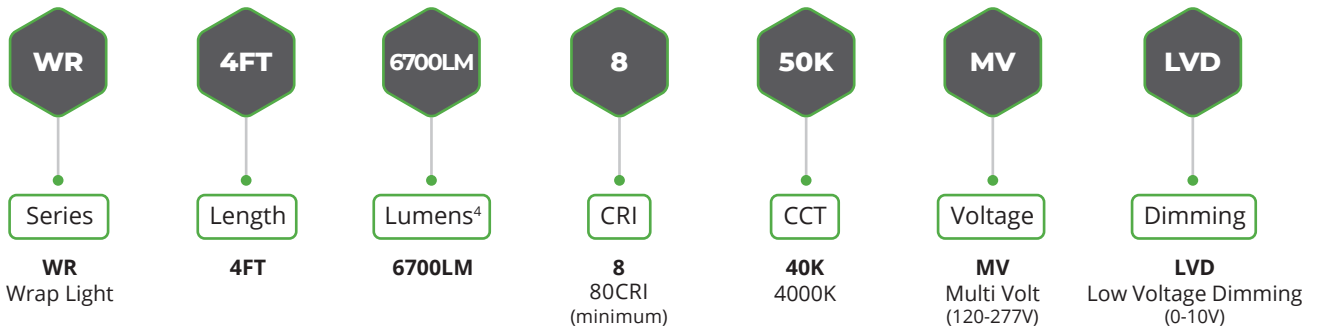
- Notes:
1. See next page for additional available in-stock mounting and product accessories.
 2. Stock SKUs typically ship in 24-48 hours upon receipt of an approved released order.
 3. 6,702 lumens is direct|indirect combined (direct only: ~ 3,977 lumens indirect only: ~ 2,725 lumens).
 4. Search first 6-digits of the model # followed by '###' on the DLC QPL...Ex. '565672###' to view DLC qualified SKUs.

WR Direct|Indirect Series

EZ Install Direct | Indirect Architectural Wrap Light
3,977 Direct Lumens | 2,725 Indirect Lumens | DLC | 5-yr Warranty

CATALOG LOGIC | PART # DECODER^{1,2,3}

Example SKU: WR-4FT-6700LM-8-40K-MV-LVD (Model # 56567241)



Notes:

1. This product is not configurable, only designated 'Stock' SKUs are available.
2. Decoder is to help clarify Catalog Logic | Part # configurations only (see 'Stock Ordering Information' table for available SKUs).
3. Additional configurations may be available for special order (contact factory for details, extended lead times may apply).
4. Lumen values shown are nominal (see 'Stock Ordering Information' or 'Photometric Details' sections for additional performance details).

AVAILABLE STOCK ACCESSORIES (must be ordered separately)



Mounting Accessories¹ (field installed)

Model #	Description
95656724101 ²	pendant/stem mount kit, 8" stem length



Occupancy Sensor^{1,2} (field installed)

Catalog Logic/PT#	Model #	Description
MC054V-RC2-D	70201101-2	External mount step dimming microwave occupancy sensor
MH10 ^{1,2}	70205101	OC sensor handheld remote programmer

Notes:

1. All additional mounting accessories require field installation.
2. Factory stem length w/ threads is approximately 9.3".

Notes:

1. Factory occupancy sensor settings can be changed by using the (70205101) handheld remote programmer accessory.
2. Max handheld remote programmer operating distance of 49.2' (15m) (see OC sensor Instruction Manual for operation and setting details)



Emergency LED Driver/BBU^{1,2} (BBU only field installed, no dimming)

Catalog Logic/PT#	Model #	Description
EMA25FY-170 ^{3,4} (G2)	70112202	Square, 25W, IP rated, 90 minutes
EMUFO-25170-YY ^{3,4} (G2)	70112201	Round, 25W, IP rated, 90 minutes
EM-R-TEST-REMOTE ^{5,6}	70203101	Round BBU handheld test remote

Emergency LED Driver/BBU^{1,2} (BBU field installed w/ OC sensor or dimming)

Catalog Logic/PT#	Model #	Description
EMA25FY-170 ^{3,4} (G3)	70112202-2	Square, 25W, IP rated, 90 minutes
EMUFO-25170-YY ^{3,4} (G3)	70112201-2	Round, 25W, IP rated, 90 minutes
EM-R-TEST-REMOTE ^{5,6}	70203101	Round BBU handheld test remote

Notes:

1. BBUs are certified in CA Title 20 MAEDBS. (search by standalone BBU catalog logic/PT#, Ex. 'EMA25FY-170')
2. Multiply the LPW of specified SKU by BBU wattage for the approximate delivered lumens. (Ex. 120 LPW x 25-watts = approximately 3,000 lumens)
3. Round BBUs are ideal for pendant/suspension installations.
4. Square BBUs are ideal for on-fixture installations.
5. BBU handheld test remote compatible w/ Round BBU only (70112201).
6. Max handheld test remote operating distance of 98' (29.9m).

***** When fixture is installed by standard direct surface mount, it will not be practical to use with a battery back-up unit. The battery back-up unit will only turn on the indirect light once power is lost to the fixture. Battery back-up units should only be used when fixture is installed by suspension or pendant | stem.**

****When fixture is in suspended or pendant mounting and power is restored to the fixture, the wall switch may need to be used to toggle back to direct light.**

WR Direct|Indirect Series

EZ Install Direct | Indirect Architectural Wrap Light
3,977 Direct Lumens | 2,725 Indirect Lumens | DLC | 5-yr Warranty

MOUNTING DETAILS^{1,2,3}

ETi SSL's WR EZ Install Direct | Indirect Architectural Wrap Light Series is designed to be easily installed using three different primary mounting methods (direct surface mount, suspension mount or pendant/stem mount). Each mounting method can be paired with the factory included 'Continuous Row Bracket' for easy end-to-end installation (thru-wire compatible) for additional architectural design and installation flexibility.

Standard Direct Surface Mount¹ (appropriate surface anchors by others)



When using direct surface mount, the toggle option to switch between direct and indirect light will still be active. Fixture may start in indirect light, use wall switch to toggle to direct light.

Standard Suspension Mount¹ (factory included 20" cable | hardware, continuous row shown)



Optional 8" Pendant | Stem Mount² (must be ordered separately)



Notes:

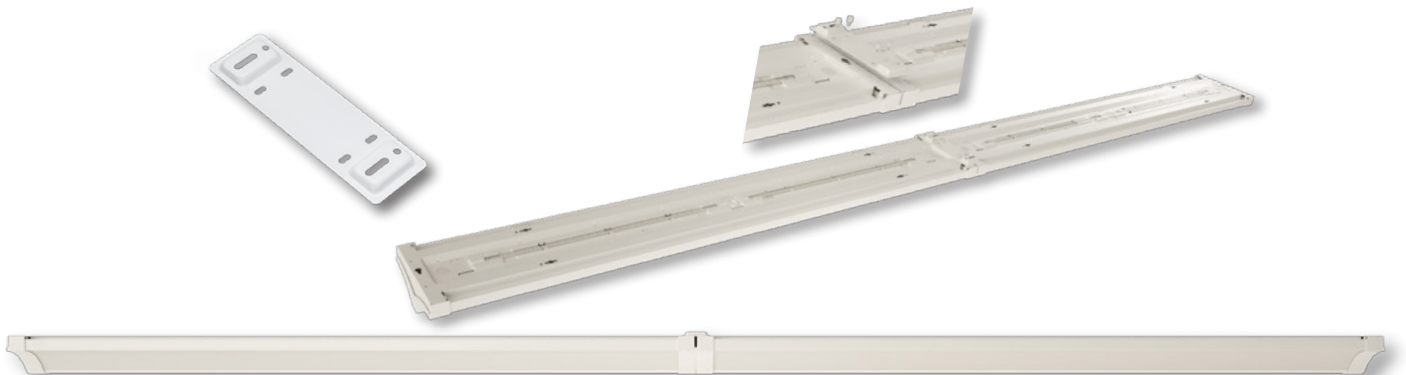
1. Set of (2) 20" air craft style cable & hardware included w/ every fixture (custom compatible cable lengths can be provided by others).
2. Pendant | Stem Mount accessory kit includes 8" threaded stem (custom compatible stem lengths can be provided by others).
3. Every fixture comes w/ (1) continuous row bracket for end-to-end installation (use as needed w/ primary mounting options for added design flexibility).

Optional 8" Pendant | Stem Mount² (must be ordered separately, continuous row shown)



CONTINUOUS ROW MOUNTING DETAILS^{1,2,3}

Each ETi SSL's WR EZ Install Direct | Indirect Architectural Wrap Light includes a 'Continuous Row Bracket' that allows you to quickly connect multiple fixtures end-to-end. This bracket can also be paired with all three primary mounting options (surface, suspension or pendant/stem mount) to create a unique architectural layout and design installation. If desired, up to (8) fixtures for a total of 32' can be thru-wire installed (jumper wires are included).



Notes:

1. Every fixture comes w/ (1) continuous row bracket for end-to-end installation (use as needed w/ primary mounting options for added design flexibility).
2. Up to (8) fixtures can be thru-wire installed (jumper wires are included).

WR Direct|Indirect Series

EZ Install Direct | Indirect Architectural Wrap Light
3,977 Direct Lumens | 2,725 Indirect Lumens | DLC | 5-yr Warranty

OCCUPANCY SENSOR FACTORY SETTINGS DETAILS

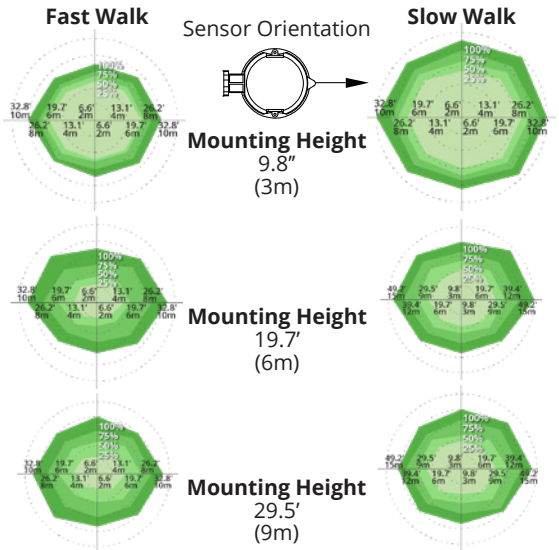
Additional Factory Sensor Settings^{1,2}

Function	Factory Settings
Detection Area	100% (sensor range)
Sensitivity Level	HS - High Sensitivity
Daylight Sensor	Disabled

Notes:

- Settings can be changed using the (70205101) remote programmer. (Max handheld remote programmer operating distance of 49.2' (15m))
- See Instruction Manual for operation and additional setting details.

Sensor Detection Pattern & Range



100%

Occupancy Light Level - 'High Light Level'

When 'Occupancy' is detected, the fixture will remain or switch on at the set dimming level or 'High Light Level'.

5 min

Hold Time - 'Zero Occupancy Time'

Time required with zero occupancy before dimming to the 'Low Light Level' mode or switching to an 'off state'.

10%

Standby Dim Level - 'Low Light Level'

After 'Hold Time' elapses with zero occupancy detected the fixture will dim to the 'Low Light Level' or standby dim level.

5 min

Standby Period - 'Time to OFF State'

Time required after 'Hold Time' elapses before the fixture will switch to an 'off state' with zero occupancy detected.

If set to 0 seconds, fixture will switch to an 'off state' after 'Hold Time' elapses. If set to +∞, the fixture will stay in the 'Low Light Level' mode until occupancy is detected.

PHOTOMETRIC DETAILS

WR-4FT-6700LM-8-40K-MV-LVD

Luminaire Data	
IES File Name	56567241.IES
CCT & CRI	4000K, 80CRI minimum
Initial Delivered Lumens	6,702
Wattage	55.6W
Efficacy	120.5
Beam Angle (H x V)	50° = 101° x 105°
Field Angle (H x V)	10° = 174° x 156°

Photometric values based on tests performed in compliance with LM-63 & LM-79

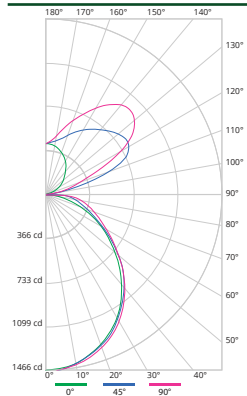
Candlepower

Angle	0°	90°	Angle	0°	90°
0°	1466	1466	90°	3	7
5°	1458	1459	95°	11	59
10°	1431	1438	100°	26	133
15°	1388	1404	105°	48	207
20°	1330	1355	110°	75	326
25°	1256	1292	115°	101	532
30°	1171	1215	120°	126	722
35°	1073	1121	125°	155	875
40°	970	1016	130°	185	961
45°	858	900	135°	218	988
50°	745	786	140°	254	968
55°	630	676	145°	288	911
60°	516	572	150°	320	833
65°	404	485	155°	351	742
70°	295	485	160°	375	653
75°	196	342	165°	395	567
80°	107	279	170°	410	486
85°	40	219	175°	420	435
90°	3	70	180°	423	423

Coefficients of Utilization

rc rw RCR	Effective Floor Cavity Reflectance 20%																							
	80%				70%				50%				30%				10%				0%			
	70	50	30	10	70	50	30	10	50	30	10	50	30	10	50	30	10	50	30	10	50	30	10	0
0	109	109	109	109	102	102	102	102	89	89	89	76	76	76	65	65	65	59	59	59	59	59	59	59
1	99	95	91	87	93	89	85	82	77	74	72	66	64	62	56	55	54	49	49	49	49	49	49	49
2	90	83	76	71	84	77	72	67	67	63	59	58	55	52	49	47	45	41	41	41	41	41	41	41
3	82	73	65	59	77	68	61	56	59	54	50	51	47	44	44	41	38	34	34	34	34	34	34	34
4	75	64	56	50	70	60	53	47	53	47	42	46	41	37	39	36	33	29	29	29	29	29	29	29
5	69	57	49	43	64	54	46	41	47	41	37	41	36	33	35	32	29	26	26	26	26	26	26	26
6	64	51	43	37	59	48	41	35	43	36	32	37	32	29	32	28	25	22	22	22	22	22	22	22
7	59	46	38	33	55	44	36	31	39	33	28	34	29	25	29	25	22	20	20	20	20	20	20	20
8	55	42	34	29	51	40	33	28	35	29	25	31	26	23	27	23	20	18	18	18	18	18	18	18
9	51	39	31	26	48	36	29	25	32	27	22	28	24	20	25	21	18	16	16	16	16	16	16	16
10	48	35	28	23	45	34	27	22	30	24	20	26	22	18	23	19	16	15	15	15	15	15	15	15

Indoor Candela Plot



Zonal Lumen Summary

Zone	Lumens	% Luminaire
0-30°	1120	16.7%
0-40°	1811	27.0%
0-60°	3087	46.1%
0-90°	3977	59.3%
90-180°	2725	40.7%
0-180°	6702	100.0%

WR Direct|Indirect Series

EZ Install Direct|Indirect Architectural Wrap Light

3,977 Direct Lumens | 2,725 Indirect Lumens | DLC | 5-yr Warranty

PRODUCT SPECIFICATIONS

Construction

Low-profile 3.0" tall, formed steel primary housing with a full-length internal center driver and wiring compartment. Each die-cast aluminum housing end-cap includes a single 1/2" knockout for thru-wire and continuous row installation. Additional (3) 1/2" knockouts located on top of housing for wire entry. Self captive die-cast housing end caps can be removed without tools to access the main housing's tool-less latch and housing/lens hinge assembly. Hinge the primary housing to access and remove the tool-less center driver and wiring compartment cover for added ease of installation. Specially engineered thermal management helps to promote cooling and reduce operating temperatures to help maximize the life of all electrical components. Fixture is designed for use in damp locations.

Optics & LED Platform

LEDs are surface mounted to (2) direct illumination and (2) indirect metal printed circuit boards (MCPCBs). The direct LED arrays are coupled with a semi-diffuse, 1.2mm thick secondary polymer lens. Diffusing lens provides a uniform and soft visual appearance when in direct view with minimal LED pixelation, providing excellent visual comfort. The indirect LED arrays are coupled with an over optic to provide general uplight ambient lighting. Easily switch between lighting modes (direct & indirect, indirect only or direct only) by toggling a dedicated wall switch on & off within (3) seconds. Optical system generates an extremely uniform, all-purpose up/down distribution. Available in 4000K CCT, with a minimum CRI of 80.

Electrical

UL recognized drivers are rated for 50,000 hours to deliver optimal performance over the extended system life of the luminaire. Universal 120-277V with 0-10V dimming capability (dimming range of 100% to 10%) for use with secondary controls by others. Drivers shall have a power factor greater than 0.90 and less than 20% total harmonic distortion. Drivers are rated for FCC part 15 Class B use in commercial applications. 89.0% LED lumen maintenance at 60,000 hours (L89/60,000) per IES TM21. Projected L70 @ 180,000 hours per IES TM21.

Mounting & Installation

Luminaire is designed for easy direct surface mounting standard or via the included 20" suspension mount cable system (all ceiling anchors & hardware supplied by others). Additional aircraft cable or suitable suspension mounting systems can be used as required per application (supplied by others). Optional 8" pendant | stem mount accessory kit also available (custom stem lengths by others). Each fixture also includes a continuous row bracket accessory that allows you to quickly connect multiple fixtures end-to-end. Up to (8) fixtures can be thru-wire installed (jumper wires are included) as needed for added design and installation flexibility (max number of thru-wire fixtures can be dependent on local electrical codes). The continuous row bracket can be used with all (3) installation methods. Installer must ensure installation compatibility in any application and overall compliance to all applicable local and national building and electrical codes.

Compliance & Certification

All luminaires are cULus listed and are built for damp location use. Suitable for use in -20° C (-4° F) to 45° C (113° F) high ambient environments. Complies to FCC part 15 Class B. Adheres to LM79, LM80 and TM21 industry standards for performance and lifetime calculations. DesignLights Consortium® (DLC) Standard qualified product. Always refer to DLC website at www.designlights.org/QPL to confirm specific product configurations that are qualified.

(Search first 6-digits of the model # followed by '##' on the DLC QPL...Ex. '565672##' to view DLC qualified products)

Standard Available Control Options

Optional external end mounted microwave occupancy sensors are available. Factory sensor settings can be changed using an optional handheld remote programmer accessory (15m|49.2' max distance, see instruction manual for details). Standard factory default settings: 100% high, 10% low, hold time @ 5-minutes (no motion detected, dim to low), standby time @ 5-minutes (time after hold time w/ no motion detected fixture turns off), daylight sensor is disabled.

Standard Available Emergency BBU Options

Optional remote/external emergency battery backup units are available in approximately 25-watts for 120-277V use to meet required life-safety requirements (50° C|122° F max ambient). The battery system provides 90-minutes of continuous power to the LED system for code compliance. BBUs are certified in CA Title 20 MAEDBS. Test switch/indicator light is located on the exterior housing of the round BBU housing and via a remote test switch/indicator light for the rectangular BBU housing. Optional handheld test remote available for round BBU SKU only. Multiply the lumens per watt of the specified SKU by the BBU wattage for the approximate delivered lumens. (Ex. 120 LPW x 25-watts = approximately 3,000 lumens)

Warranty

The WR EZ Install Direct|Indirect Architectural Wrap series ships with ETI SSL's 5-year standard warranty. (Terms & Conditions apply)

Load Information

Power Factor	> 0.90
THD	< 20%
Frequency	50/60 Hz
Sound Rating	< 20 Dba
Low Temp Start	-20° C (-4° F)
Max Temp	45° C (113° F)
Unit Weight	7.8 lbs

Shipping Information

Unit Weight¹	Pallet² (51"l x 44"w x 57"h)
8.9 lbs	40 units per

1. Case pack weighs 20.9 lbs (2 units/case pack).
2. There are 20 case packs per pallet.

Lumen Maintenance

Ambient Temperature	TM-21 Lumen Maintenance (60,000 hours)
25° C (77° F)	> 89.00%

Ambient Temperature	TM-21 Theoretical L70 (hours)
25° C (77° F)	180,000

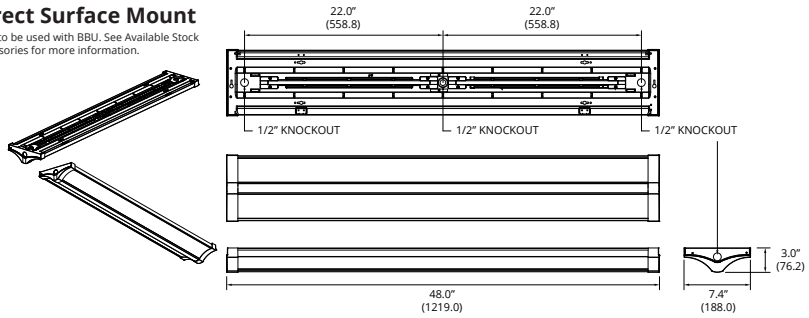
WR Direct|Indirect Series

EZ Install Direct | Indirect Architectural Wrap Light
 3,977 Direct Lumens | 2,725 Indirect Lumens | DLC | 5-yr Warranty

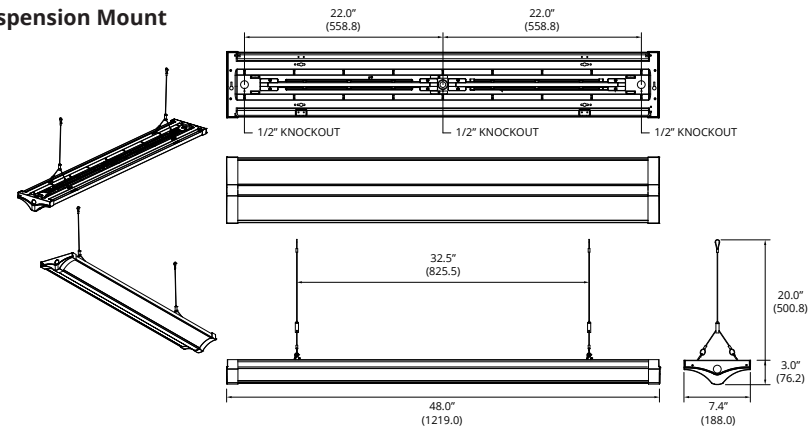
KEY DIMENSIONAL INFORMATION

Direct Surface Mount

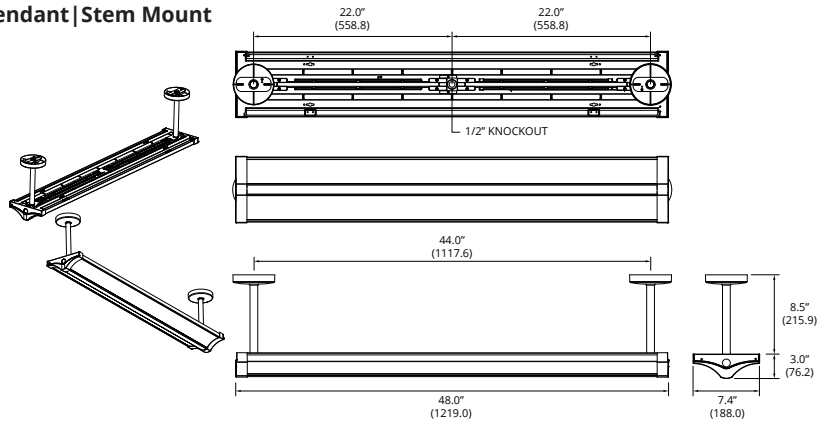
*Not to be used with BBU. See Available Stock Accessories for more information.



Suspension Mount



Pendant | Stem Mount



PROJECT NOTES