

10" FLUSH MOUNT LED CLOSET LIGHT
WITH PULL CHAIN | 1193 lm | 100 LPW | 4000K

KEY FEATURES

ETi's 10" LED Flush Mount Ceiling light is long lasting and energy efficient, with rated life of 50,000 hours and efficacy of 100 LPW.

- ETi's TwistFit™ Mounting System for easy installation
- Modern dome shaped ceiling light with white durable PC diffuser/lens
- 50,000-hour life
- On/Off pull chain with ETI finial for an easier grab

SPECIFICATIONS

Construction

- Dome shaped, modern fixture
- Pull Chain with finial

Light Quality

- 4000K, 80+ CRI

Optics

- PC diffuser lens for zero pixelation and overall visual comfort
- Uniform, even light distribution

Installation and Function

- Surface mount kit included:
TwistFit Mounting Bracket
Mounting screw and wire connectors

Electrical

- 50,000 hour LEDs at L70 for reduced maintenance
- Operates at 120V, 60Hz
- Operating temperature: -4°F ~ 113°F
- Dimmable—TRIAC

* Always consult dimmer manufacturer for proper use, installation and compatibility (some dimmers may require a neutral in the wall box).

Warranty

5-Year Standard Warranty. See terms at: ETISSL.com/warranty/

DATE:	PROJECT:
TYPE:	NOTES:
CATALOG #:	



KEY DATA	
Lumen	1193
Wattage	11.95
Efficacy (LPW)	100
Reported Life (Hours)	L70 / 50,000

Certifications & Test Data

- All luminaires are built to UL 1598 standards and have the appropriate UL labels and information on product (See Page 2 for search info.)
- Damp location rated
- ENERGY STAR® rated (See Page 2 for search info.)
- Driver rated for FCC part 15 Class B for use in residential or commercial applications
- Suitable for use in closets when installed in accordance to NEC Section 410.16 (A)(1) and 410.16 (C)(1)



10" LED Flush Mount Closet Light WITH PULL CHAIN | 1193 lm | 100 LPW | 4000K

CATALOG LOGIC

FM	10IN	900LM	8	40K	SV
Series	Size	Lumens (Lumen Package)	CRI	CCT	Voltage
FM 10" Flush Mount Closet Light	10IN (10" Dia)	900LM	8 80CRI (min.)	40K 4000K	SV Single-Volt 120V

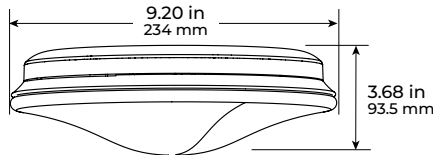
Notes:
1. This product is not configurable, Only designated 'Stock' SKUs are available.

STOCK ORDERING INFORMATION (typical 2-3 day shipment lead time)¹

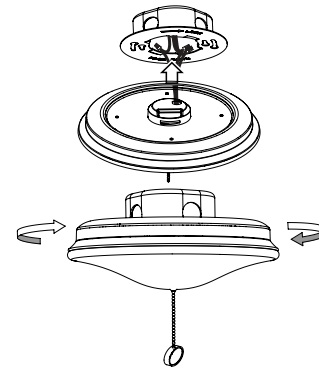
Catalog Part Number	Order Number	Size (Dia)	Case QTY	Lumen Package	Delivered Lumens ²	Wattage (Nominal)	Efficacy	CCT	CRI	Voltage	Dim	ENERGY STAR® / UL
FM-10IN-900LM-8-40K-SV	564221430	10"	4	900	1193	12	100	4000K	80 (min)	120V	TRIAC	ESTAR Search: 564221###

Notes: 1. Stock SKUs typically ship in 24-48 hours upon receipt of an approved released order
2. For more delivered lumens and test data see below, or visit ETISSL.com

DIMENSIONS / DETAILS



Unit Weight
1.17 lbs.



PERFORMANCE / DATA

Lumen Maintenance

Ambient Temp.	TM-21 Lumen Maintenance (54,000 hours)
25° C (77° F)	90%
Ambient Temp.	TM-21 Theoretical L70 (hours)
25° C (77° F)	50,000

Load Information

Power Factor	.90
THD	< 20%
Frequency	60 Hz
Low Temp Start / Max Temp	-20° C (-4° F) / 45° C (113° F)

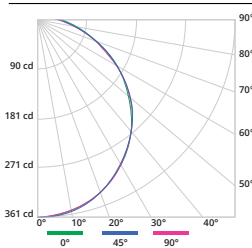
PHOTOMETRIC SAMPLE

Luminaire Data:

CCT & CRI	4000K, 80+ CRI
Delivered Lumens	1193
Wattage	11.95W
Efficacy	100
Beam Angle	50%=115° 10%=180°
Spacing	0° = 1.26 90° = 1.28

Photometric values based on tests performed in compliance with LM-63 & LM-79

Candela Plot



Candela Distribution

Angle	0°	90°
0	361	361
5	359	359
10	353	352
15	346	346
20	335	336
25	322	323
30	306	307
35	287	288
40	267	267
45	244	244
50	219	220
55	194	194
60	168	168
65	141	141
70	115	115
75	91	92
80	71	72
85	54	55
90	42	40

% Effective Ceiling Cavity Reflectance

Ceiling	80%			70%			50%			30%			10%			0%		
Wall	70	50	30	10	70	50	30	10	50	30	10	50	30	10	50	30	10	0
RCR	Zonal cavity method—Effective floor reflectance = 20%																	
0	118	118	118	118	114	114	114	114	108	108	108	102	102	102	96	96	96	94
1	106	100	96	91	102	97	93	89	92	88	85	87	84	81	82	80	78	75
2	96	87	79	73	92	84	78	72	80	74	69	76	71	67	72	68	64	62
3	87	76	67	60	84	74	66	59	70	63	58	66	61	56	63	58	54	52
4	79	67	58	51	77	65	57	50	62	55	49	59	53	47	56	51	46	44
5	73	60	50	44	70	58	50	43	55	48	42	53	46	41	50	45	40	38
6	67	54	44	38	65	52	44	37	50	42	37	48	41	36	45	40	35	33
7	62	49	40	33	60	47	39	33	45	38	32	43	37	32	41	36	31	29
8	58	44	36	30	56	43	35	29	41	34	29	40	33	28	38	32	28	26
9	54	41	32	27	52	40	32	26	38	31	26	37	30	25	35	29	25	23
10	51	37	29	24	49	37	29	24	35	28	23	34	28	23	33	27	23	21

Zonal Lumen Summary

Zone	Lumens	% Luminaire
0-30	280.57	23.5%
0-40	460.69	38.6%
0-60	823.28	69%
0-90	1120.63	93.9%