

**DLJB CANLESS DOWNLIGHT**  
 5 CCT COLOR PREFERENCE® | TRIAC DIMMING  
 WITH INTEGRATED J-BOX

**KEY FEATURES**

- ETi SSL's patented Color Preference with 5 Selectable CCTs (2700K, 3000K, 3500K, 4000K, 5000K)
- 90+ CRI for CCTs 2700 to 4000K (JA8 Title 24 Compliant)
- IC Rated for maximum thermal management
- TRIAC dimming down to 10%—quiet and flickering free
- Wire connections inside housing—no need for recessed can or separate J-box

**SPECIFICATIONS**

**Construction**

- Durable die-cast aluminum housing design for maximum thermal management and performance
- Suitable for IC or Non-IC applications
- Matte white finish, baffle trim.

**Optics**

- High impact, polycarbonate lens, giving it the appearance of a traditional lamp
- Smooth, uniform light distribution

**Installation**

- Complete Fixture—No need for separate recessed housing or junction box
- Remodel clips included for a secure fit
- Field select one of five CCTs at installation with an integral switch located inside fixture. Factory set to 2700K.

**Electrical**

- 85,000 hour LEDs at L70 for reduced maintenance
- Operates at 120V, 60 Hz
- TRIAC dimming, down to 10%
- ETi SSL's patented 5 CCT COLOR PREFERENCE® allows for easy field-adjustable color temperature selection with switch

**Warranty**

5-Year Standard Warranty. See terms at: [ETiSSL.com/warranty/](https://ETiSSL.com/warranty/)

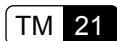
KEY DATA	
Lumen Range	711 – 1134
Wattage Range	11.2 – 14.3
Efficacy Range (LPW)	60 – 82
Reported Life (Hours)	L70 / 85,500
Input Current (mA)	130

DATE:	PROJECT:
TYPE:	NOTES:
CATALOG #:	

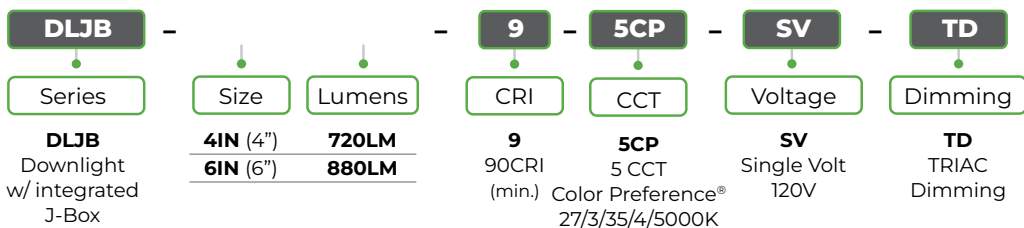


**Certifications & Test Data**

- All luminaires are built to ETL industry standards for performance and lifetime calculations
- All luminaires are cETLus listed and are built for wet location use
- Adheres to LM63, LM79, LM80 and TM21 industry standards for photometric, lumen maintenance and lifetime calculations
- ENERGY STAR® rated (See Page 2 for search info.)
- Product can be used to comply with California Title 24 Efficiency Standards
- JA8 Title 24 Compliant
- Driver rated for FCC part 15 Class B for use in residential or commercial applications
- IC Rated for direct contact with insulation



CATALOG LOGIC



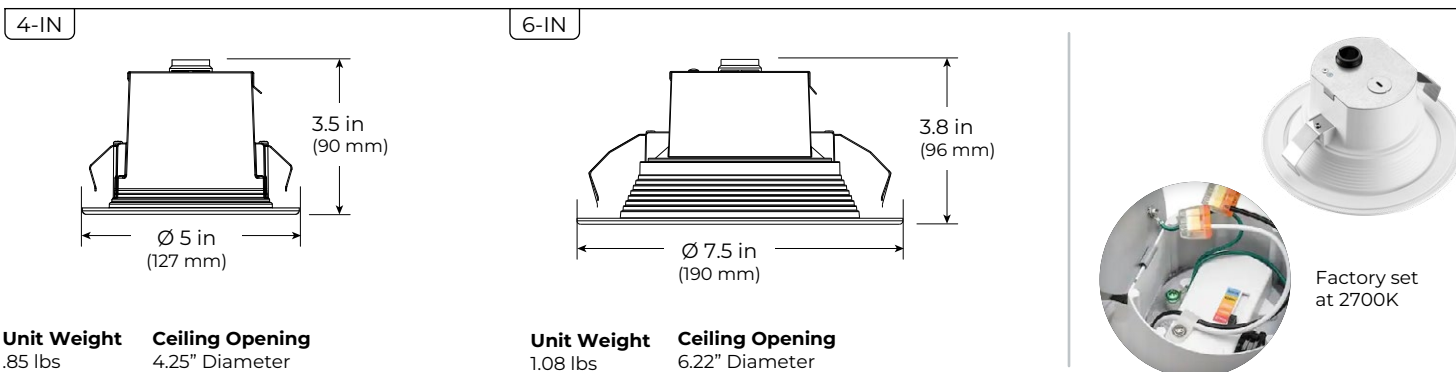
Notes:  
1. Factory set at 2700K. Installing contractor responsible for ensuring desired CCT is selected during installation.

STOCK ORDERING INFORMATION (typical 2-3 day shipment lead time)<sup>1</sup>

Catalog Part Number	Order Number	Description (Dia)	Case QTY	CRI	CCT (5CP)	Watts (Norm.)	Lumen Pkg	Delivered Lumens	LPW	Voltage	Dim	ENERGY STAR®
DLJB-4IN-720LM-9-5CP-SV-TD	538411020	4" Canless Downlight	6	90+	2700K	12	720	711	63	120V	TRIAC	Yes, Search 538411##
					3000K	12	720	777	69			
					3500K	12	720	892	79			
					4000K	12	720	926	82			
					5000K	12	720	926	82			
DLJB-6IN-880LM-9-5CP-SV-TD	538421020	6" Canless Downlight	6	90+	2700K	14	880	858	60	120V	TRIAC	Yes, Search 538421##
					3000K	14	880	933	65			
					3500K	14	880	1095	77			
					4000K	14	880	1134	79			
					5000K	14	880	1101	77			

Notes: 1. Stock SKUs typically ship in 24-48 hours upon receipt of an approved released order  
2. For more delivered lumens and test data see pages 3, or visit ETISSL.com

DIMENSIONS / DETAILS



PERFORMANCE / Data

Lumen Maintenance

Ambient Temp.	TM-21 Lumen Maintenance (54,000 hours)
25° C (77° F)	79.98%
Ambient Temp.	TM-21 Theoretical L70 (hours)
25° C (77° F)	85,500

Load Information

<b>Power Factor</b>	> .90
<b>THD</b>	< 20%
<b>Frequency</b>	60 Hz
<b>Sound Rating</b>	< 20 dBA
<b>Low Temp Start / Max Temp</b>	-25° C (-13° F) / 40° C (104° F)

PHOTOMETRIC SAMPLES

**Luminaire Data: 4" at 3500K**

CCT & CRI	<b>3500K, 90+ CRI</b>
Delivered Lumens	<b>892</b>
Wattage	<b>11.2W</b>
Efficacy	<b>79</b>
Beam Angle	<b>50%=103° 10%=149°</b>
Spacing	<b>0° = 1.26 90° = 1.22</b>

Photometric values based on tests performed in compliance with LM-63 & LM-79

**Zonal Lumen Summary**

Zone	Lumens	% Luminaire
0-30	276.16	30.90%
0-40	449.06	50.30%
0-60	761.45	85.30%
0-90	892.27	100%

**Candela Plot**

**103°**

**Candela Distribution**

Angle	0°	90°
0	358	358
5	358	355
10	353	349
15	345	339
20	334	326
25	320	311
30	302	293
35	281	271
40	257	247
45	229	218
50	197	187
55	161	154
60	125	121
65	92	89
70	61	60
75	35	34
80	14	15
85	3.2	3.6
90	0.0	0.0

**% Effective Ceiling Cavity Reflectance**

Ceiling	80%				70%				50%				30%				10%				0%	
	70	50	30	10	70	50	30	10	50	30	10	50	30	10	50	30	10	50	30	10	0	
Wall	0																					
RCR	Zonal cavity method—Effective floor reflectance = 20%																					
0	119	119	119	119	116	116	116	116	111	111	111	106	106	106	102	102	102	100				
1	110	106	102	99	107	104	100	97	99	96	94	95	93	91	92	90	88	86				
2	101	93	87	82	98	91	86	81	88	83	79	85	81	77	82	78	75	73				
3	92	83	75	69	90	81	74	68	78	72	67	75	70	66	73	69	65	63				
4	85	74	65	59	83	72	65	59	70	63	58	67	62	57	65	60	56	54				
5	78	66	57	51	76	65	57	51	63	56	50	61	55	50	59	54	49	47				
6	72	60	51	45	71	59	51	45	57	50	44	55	49	44	54	48	44	42				
7	67	54	46	40	65	53	45	40	52	45	39	50	44	39	49	43	39	37				
8	63	49	41	36	61	49	41	35	48	40	35	46	40	35	45	39	35	33				
9	59	45	38	32	57	45	37	32	44	37	32	43	36	32	42	36	32	30				
10	55	42	34	29	54	41	34	29	41	34	29	40	33	29	39	33	29	27				

**Luminaire Data: 6" at 3500K**

CCT & CRI	<b>3500K, 90+ CRI</b>
Delivered Lumens	<b>1095</b>
Wattage	<b>14.2W</b>
Efficacy	<b>77</b>
Beam Angle	<b>50%=102.3° 10%=145.6°</b>
Spacing	<b>0° = 1.24 90° = 1.24</b>

Photometric values based on tests performed in compliance with LM-63 & LM-79

**Zonal Lumen Summary**

Zone	Lumens	% Luminaire
0-30	349.5	31.9%
0-40	567.2	51.8%
0-60	957.2	87.4%
0-90	1094.8	100.0%

**Candela Plot**

**102°**

**Candela Distribution**

Angle	0°	90°
0	455	455
5	453	451
10	447	444
15	437	431
20	423	415
25	404	396
30	381	373
35	354	345
40	323	313
45	287	278
50	246	238
55	202	195
60	155	150
65	108	104
70	62	60
75	27	27
80	15	14
85	5.9	6.1
90	0.0	0.0

**% Effective Ceiling Cavity Reflectance**

Ceiling	80%				70%				50%				30%				10%				0%	
	70	50	30	10	70	50	30	10	50	30	10	50	30	10	50	30	10	50	30	10	0	
Wall	0																					
RCR	Zonal cavity method—Effective floor reflectance = 20%																					
0	119	119	119	119	116	116	116	116	111	111	111	106	106	106	102	102	102	100				
1	110	106	103	99	108	104	101	98	100	97	95	96	94	92	92	91	89	87				
2	101	94	88	83	99	92	87	82	89	84	80	85	82	78	83	79	76	74				
3	93	83	76	70	91	82	75	69	79	73	68	76	71	67	74	70	66	64				
4	86	74	66	60	83	73	66	60	71	64	59	68	63	58	66	61	57	55				
5	79	67	58	52	77	66	58	52	64	57	51	62	56	51	60	55	50	48				
6	73	60	52	46	71	60	52	46	58	51	45	56	50	45	55	49	45	43				
7	68	55	47	41	66	54	46	41	53	46	40	51	45	40	50	44	40	38				
8	63	50	42	37	62	50	42	36	48	41	36	47	41	36	46	40	36	34				
9	59	46	38	33	58	46	38	33	44	38	33	43	37	33	42	37	32	31				
10	55	43	35	30	54	42	35	30	41	34	30	40	34	30	39	34	30	28				