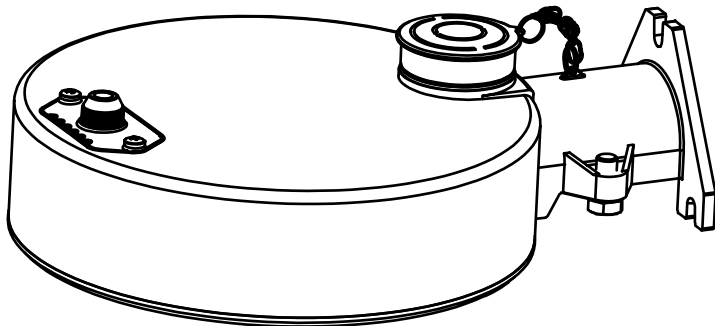


USE AND CARE GUIDE

LED OUTDOOR AREA LIGHT



Questions, problems, missing parts?

Call ETi SSL Customer Service

8:30 a.m. – 5 p.m., EST, Monday - Friday

1-855-ETI-SSL1 (1-855-384-7754)



www.ETiSSL.com



THANK YOU

Thank you for purchasing our LED product.

Visit us online at www.ETiSSL.com to see our full line of LED products. Thank you for choosing ETi SSL!

Table of Contents

Table of Contents	2	Package Contents	3
Safety Information	2	Hardware Included	3
Warranty	2	Installation	4-6
Pre-Installation	3	Care & Cleaning	7
Planning Installation	3	Troubleshooting	7
Tools Required	3		

Safety Information



WARNING: Carefully read and understand the information given in this manual before beginning the assembly and installation. Failure to do so could lead to electric shock, fire, or other injuries which could be hazardous or even fatal.



WARNING: Ensure the electricity to the wires you are working on is shut off. Either remove the fuse or turn off the circuit breaker.

NOTICE: This equipment has been tested and found to comply with the limits for a Class B digital device, pursuant to Part 15 of the FCC Rules. These limits are designed to provide reasonable protection against harmful interference in a residential installation. This equipment generates, uses and can radiate radio frequency energy and, if not installed and used in accordance with the instructions, may cause harmful interference to radio communications.

However, there is no guarantee that interference will not occur in a particular installation. If this equipment does cause harmful interference to radio or television reception, which can be determined by turning the equipment off and on, the user is encouraged to try to correct the interference by one or more of the following measures:

- Reorient or relocate the receiving antenna.
- Increase the separation between the equipment and the receiver.
- Connect the equipment into an outlet on a circuit different from that to which the receiver is connected.
- Consult the dealer or an experienced radio/TV technician for help.



WARNING: Changes or modifications not expressly approved by the party responsible for compliance could void the user's authority to operate the equipment.

Warranty

WHAT IS COVERED

The manufacturer warrants this lighting fixture to be free from defects in materials and workmanship for a period of five (5) years from date of purchase. This warranty applies only to the original consumer purchaser and only to products used in normal use and service. If this product is found to be defective, the manufacturer's only obligation, and your exclusive remedy, is the repair or replacement of the product at the manufacturer's discretion, provided that the product has not been damaged through misuse, abuse, accident, modifications, alterations, neglect, or mishandling.

WHAT IS NOT COVERED

This warranty shall not apply to any product that is found to have been improperly installed, set-up, or used in any way not in accordance with the instructions supplied with the product. This warranty shall not apply to a failure of the product as a result of an accident, misuse, abuse, negligence, alteration, faulty installation, or any other failure not relating to faulty material or workmanship. This warranty shall not apply to the finish on any portion of the product, such as surface and/or weathering, as this is considered normal wear and tear.

The manufacturer does not warrant and specifically disclaims any warranty, whether express or implied, of fitness for a particular purpose, other than the warranty contained herein. The manufacturer specifically disclaims any liability and shall not be liable for any consequential or incidental loss or damage, including but not limited to any labor / expense costs involved in the replacement or repair of said product.

Contact the Customer Service Team at 1-855-384-7754 or visit www.ETISSL.com.

Pre-Installation

PLANNING INSTALLATION

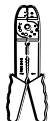
Before beginning assembly, installation, or operation of the product, make sure all parts are present. Compare parts with the package contents list and hardware contents list. If any part is missing or damaged, do not attempt to assemble, install, or operate the product. Contact Customer Service for replacement parts.



NOTE: Keep your receipt and these instructions for proof of purchase.

If you are unfamiliar with electrical installations, we recommend you contact a qualified electrician to do the installation.

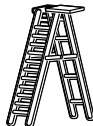
TOOLS REQUIRED



Wire Strippers



Safety Goggles



Ladder



Gloves



Wire Cutters



Electrical Tape



Power Drill with Drill Bits



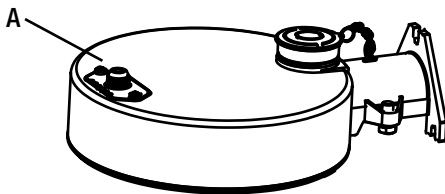
Fixed board hand



Silicone Sealant

PACKAGE CONTENTS

Part	Description	Quantity
A	LED Area Light	1



HARDWARE INCLUDED



NOTE: Hardware not shown to actual size.

Part	Description	Quantity
AA	Wire Connector	3
BB	Hexagon Socket Mounting Screw	3
CC	Mounting Template	1
DD	Pole Clamp (for optional pole mount installation only)	1



___ AA



___ BB



___ CC



___ DD

Installation



WARNING: RISK OF ELECTRIC SHOCK. Ensure the electricity to the wires you are working on is shut off. Either remove the fuse or turn off the circuit breaker before removing the existing light fixture or installing the new one.

With power disconnected to the electrical box, remove the existing fixture. Make a sketch of how the current fixture is wired (by wire color) or mark the wires with masking tape and a pencil so you will know how to properly reconnect the wires to the new LED light fixture.



NOTE: Recommended installation height is 3.9 ft. or above.

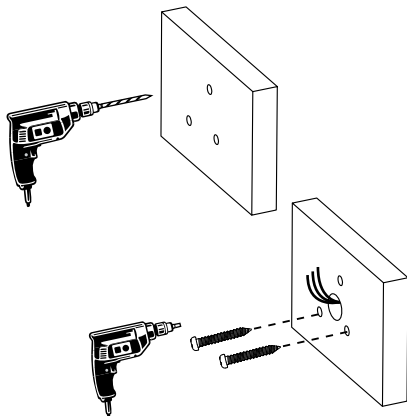
1 Attaching the mounting screws to the wall

For new installation:

- Mark the hole locations on the wall using the included template (CC).
- Drill 1/4 in. diameter pilot holes at the marked locations, ensuring that the two screw positions at the bottom are level with each other.

For replacement installation or for new installation:

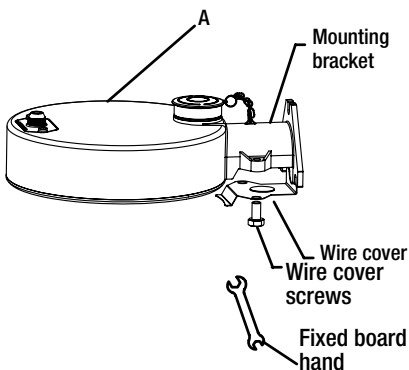
- Install two hexagon socket mounting screws (BB) in the bottom holes, leaving about 3/8 in. space under the head.



NOTE: Hardware included is for mounting to wood surfaces only. Ensure that the fixture is mounted onto a structurally sound surface that will support the fixture.

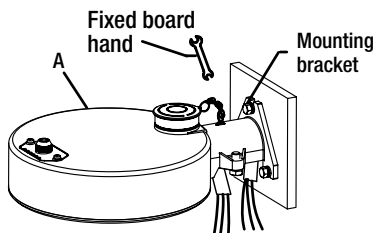
2 Preparing the fixture for mounting

- Remove the wire cover from the fixture arm on the area light (A) using the Fixed board hand.
- Put the wire cover screws aside until ready for reassembly in a later step.



3 Mounting the light fixture

- Slide the mounting bracket on the fixture arm of the area light (A) onto the two bottom hexagon socket mounting screws (BB) inserted in the wall.
- Install the third hexagon socket mounting screw (BB) at the top of the mounting bracket and tighten securely using the Fixed board hand.
- Tighten the two hexagon socket mounting screws (BB) at the bottom of the mounting bracket on the fixture arm with the Fixed board hand.



4 Making the electrical connections



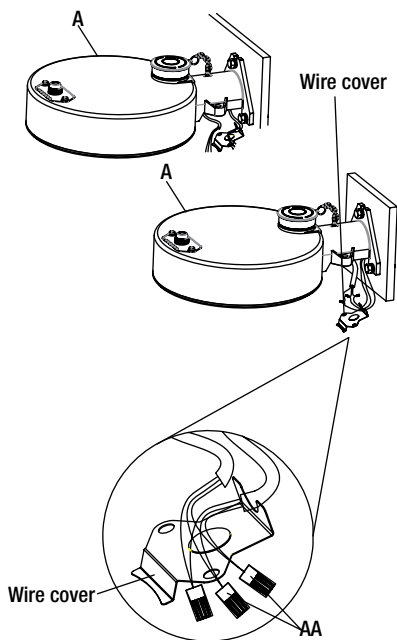
NOTE: This fixture is intended for use with an electrical box, conduit, and conduit connectors that are UL rated for wet locations and are properly installed and grounded.

- For electrical wires coming from the wall at the position of the fixture, feed the wires from the wall through the vertical opening on the end of the wire cover. See Option A drawing below.
- For electrical wires running through conduit or a raceway from an electrical box mounted to the wall, feed the wires through the horizontal opening in the bottom of the wire cover. See Option B drawing below.
- Connect the hot and neutral (black and white) wires from the fixture arm on the area light (A) to the same color wires from the electrical box in the wall.
- Connect the green wire from the fixture arm on the area light (A) to the grounding wire from the electrical box in the wall.
- Cover the wire connections using the wire connectors (AA).
- Wrap the wire connectors (AA) with electrical tape for a more secure connection.

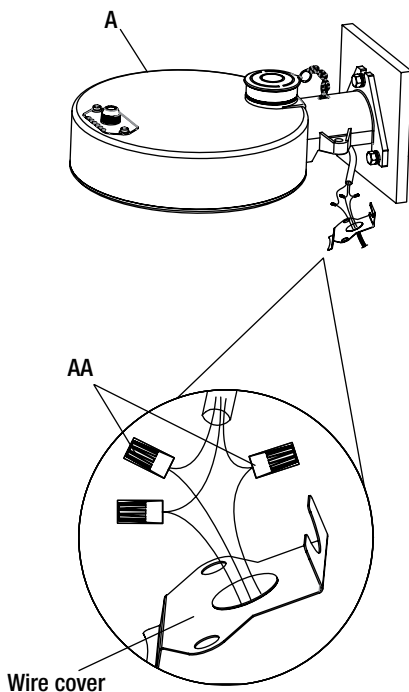


NOTE: If electrical box wiring does not include a ground wire, consult your local electrical code for approved grounding methods.

Option A



Option B



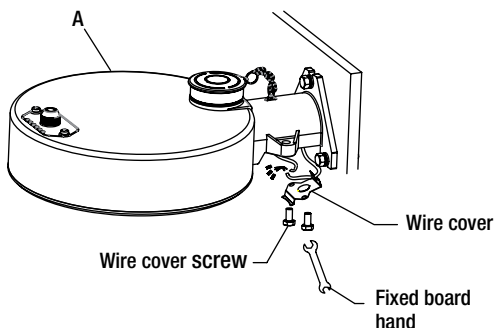
5 Reinstalling the wire cover

- Insert the wires and wire connectors into the fixture arm on the area light (A).
- Reattach the wire cover to the fixture arm on the area light (A) with the wire cover screws removed earlier using the Fixed board hand.

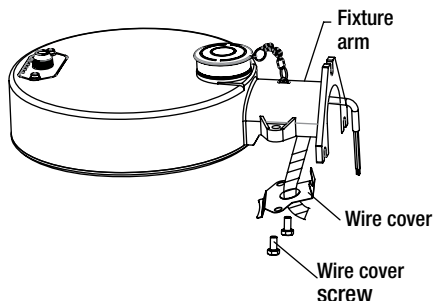


NOTE: Compatible with 1-5/8 in. mounting pole (available for purchase separately). For pole installation, use the pole clamp (DD) instead of the wire cover.

Option A



Option B

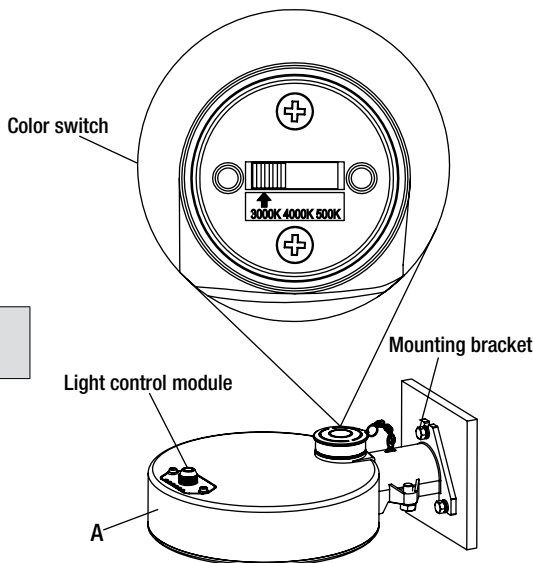


6 Restoring power

- Restore power at the electrical panel.
- Turn on the light switch to activate the fixture.
- Switch the color (3000K/4000K/5000K) via color switch.
- Seal the area where the mounting bracket on the area light (A) meets the wall with silicone sealant.



NOTE: Test fixture at night or block the photocell to determine if the fixture is lighting properly.



Care & Cleaning



CAUTION: Before attempting to clean the fixture, disconnect the power to the fixture by turning the breaker off or removing the fuse from the fuse box.

- Clean the fixture with a soft, dry cloth.
- Do not use cleaners with chemicals, solvents, or harsh abrasives.

Troubleshooting



WARNING: Before doing any work on the fixture, disconnect power to the light fixture.

Minor problems often can be fixed without the help of an electrician.

Problem	Possible Cause	Corrective Action
The fixture will not light.	The power is off.	Ensure the power supply is on.
	The circuit breaker is off.	Ensure the circuit breaker is in the on position.
	There is a bad connection.	Check to ensure proper wire connections are made. Contact a qualified electrician.
	There is a defective switch.	Contact a qualified electrician.
	The photocell is not working.	Replace the photocell according to the instructions in the Maintenance section of this Use and Care Guide.
The light will not turn off.	The photocell is not working.	Replace the photocell according to the instructions in the Maintenance section of this Use and Care Guide.
The fuse blows or the circuit breaker trips when the light is turned on.	The wires are crossed or the power wire is grounding out.	Check the wire connections. Contact a qualified electrician or call ETi customer service at 1-855-384-7754.



Questions, problems, missing parts? Before returning to the store,
call Commercial Electric Customer Service
8 a.m. – 7 p.m., EST, Monday - Friday
9 a.m. - 6 p.m., EST, Saturday

1-855-384-7754

www.ETiSSL.com

Retain this manual for future use.